



## ALABAMA DEPARTMENT OF TRANSPORTATION

1409 Coliseum Boulevard, Montgomery, Alabama 36110  
Bureau of Office Engineer  
Plans and Proposals Section  
Telephone: 334-242-6444 FAX: 334-264-7976  
[www.dot.state.al.us](http://www.dot.state.al.us)




Kay Ivey  
Governor

John R. Cooper  
Transportation Director

September 12, 2022

### MEMORANDUM

To: Proposal Holders

From: Bryan E. Nichols  
Assistant Bureau Chief 

Subject: RACR-041-014-001  
Lee County  
September 30, 2022 Letting

Enclosed are the Revised Plan Sheet Nos. 1A & 2 for the above referenced project. See the attached letter from Mr. Daryl Calhoun, dated September 12, 2022.

Prospective bidders are advised to download the amended .ebs files from the ALDOT website or the Bid Express website.

It is the bidder's responsibility to notify vendors, suppliers and subcontractors of this change.

This change must be incorporated into your proposal and used in the preparation of your bid. Failure to do so may cause your bid to be considered irregular and non-responsive and may result in the automatic rejection of your bid.

BEN/jss

Attachment

cc: Mr. Steve Graben, P.E.

Tracy Hamil, P.E. on behalf of  
State Construction Engineer



# ALABAMA DEPARTMENT OF TRANSPORTATION

SOUTHEAST REGION  
OFFICE OF REGION ENGINEER  
CAPITOL COMMERCE CENTER  
100 CAPITOL COMMERCE BLVD.  
SUITE 210, BUILDING B  
MONTGOMERY, ALABAMA 36117

Telephone: (334) 353-6850 FAX: (334)801-9804



Kay Ivey  
Governor

John R. Cooper  
Transportation Director

September 12, 2022

Mr. Joe H. Lister, Jr., P.E.  
State Office Engineer  
Alabama Department of Transportation  
1409 Coliseum Boulevard  
Montgomery, AL 36110

RE: Project No. RACR-041-014-001  
Concrete Paving on SR-14 at Quarry Entrance at Approximately Milepost 210.29  
(Ready Mix)  
Lee County  
CPMS PE: 100074063  
CPMS CN: 100075197

Dear Mr. Lister:

Please find attached the revised and flagged sheets for Flag Revision 1 to the above referenced project:

- Sheet 1A, Revised Sheet # 2
- Sheet 2, Maximum Pavement width of existing and proposed changed in top typical, beginning station changed in bottom typical and ending station changed in top typical. The centerline label was moved to the inside edge of the Eastbound Lane.

This project is currently scheduled for a September 30, 2022 letting. Please furnish a copy of the revision to each of the prospective bidders. Also attached is Plans and Proposal's Q and A.

Sincerely,

Daryl Calhoun  
Assistant Pre-Construction Administrator,  
Southeast Region -- Programs

DC/mgs/slh  
Attachment

pc: Mr. Steven Graben  
Mr. David Bohannon  
Mr. Wes Fulmer  
Project File

# INDEX TO SHEETS AND SPECIAL & STANDARD DRAWINGS

REFERENCE PROJECT NO	FISCAL YEAR	SHEET NO
RACR-041-014-001	2022	1A

THE FOLLOWING ARE SPECIAL OR STANDARD DRAWINGS CONTAINED IN THE ALABAMA DEPARTMENT OF TRANSPORTATION SPECIAL & STANDARD HIGHWAY DRAWINGS BOOK (U.S. CUSTOMARY UNITS OF MEASUREMENT) DATED 2022, WHICH APPLY TO THIS PROJECT:

INDEX TO SHEETS

1..... TITLE SHEET

1A .....INDEX TO SHEETS AND SPECIAL & STANDARD DRAWINGS

1B ..... PLANS LEGEND SHEET

1C ..... PLANS LEGEND SHEET ABBREVIATIONS

1D ..... PRIMARY SURVEY CONTROL & GEOMETRIC LAYOUT

▶ 2..... TYPICAL SECTIONS

2A..... PROJECT NOTES

2B..... GENERAL TRAFFIC CONTROL PLAN NOTES

3-3B..... SUMMARY OF QUANTITIES

4-6..... PLAN SHEET

7-9..... OMITTED

10-12..... PAVING LAYOUT

13..... JOINT LAYOUT

14-15..... OMITTED

16-18..... SIGNING AND STRIPING LAYOUT

19..... OMITTED

20-22..... UTILITY SHEET

23-24..... OMITTED

25..... EROSION & SEDIMENT CONTROL LEGEND SHEET

26-28..... EROSION CONTROL PLAN

29-30..... OMITTED

31..... SPECIAL PROJECT DETAIL - DETAILS SHOWING APPLICATION OF PAVEMENT MARKERS FOR 3 LANE ROADWAYS

32..... SPECIAL PROJECT DETAIL - STRIPING DETAILS FOR 3 LANE ROADWAYS

33-34..... OMITTED

35..... TEMPORARY TRAFFIC CONTROL PLAN - SEQUENCE OF CONSTRUCTION

36-38..... TEMPORARY TRAFFIC CONTROL PLAN - DETAILS

39-41..... TEMPORARY TRAFFIC CONTROL PLAN - PHASE II

42-44..... TEMPORARY TRAFFIC CONTROL PLAN - PHASE II

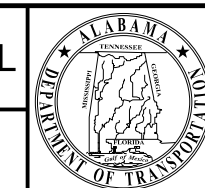
INDEX NO.	DRAWING NO.	DESCRIPTION
45013	CPJ-450 (SHEET 1 OF 2)	DETAILS OF STANDARD PLAIN AND REINFORCED CEMENT CONCRETE PAVEMENT AND BRIDGE END SLAB JOINTS
45014	CPJ-450 (SHEET 2 OF 2)	DETAILS OF STANDARD PLAIN AND REINFORCED CEMENT CONCRETE PAVEMENT AND BRIDGE END SLAB JOINTS
45017	DSA-450 (SHEET 1 OF 3)	DOWEL SUPPORT ASSEMBLY FOR CONCRETE PAVEMENT FOR 10" and 13" THICK SLABS
45018	DSA-450 (SHEET 2 OF 3)	DOWEL SUPPORT ASSEMBLY FOR CONCRETE PAVEMENT FOR 10" and 13" THICK SLABS
45019	DSA-450 (SHEET 3 OF 3)	DOWEL SUPPORT ASSEMBLY FOR CONCRETE PAVEMENT FOR 10" and 13" THICK SLABS
45401	JC-454 (SHEET 1 OF 2)	TYPE-1 EXISTING CONCRETE PAVEMENT JOINT AND CRACK SEAL
62307	623-XY	DETAILS OF CONCRETE CURBS AND CONCRETE CURB & GUTTER COMBINATIONS, SLOPING AND VERTICAL TYPES
65901	ESC-509	DETAILS OF ROLLED AND HYDRAULIC EROSION CONTROL PRODUCT INSTALLATION
66501	ESC-100-1	BEST MANAGEMENT PRACTICE REFERENCE MATRIX
66502	ESC-100-2	BEST MANAGEMENT PRACTICE REFERENCE MATRIX
66505	ESC-200-1	TYPICAL TEMPORARY EROSION / SEDIMENT CONTROL APPLICATIONS
66506	ESC-200-2	DETAILS OF TEMPORARY SLOPE DRAIN, BERMS, AND ENERGY DISSIPATOR
66507	ESC-200-3	DETAILS OF SEDIMENT BARRIER APPLICATIONS
66508	ESC-200-4	DETAILS OF SILT FENCE INSTALLATION
66509	ESC-200-5	DETAILS OF SEDIMENT RETENTION BARRIER
66512	ESC-300-1	DITCH CHECK STRUCTURES, TYPICAL APPLICATIONS AND DETAILS
66513	ESC-300-2	DETAILS OF HAY BALE DITCH CHECKS
66514	ESC-300-3	DETAILS OF SANDBAG DITCH CHECK
66515	ESC-300-4	DETAILS OF EROSION CONTROL WATTLE DITCH CHECKS
66516	ESC-300-5	DETAILS OF SILT DIKE DITCH CHECKS
66517	ESC-300-6	DETAILS OF ROCK DITCH CHECKS
66518	ESC-300-7	DETAILS OF ROCK DITCH CHECKS WITH SUMP EXCAVATION
66519	ESC-300-8	DETAILS OF SILT FENCE DITCH CHECKS
66522	ESC-400-1	INLET PROTECTION TYPICAL APPLICATIONS AND DETAILS
66523	ESC-400-2	INLET PROTECTION DETAILS FOR COARSE AGGREGATE ON GRADES & SAGS
66524	ESC-400-3	INLET PROTECTION DETAILS OF WATTLES
66525	ESC-400-4	INLET PROTECTION DETAILS OF SILT FENCE
66526	ESC-400-5	INLET PROTECTION DETAILS OF SAND BAGS
66529	ESC-501	FLOATING BASIN BOOM
66532	ESC-502	STABILIZED CONSTRUCTION ENTRANCE
66535	ESC-503	TEMPORARY DEWATERING STRUCTURES
66538	ESC-504	TEMPORARY CULVERT STREAM CROSSING
66541	ESC-505	TEMPORARY STREAM DIVERSION
66544	ESC-506-1	SUSPENDED PIPE DIVERSION (DOWNSTREAM)
66545	ESC-506-2	SUSPENDED PIPE DIVERSION (UPSTREAM)
66548	ESC-507	TEMPORARY SEDIMENTATION BASIN
67201	ESC-508	FLOCCULANT USAGE GUIDE
68001	GN-2 NOTES	STANDARD DESIGN NOTES FOR PLAN ASSEMBLIES
70101	PS-701-6	DETAILS OF TRAFFIC STRIPING FOR 2 LANE HIGHWAYS
70104	197-NPL	DETAILS NO PASSING LINES FOR TWO LANE, TWO DIRECTION ROADWAY
70301	TCM-703 (SHEET 1 OF 2)	PAVEMENT LEGENDS AND MARKINGS
70302	TCM-703 (SHEET 2 OF 2)	PAVEMENT LEGENDS AND MARKINGS
70501	PM-705-1	DETAILS OF PAVEMENT MARKERS CLASS A, A-H, AND B
70504	PM-705-2	DETAILS SHOWING APPLICATION OF PAVEMENT MARKERS
71017	IHS-710-12	DETAILS OF ROADWAY SIGN POST (SMALL CHANNEL AND TUBULAR SECTION)
71032	IHS-710-21	DETAILS FOR LOCATION AND MOUNTING STANDARD FLAT PANEL SIGNS ON U-CHANNEL AND TUBULAR POSTS
71035	IHS-710-23	LIGHTWEIGHT STRUCTURAL SIGN SUPPORT INSTALLATIONS
71060	SHS-1	STANDARD HIGHWAY SIGNS
71065	SHS-6	STANDARD HIGHWAY SIGNS
71067	SHS-8	STANDARD HIGHWAY SIGNS
71069	SHS-10	STANDARD HIGHWAY SIGNS
71090	SHS-26	STANDARD HIGHWAY SIGNS
71093	SHS-29	STANDARD HIGHWAY SIGNS
71094	SHS-30	STANDARD HIGHWAY SIGNS
71094	SHS-31	STANDARD HIGHWAY SIGNS
72601	PNJB-629 (SHEET 1 OF 2)	350, TL-3 PREVIOUSLY CAST CONCRETE BARRIER - TYPE 6 (PORTABLE)
72630	IA-720-MWS	DETAILS OF SLED SYSTEM IMPACT ATTENUATOR (MASH) (WORK ZONE ONLY)
72631	IA-720-MWA	DETAILS OF ABSORB - M SYSTEM IMPACT ATTENUATOR (MASH) (WORK ZONE ONLY)
72651	IA-720-M	DETAIL OF QUADGUARD ELITE IMPACT ATTENUATOR (WORK ZONE ONLY)
72652	IA-720-N	DETAILS OF QUEST SYSTEM IMPACT ATTENUATOR (WORK ZONE ONLY)
72653	IA-720-Z	DETAILS OF ACZ-350 IMPACT ATTENUATOR (WORK ZONE ONLY)
72654	IA-720-P	DETAILS OF TRITON IMPACT ATTENUATOR (WORK ZONE ONLY)
72655	IA-720-Q	DETAILS OF QUARDGUARD SYSTEM IMPACT ATTENUATOR (WORK ZONE ONLY)
72656	IA-720-T	DETAIL OF TRACC IMPACT ATTENUATOR (WORK ZONE ONLY)
72657	IA-720-V	DETAILS OF ABSORB 350 IMPACT ATTENUATOR (WORK ZONE ONLY)
72658	IA-720-W	DETAILS OF TAU-II SYSTEM IMPACT ATTENUATOR (WORK ZONE ONLY)
72659	IA-720-X	DETAILS OF SCI (TL-2) IMPACT ATTENUATOR (WORK ZONE ONLY)
74001	B-107-2	PERFORATED SQUARE STEEL TUBING (PSST) BARRICADES TYPE I, TYPE II, AND TYPE III & VERTICAL PANELS TYPE I AND TYPE II
74007	TCD-100	DETAILS FOR TRAFFIC CHANNELIZATION DEVICES
74201	PCMS-710 (SHEET 1 OF 3)	DETAILS OF PORTABLE CHANGEABLE MESSAGE SIGNS (PCMS)
74202	PCMS-710 (SHEET 2 OF 3)	DETAILS OF PORTABLE CHANGEABLE MESSAGE SIGNS (PCMS)
74203	PCMS-710 (SHEET 3 OF 3)	DETAILS OF PORTABLE CHANGEABLE MESSAGE SIGNS (PCMS)

▶ 9/12/2022 CEW  
REVISED SHEET #2.



2400 5th Avenue South, Suite 200  
Birmingham, AL 35233  
T 205.879.4462  
GMCNETWORK.COM

PLAN SUBMITTAL



**ALABAMA DEPARTMENT OF TRANSPORTATION**

SHEET TITLE  
INDEX TO SHEETS AND SPECIAL & STANDARD DRAWINGS

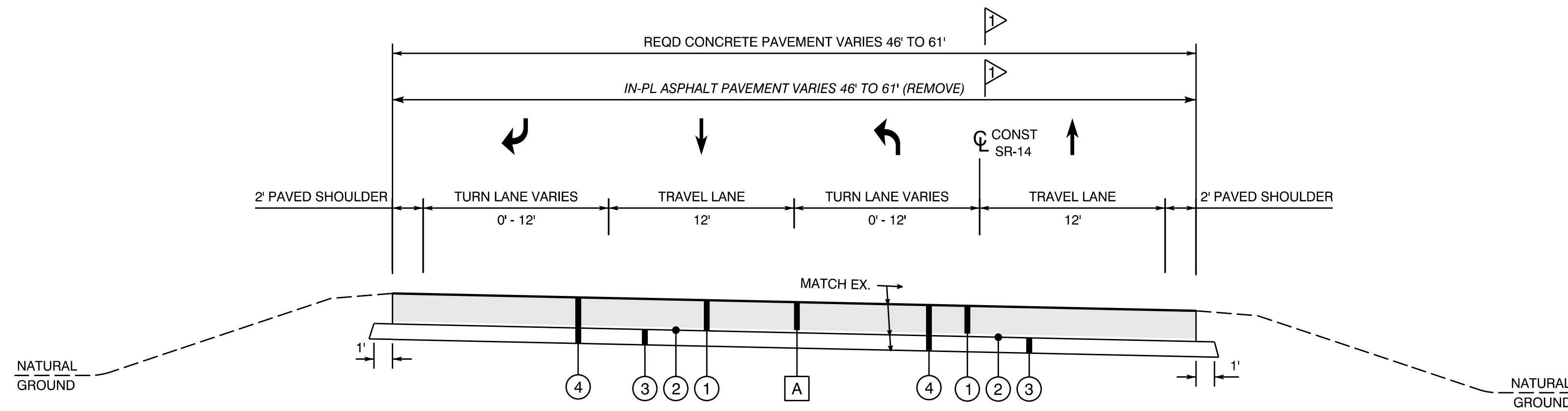
ROUTE

SR-14

# TYPICAL SECTIONS

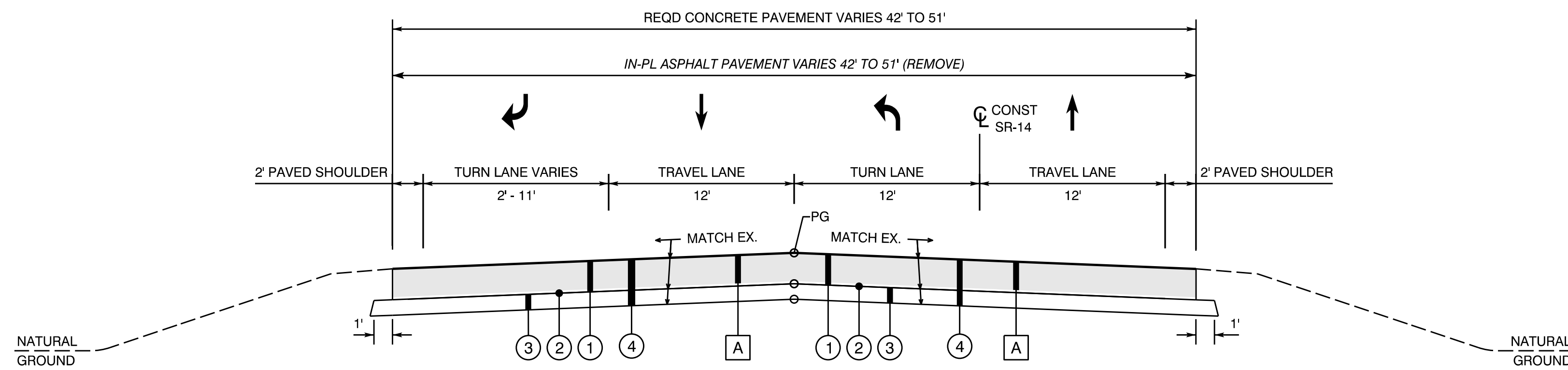
REFERENCE PROJECT NO	FISCAL YEAR	SHEET NO
RACR-041-014-001	2022	2

PROJECT NOTES  
200  
201



TYPICAL SECTION TO BE USED FOR:

SR-14  
STA 99+15.00 TO STA 105+16.49

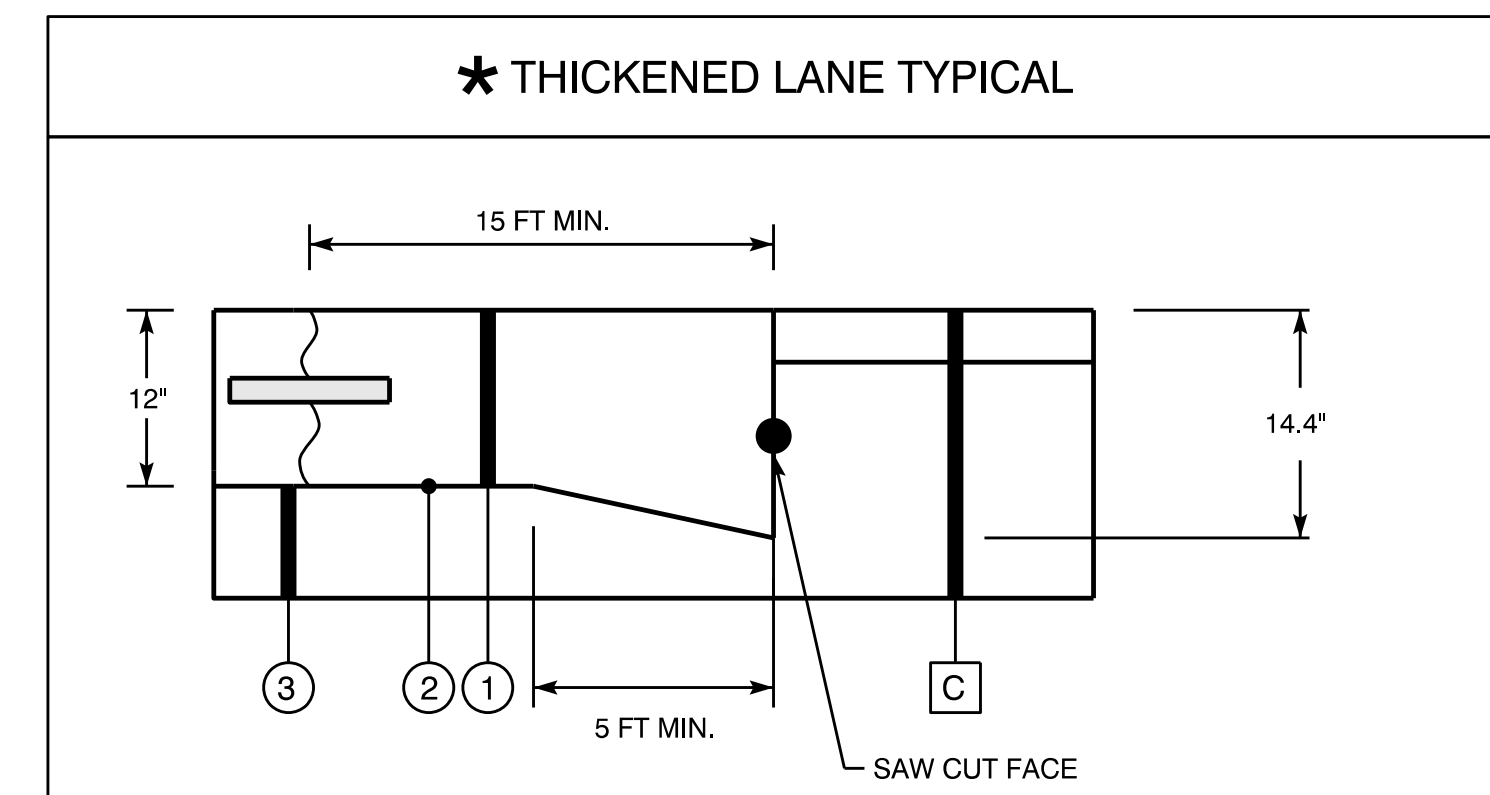


TYPICAL SECTION TO BE USED FOR:

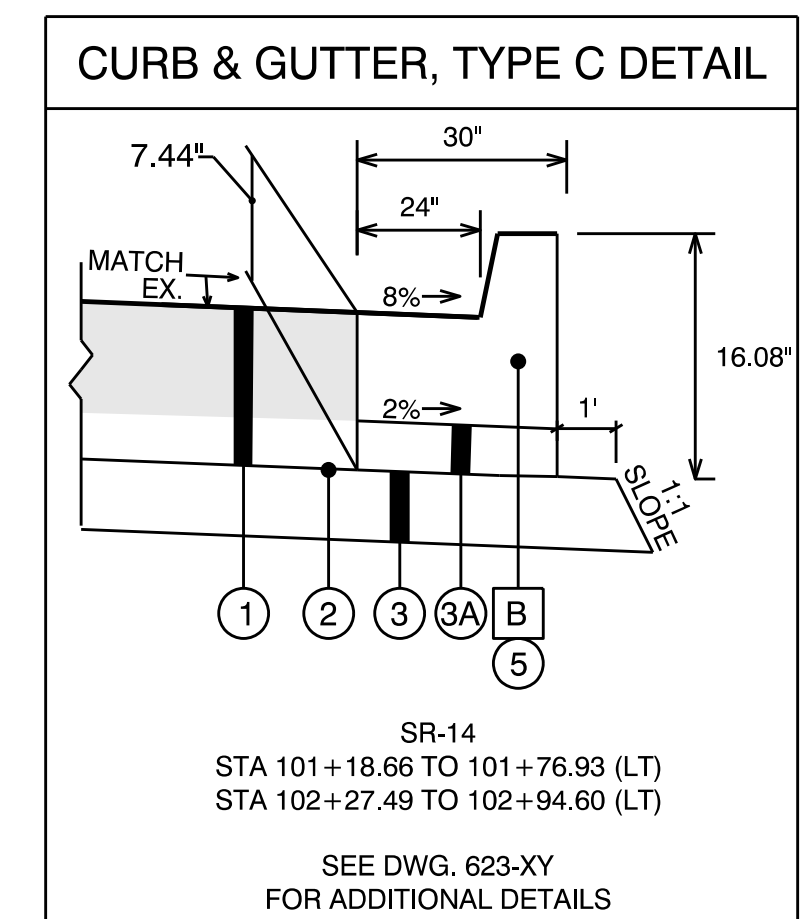
SR-14  
STA 96+65.33 TO STA 99+15.00

9/12/2022 CEW  
MAXIMUM PAVEMENT WIDTH OF EXISTING AND PROPOSED CHANGED IN TOP TYPICAL, BEGINNING STATION CHANGED IN BOTTOM TYPICAL AND ENDING STATION CHANGED IN TOP TYPICAL. THE CENTERLINE LABEL WAS MOVED TO THE INSIDE EDGE OF THE EASTBOUND LANE.

REQUIRED MATERIALS LEGEND		
LEGEND	ITEM NO.	DESCRIPTION
A	-----	IN-PLACE BITUMINOUS PAVEMENT (REMOVE)
B	-----	IN-PLACE CURB & GUTTER (REMOVE)
C	-----	IN-PLACE BASE AND PAVEMENT (RETAIN)
1	450A-007	PLAIN CEMENT CONCRETE PAVEMENT, 12 INCHES THICK
2	401A-000	BITUMINOUS TREATMENT A (WIDTH VARIES 42 FT - 52 FT)
3	305B-077	CRUSHED AGGREGATE, SECTION 825, FOR MISCELLANEOUS USE (6" THICK)
3A	305B-077	CRUSHED AGGREGATE, SECTION 825, FOR MISCELLANEOUS USE (4" THICK)
4	210A-000	UNCLASSIFIED EXCAVATION
5	623C-000	COMBINATION CURB & GUTTER, TYPE C



\* NOTE: PLACE A THICKENED EDGE AT THE TRANSITION BETWEEN THE CONCRETE AND ASPHALT PAVEMENTS AT THE TRAFFIC APPROACH AND DEPARTURE POINTS. COST OF THIS THICKENED EDGE SHALL BE A SUBSIDIARY OBLIGATION OF 450A-007.



SR-14  
STA 101+18.66 TO 101+76.93 (LT)  
STA 102+27.49 TO 102+94.60 (LT)  
SEE DWG. 623-XY FOR ADDITIONAL DETAILS

