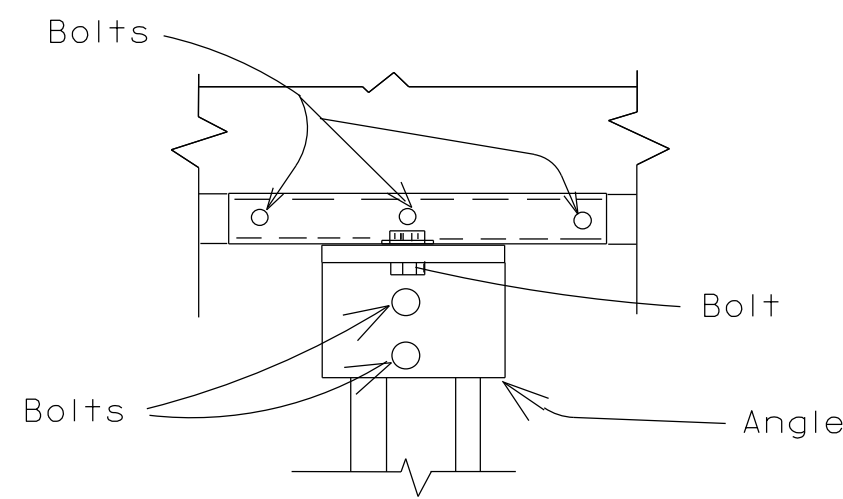
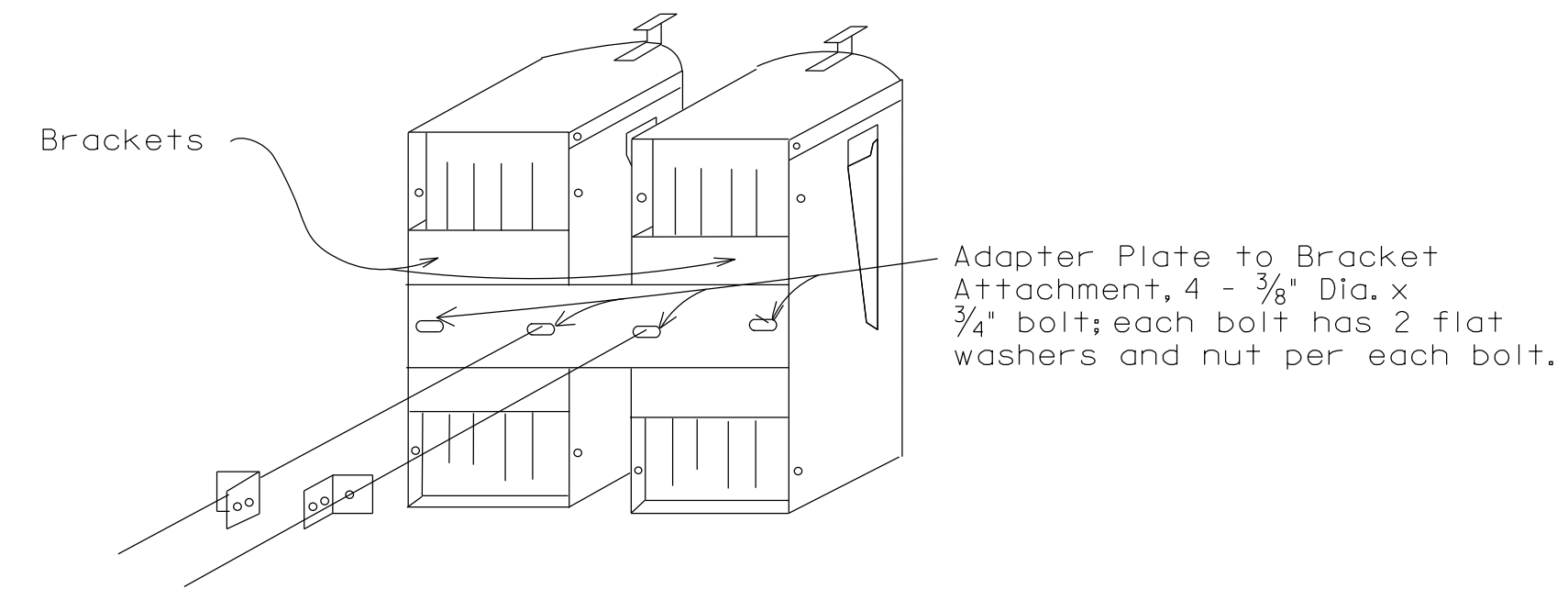


SINGLE AND DOUBLE MAILBOX MOUNT



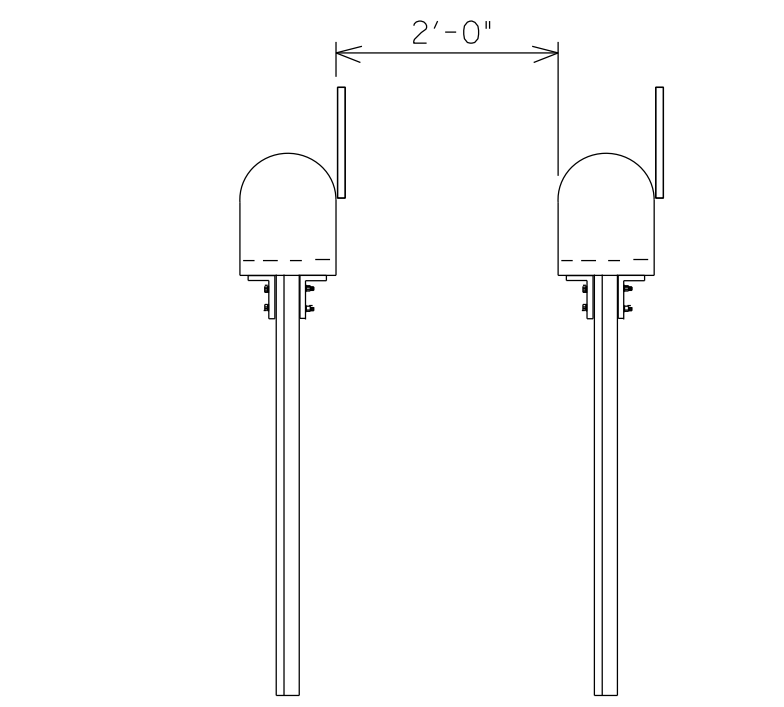
For bolt sizes see notes for Standard Mailbox Attachment Details

DETAIL A
SINGLE MAILBOX MOUNT



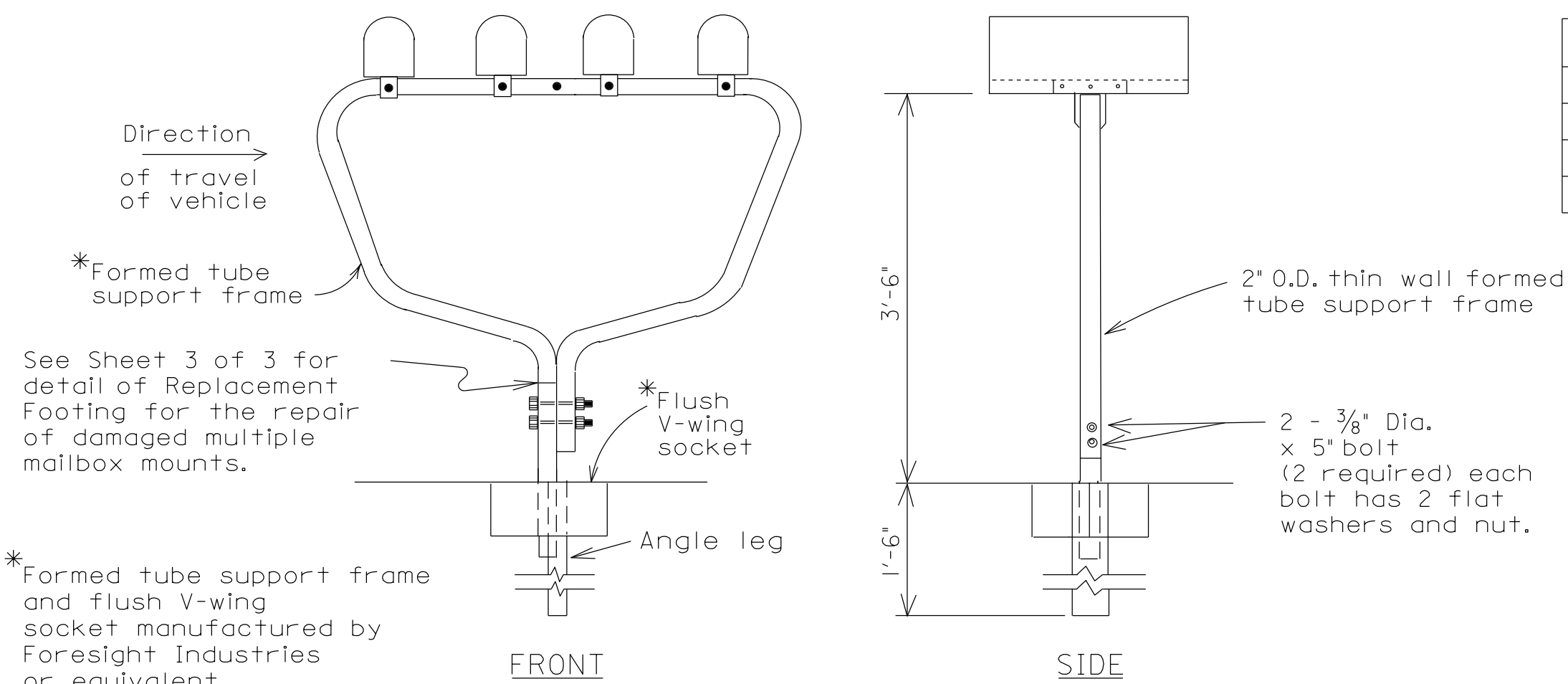
DETAIL B
DOUBLE MAILBOX MOUNT

(Not permitted for No.2 Mailboxes)



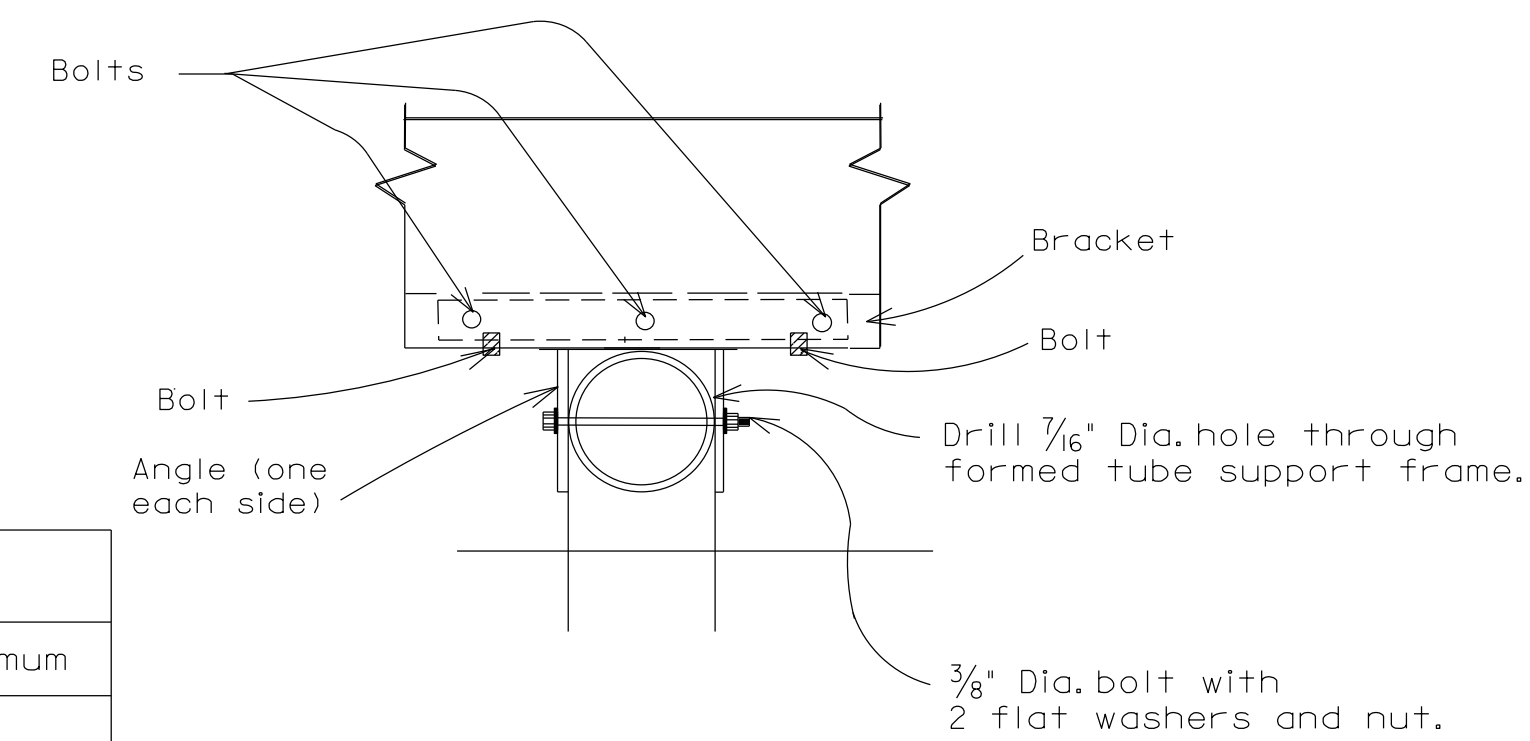
TWO SINGLE MAILBOX INSTALLATIONS

2'-0" Clear Distance between installations



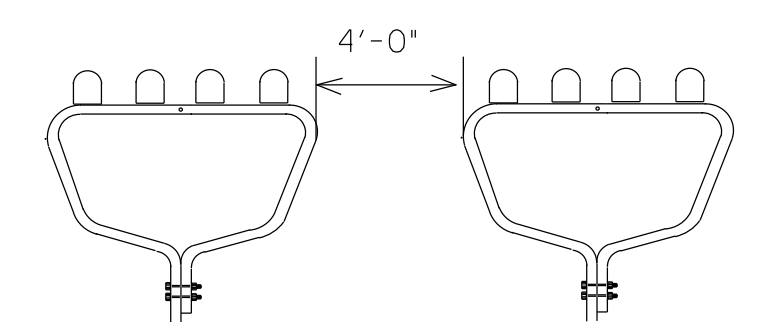
Mailbox Dimensions			
	Length	Width	Height
Size No. 1	19"	6 1/2"	8 1/2"
Size No. 2	21"	8"	10 1/2"
Size No. 3	23 1/2"	11 1/2"	13 1/2"

Permissible Number of Mailboxes on Multiple Support:	
All Size No. 1	5 Maximum
Combination Various Sizes with no more than 2 size No. 2 or size No. 3	4 Maximum
All Size No. 2 and No. 3	3 Maximum



SECTION B-B

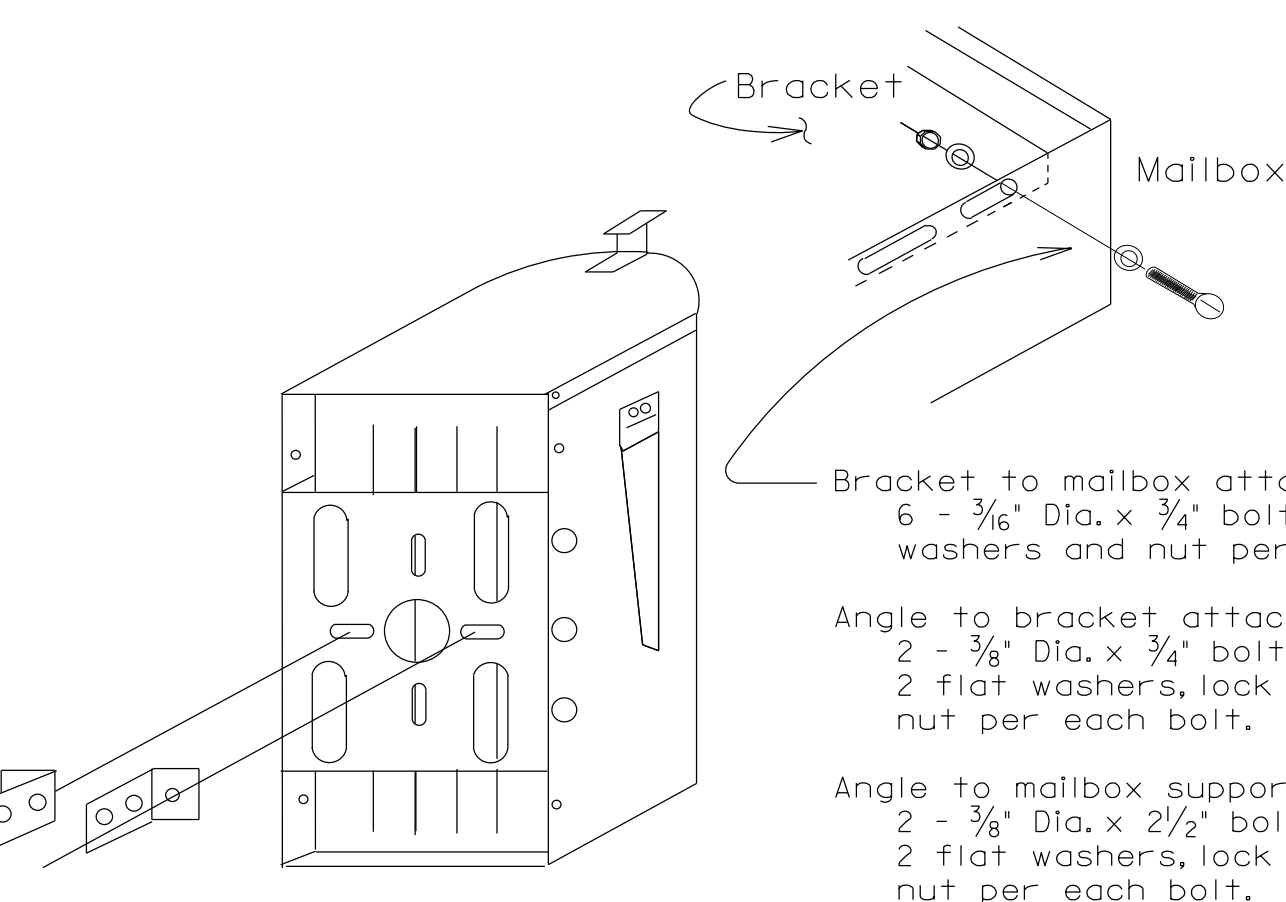
For bolt sizes see notes for Standard Mailbox Attachments Details



TWO OR MORE MULTIPLE MAILBOX INSTALLATIONS

4'-0" Clear Distance between installations.

Maximum insertion depth of formed tube support frame into V-wing socket is 9". Minimum insertion depth is 7".

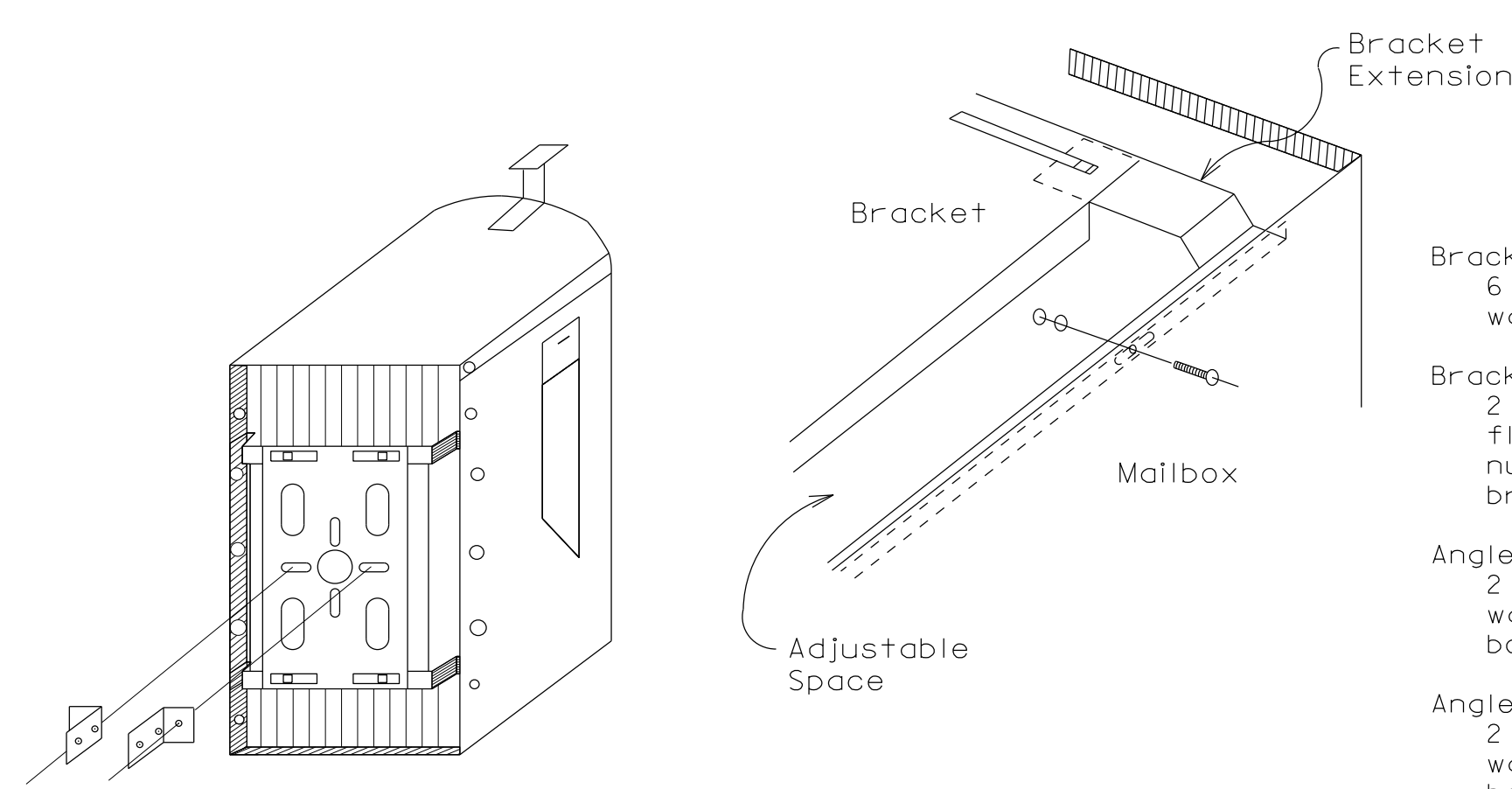


SIZE NO. 1 MAILBOX

Bracket to mailbox attachment: 6 - 3/16" Dia. x 3/4" bolt w/2 flat washers and nut per each bolt.

Angle to bracket attachment: 2 - 3/8" Dia. x 3/4" bolt with 2 flat washers, lock washer and nut per each bolt.

Angle to mailbox support attachment: 2 - 3/8" Dia. x 2 1/2" bolt with 2 flat washers, lock washer and nut per each bolt.



SIZE NO. 2 AND NO. 3 MAILBOX

Bracket to mailbox attachment: 6 - 3/16" Dia. x 3/4" bolt w/2 flat washers and nut per each bolt.

Bracket to bracket extension attachment: 2 - 3/16" Dia. x 3/4" carriage bolt w/ flat washer, lock washer and nut per bolt (4 bolts required if 2 bracket extensions are used).

Angle to bracket attachment: 2 - 3/8" Dia. x 3/4" bolt w/2 flat washers, lock washer and nut per each bolt.

Angle to mailbox support attachment: 2 - 3/8" Dia. x 2 1/2" bolt w/2 flat washers, lock washer, and nut per each bolt.

STANDARD MAILBOX ATTACHMENT DETAILS

For General Notes See sheet 2 of 3.

See Sheet 3 of 3 for Adapter Plate, Angle Bracket and Bracket Extension Hardware Details.

Bracket may be installed with edge down on size No. 1 mailboxes.

--SPECIFICATIONS--

CURRENT ALABAMA DEPARTMENT OF TRANSPORTATION

THIS DRAWING REPRESENTS DESIGNS PREPARED FOR USE BY THE ALABAMA DEPARTMENT OF TRANSPORTATION AND IS NOT TO BE COPIED, REPRODUCED, ALTERED, OR USED BY ANYONE, OR ANY ORGANIZATION, WITHOUT THE EXPRESSED WRITTEN CONSENT OF THE ALABAMA DEPARTMENT OF TRANSPORTATION REPRESENTATIVE AUTHORIZED TO APPROVE THIS USE. ANYONE MAKING UNAUTHORIZED USE OF THIS DRAWING MAY BE PROSECUTED TO THE FULLEST EXTENT OF THE LAW.

REVISIONS

ALABAMA DEPARTMENT OF TRANSPORTATION
1409 COLISEUM BOULEVARD
MONTGOMERY, AL 36130-3050

DESIGN BUREAU SPECIAL DRAWING

DETAILS OF MOUNTING MAILBOXES

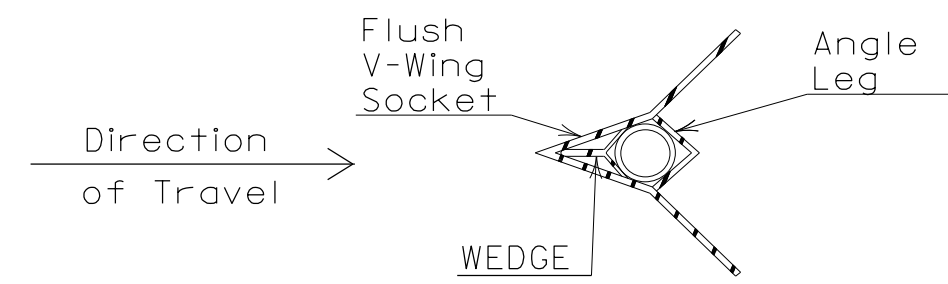
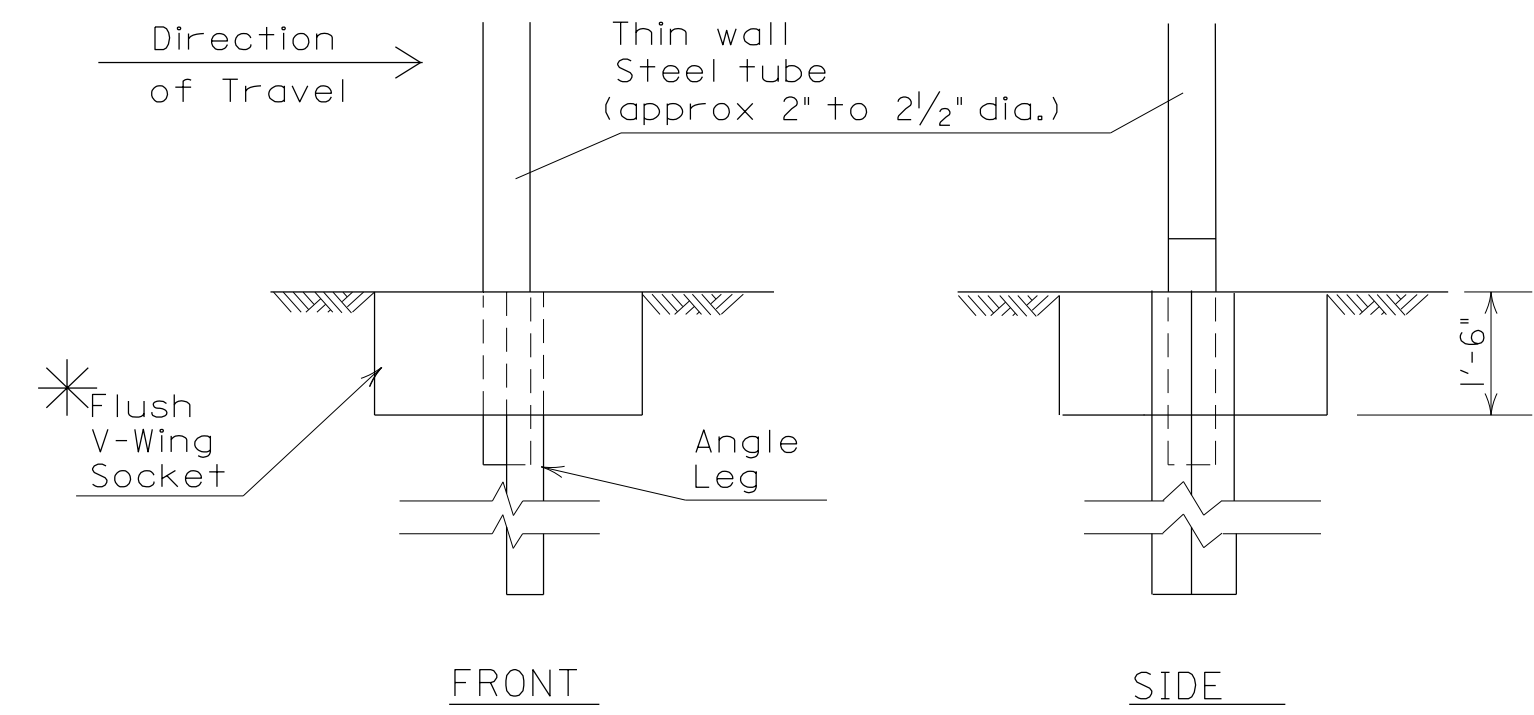
Bureau Std Engr: D.J.W.
DRAWN BY: C.J.S. DATE DRAWN: 10-18-96

SPECIAL DRAWING NO
MB-209-1 (SHEET 1 OF 3)

INDEX NO
20901

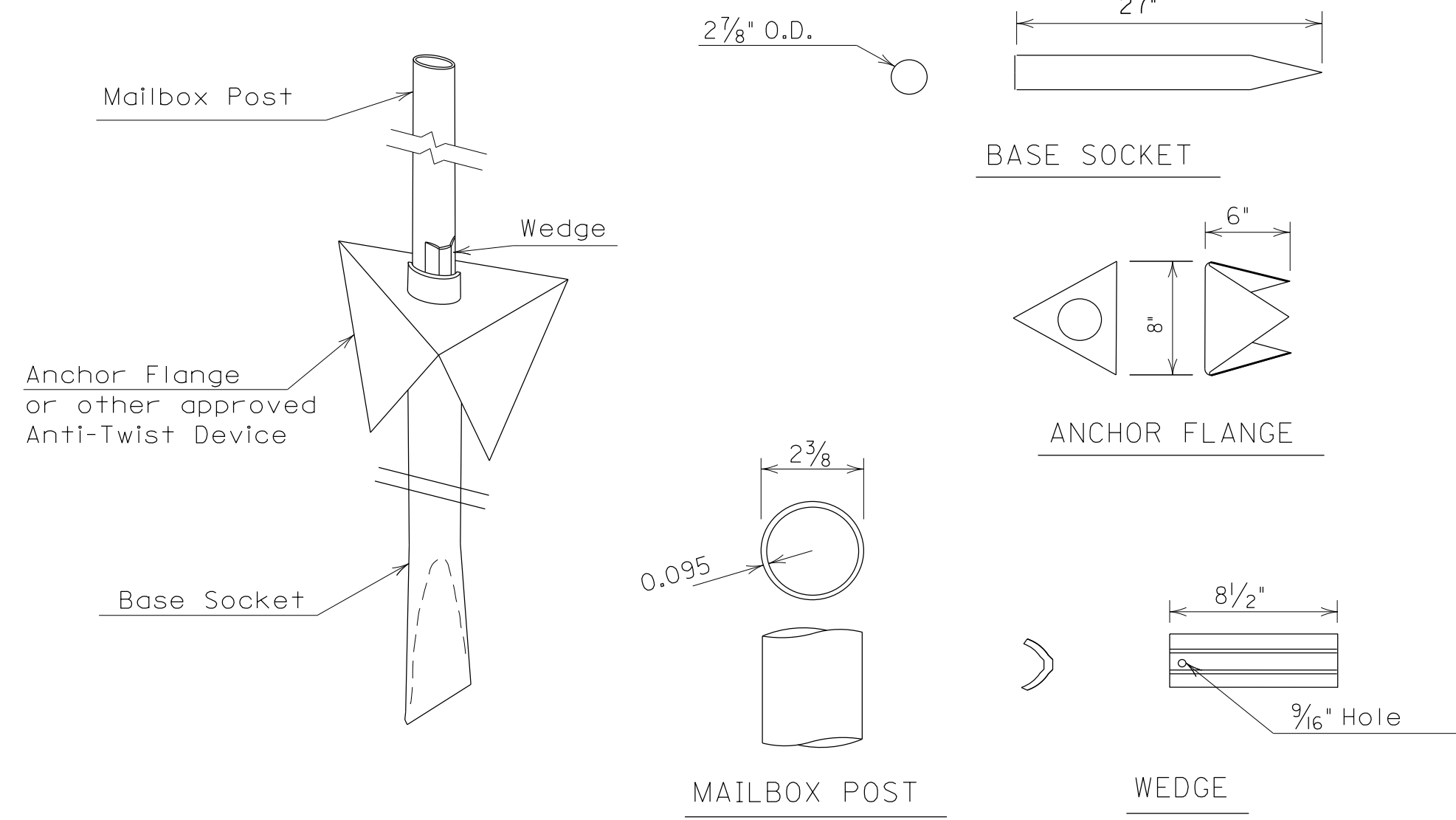
NOT TO SCALE

REFERENCE PROJECT NO	FISCAL YEAR	SHEET NO



*See General Note 6.

TYPE 1 SUPPORT/FOUNDATION
THIN WALL STEEL TUBE w/ V-LOC ANCHORAGE



All dimensions may be varied to fit 2" thin wall steel tube post if approved by Engineer

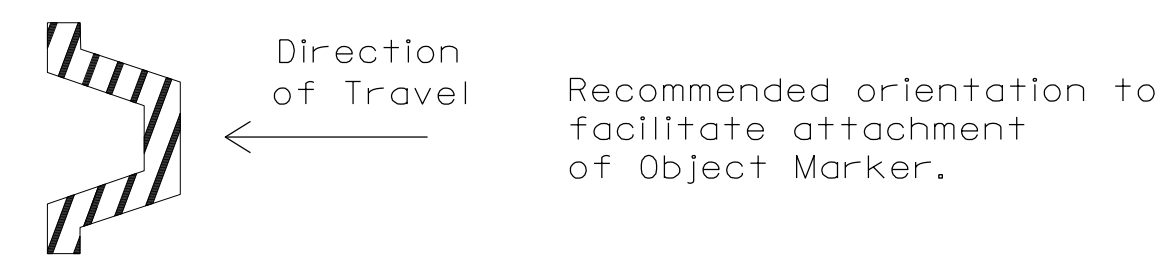
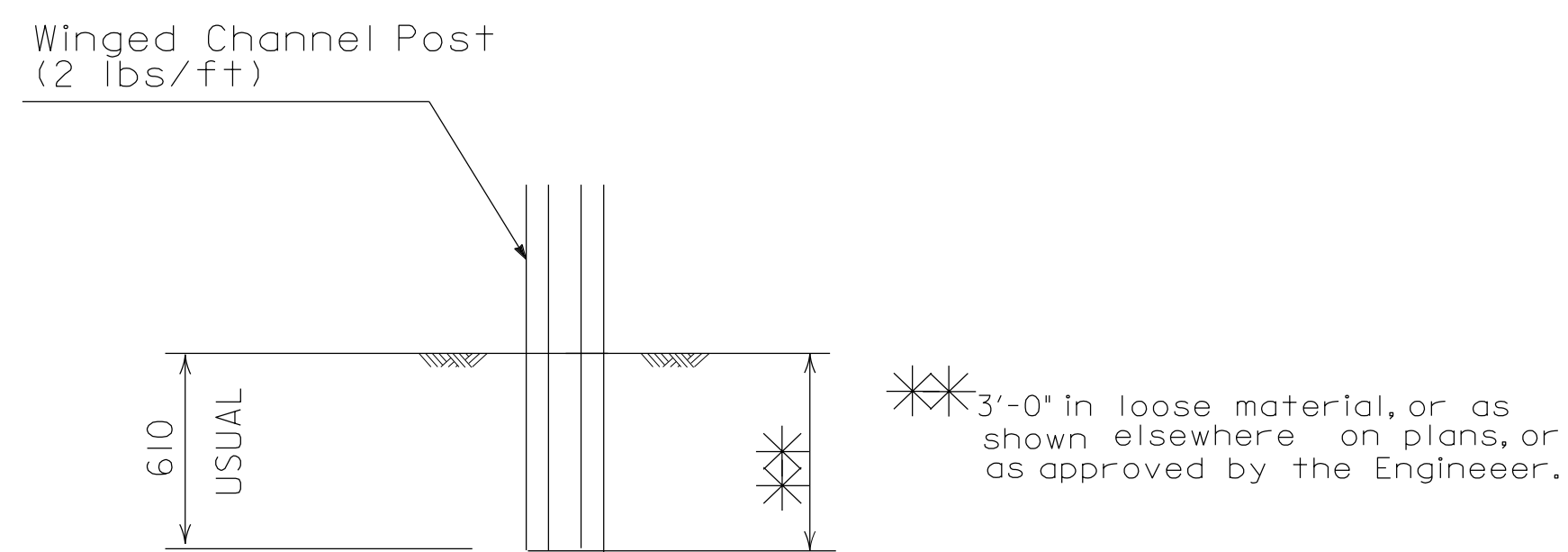
TYPE 2 SUPPORT/FOUNDATION
THIN WALL STEEL TUBE w/ANCHOR FLANGE

NOTES FOR TYPE 2 SUPPORT/FOUNDATION

- The Base Socket is formed from 2 7/8" O.D. x 12 gauge thickness galvanized pipe.
- The Anchor Flange is formed from 12 gauge thickness galvanized steel made to A-525. Only needed for soft soils as determined by the Engineer.
- The Wedge is formed from 11 gauge thickness galvanized steel made to ASTM A-525.
- The Mailbox Post is 2 3/8" O.D. 0.095" thin wall steel tubing.
- Steel Support Foundation unit shall be made from new material and shall be corrosion resistant. The unit shall be galvanized in accordance with ASTM designation A-123, A-525, G-90 or better. In addition, steel members of the support that are in direct contact with earth must be galvanized to ASTM Designation G-90 and coated with one mil of clear approved coating, or galvanized in accordance with ASTM Designation A-123.

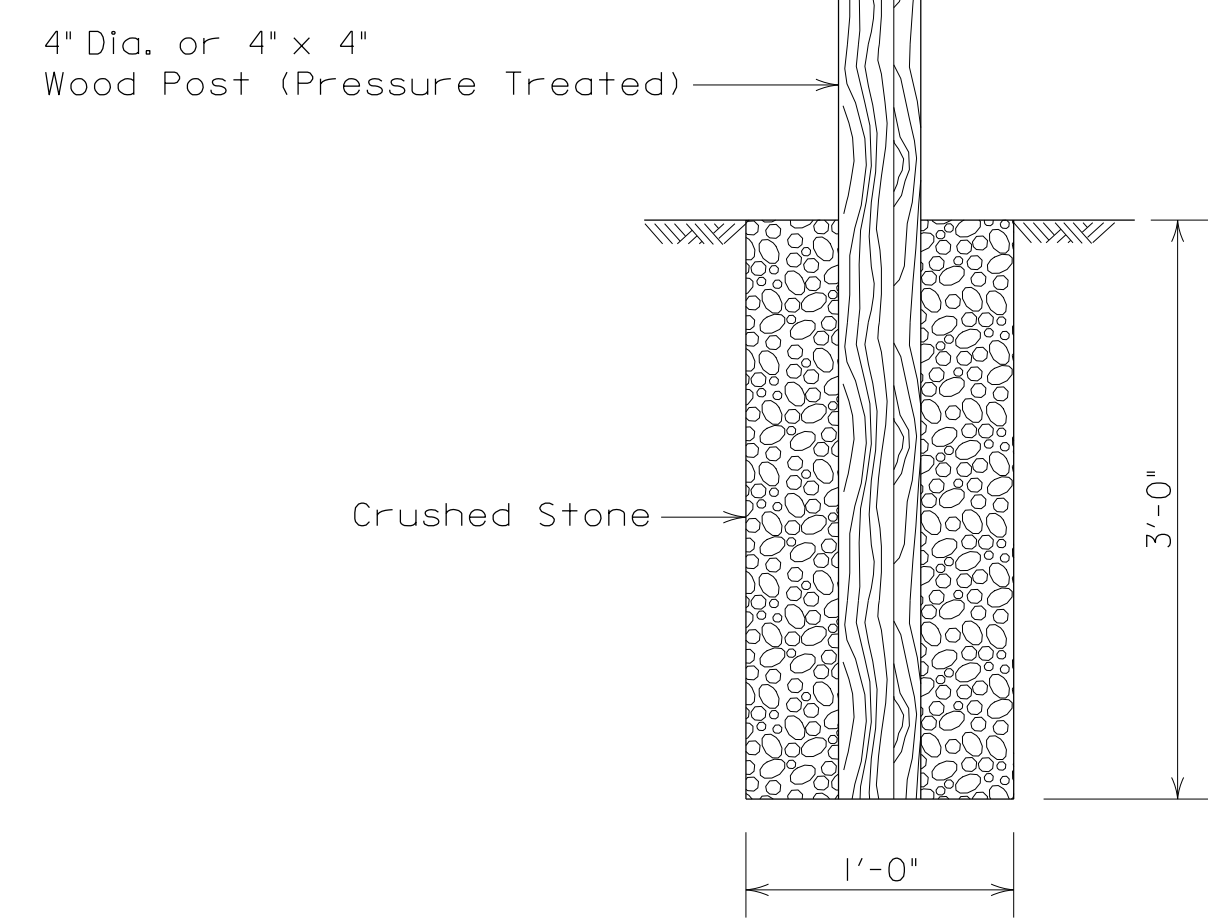
GENERAL NOTES

- Bolts, nuts, washers and other miscellaneous hardware shall be galvanized in accordance to ASTM Designations: A-153, Class C or D, or B-454, Class 40. All bolts shall meet ASTM Designation: A-307.
- Foundation and post must be driven plumb. Recommended procedure is to drive post or foundation about 10-12 inches, stop and check for straightness, front to back, side to side. Make adjustments, continue to drive an additional 10-12 inches, repeat check, and make final adjustments, complete installation.
- The 2 lbs/ft winged channel posts for the Type 3 support shall conform to the requirements of ALDOT Specifications.
- Hardware for mounting mailboxes to support/foundation furnished by Foresight Products, Inc., 6430 East 49th Drive, Commerce City, Co. 80022, 1-800-325-5360 or equivalent may be used when approved by the Engineer.
- The formed tube support frame for the multiple mailbox mount and the Type 1 mailbox support system are as manufactured by Foresight Products Inc. or an approved equivalent.
- Any support or foundation on these standards may be used for mounting single or double mailboxes.
- All materials and work required to remove and reinstall mailbox and support are to be paid for as part of item 209-A.
- The Contractor may re-use any mailboxes or support materials removed if approved by the Engineer. Other materials are to be returned to the property owner if requested or disposed of by the Contractor. Disposal of materials will be a subsidiary requirement of item 209-A.
- All mailboxes must be manufactured in accordance with U.S. Postal System Specifications.
- Box numbers (and street names where required by the Postal Service) shall be required. Numbers and letters shall be in a color contrasting the box color and shall be neat, 1" minimum height. Box numbers shall be located on the side of the box visible to the carrier's regular approach and on the front of the box if required by the local letter carrier. Materials for box numbers shall be approved by the Engineer and paid for as a subsidiary requirement of item 209-A.
- For clarity, only one proprietary mailbox foundation and support are shown, Foresight Products, Inc. Other products, such as NEX Mailbox System, may be used. All proprietary products supplied must be crash tested in accordance with NCHRP Report 350 and be installed in accordance with the crash tested conditions and the manufacturer's recommendation.



DELINEATOR POST
2 lbs/ft

TYPE 3 SUPPORT/FOUNDATION
DELINEATOR POST




TYPE 4 SUPPORT/FOUNDATION
PRESSURE TREATED WOOD POST

--SPECIFICATIONS--
CURRENT ALABAMA DEPARTMENT OF TRANSPORTATION

THIS DRAWING REPRESENTS DESIGNS PREPARED FOR USE BY THE ALABAMA DEPARTMENT OF TRANSPORTATION AND IS NOT TO BE COPIED, REPRODUCED, ALTERED, OR USED BY ANYONE, OR ANY ORGANIZATION, WITHOUT THE EXPRESSED WRITTEN CONSENT OF THE ALABAMA DEPARTMENT OF TRANSPORTATION REPRESENTATIVE AUTHORIZED TO APPROVE THIS USE. ANYONE MAKING UNAUTHORIZED USE OF THIS DRAWING MAY BE PROSECUTED TO THE FULLEST EXTENT OF THE LAW.

REVISIONS
1. Added Note No.11 on 02-25-03 by J.F.T.


ALABAMA DEPARTMENT OF TRANSPORTATION
 1409 COLISEUM BOULEVARD
 MONTGOMERY, AL 36130-3050
 DESIGN BUREAU SPECIAL DRAWING

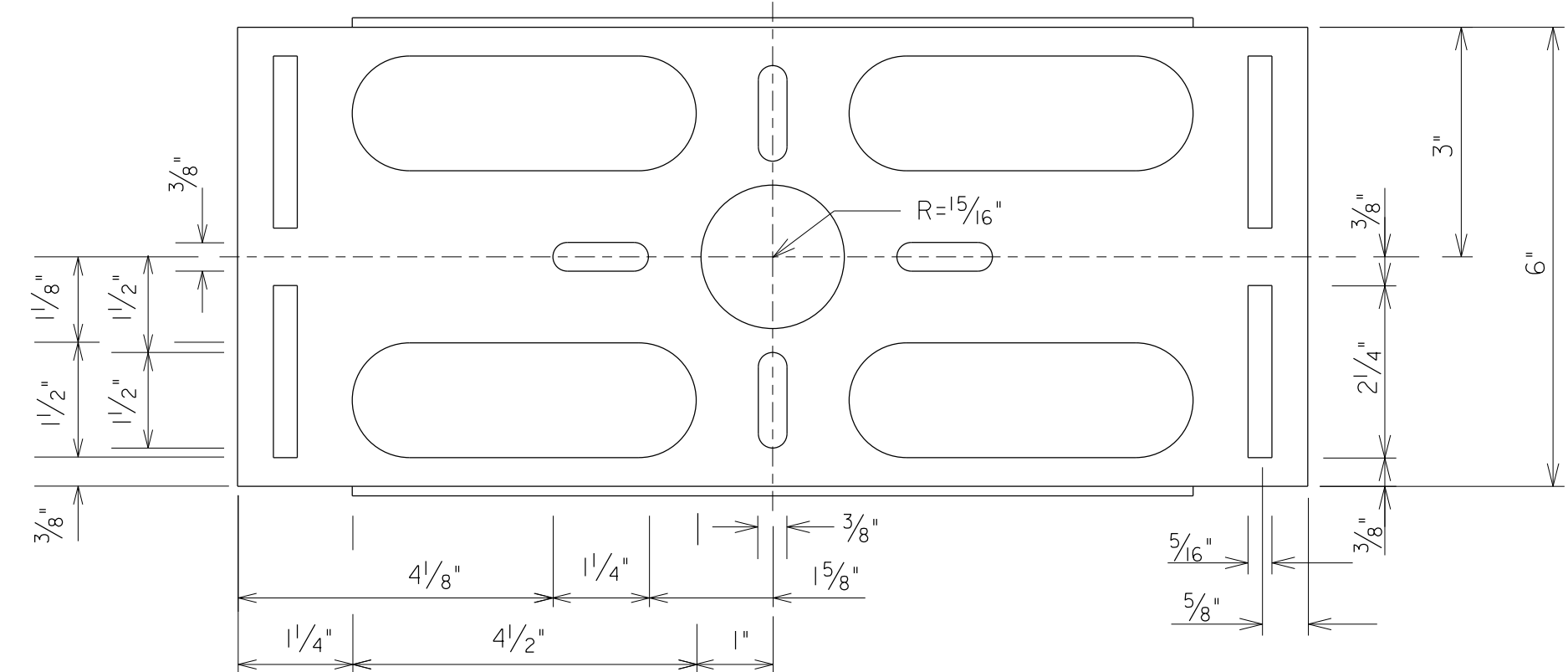
DETAILS OF MOUNTING MAILBOXES

Bureau Std Engr: D.J.W.
DRAWN BY: C.J.S. DATE DRAWN: 10-18-96

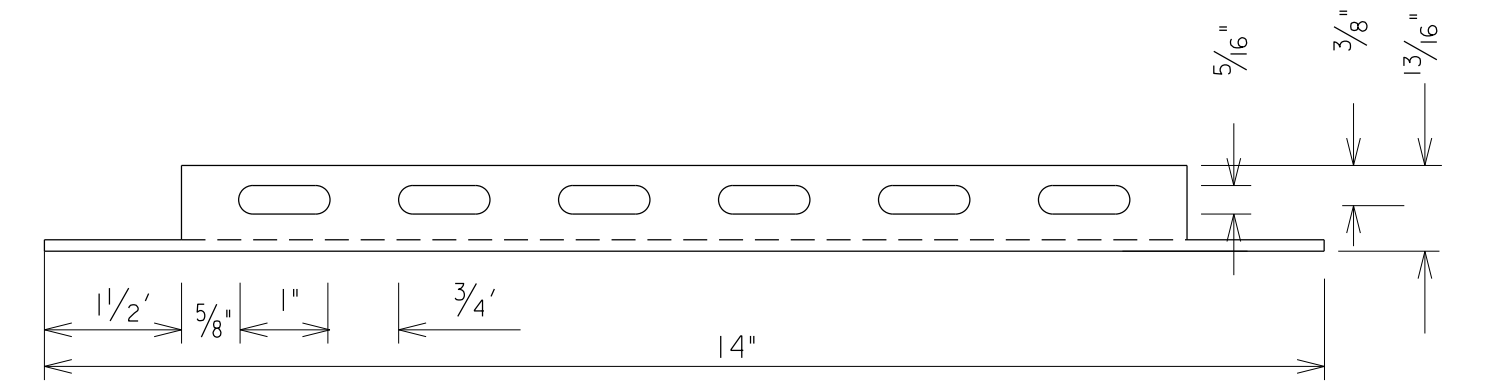
SPECIAL DRAWING NO
MB-209-1 (SHEET 2 OF 3)

INDEX NO
20902

NOT TO SCALE



PLAN VIEW

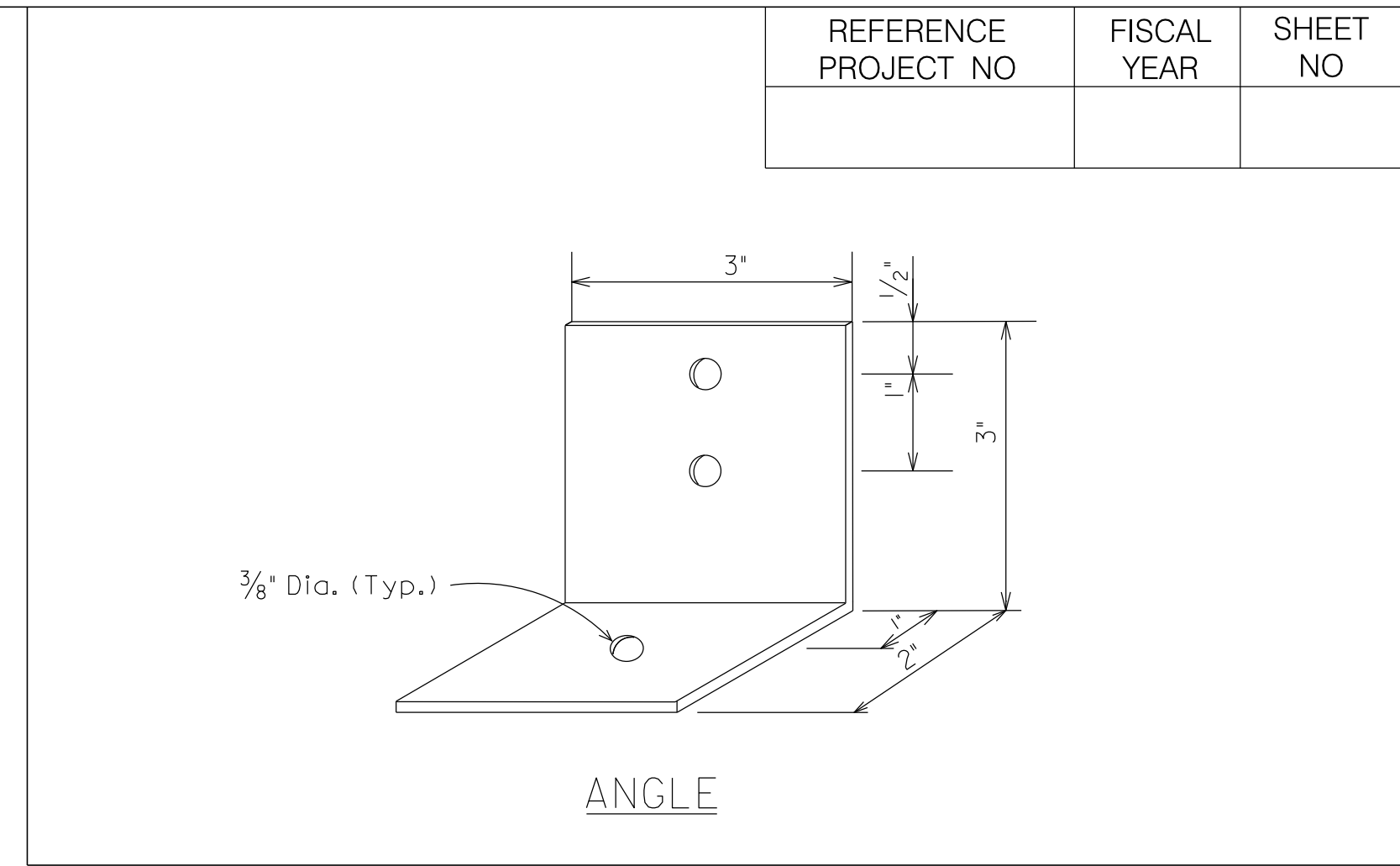


SIDE VIEW

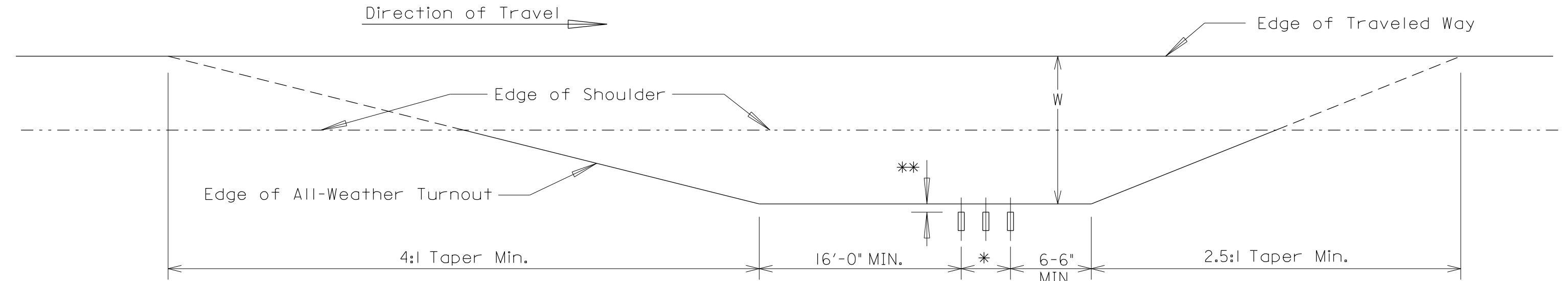
BRACKET

Highway Type and Traffic Conditions	Width of All-Weather Surface of Turnout or Available Shoulder at Mailbox (Feet)		Distance Roadside Face of Mailbox is to be Offset Behind Edge of Turnout or Usable Shoulder	
	Preferred	Minimum	Preferred	Minimum
Rural Highway ADT over 10,000 vpd	> 12	10	8' to 12'	0
Rural Highway ADT = 1,500 to 10,000 vpd	12	8		
Rural Highway ADT = 100 to 1,500 vpd	10	8		
Rural Road ADT under 100 vpd	8	6	8'	8' (If a turnout is provided, this may be reduced to zero)
Residential Street without curb or all-weather shoulder	6	0	8' to 12' Behind Traffic Face of Curb	6' Behind Traffic Face of Curb
Curbed Residential Street	Not Applicable		8' to 12' Behind Traffic Face of Curb	6' Behind Traffic Face of Curb

ADT = Average Daily Traffic vpd = Vehicles Per Day

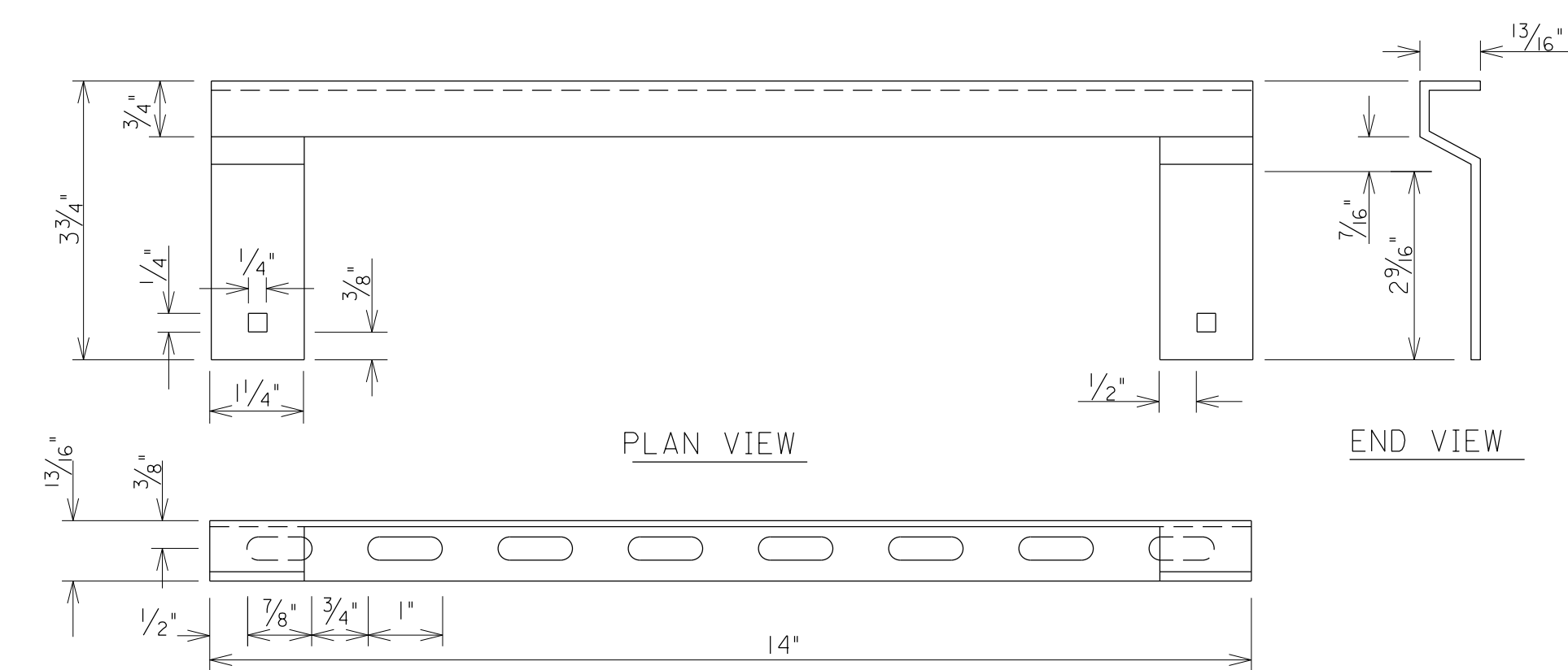


ANGLE



DESIRABLE MAILBOX TURNOUT DIMENSIONS

Materials to construct turnout shall be paid for in other items of work.
W = For Suggested Widths SEE TABLE ABOVE
* = Mailboxes (Width Varies)
** = For Mailbox Face Offset SEE TABLE ABOVE

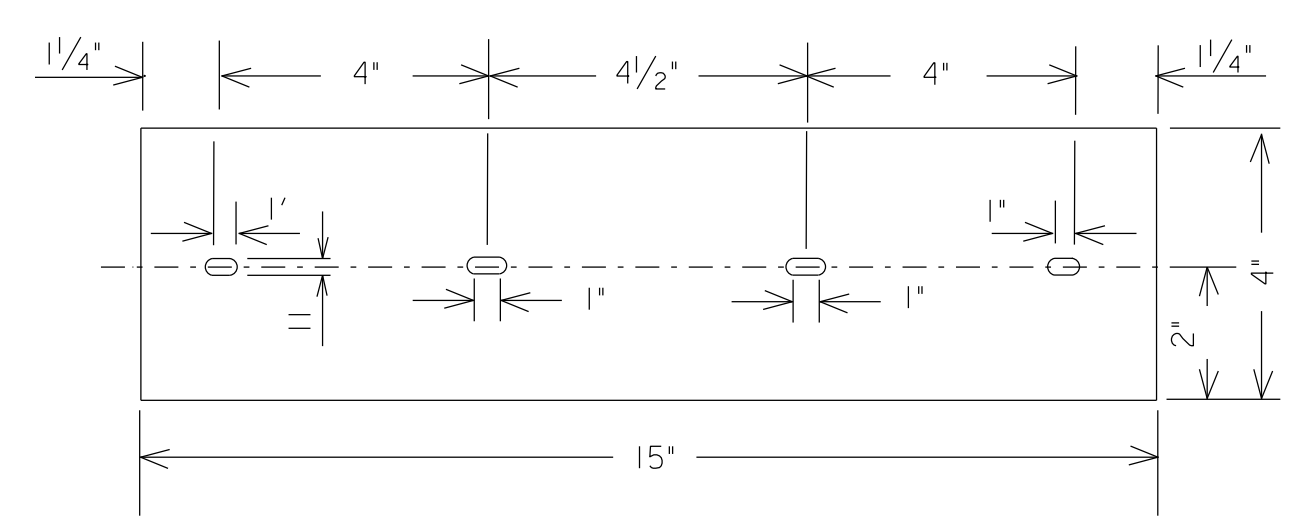


PLAN VIEW

END VIEW

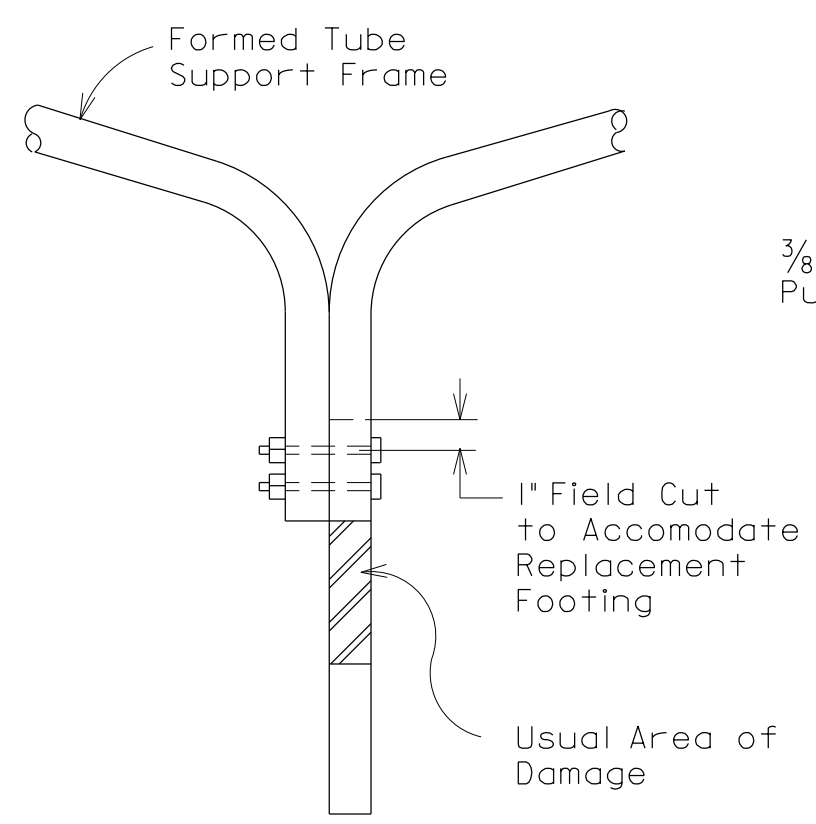
SIDE VIEW

BRACKET EXTENSION

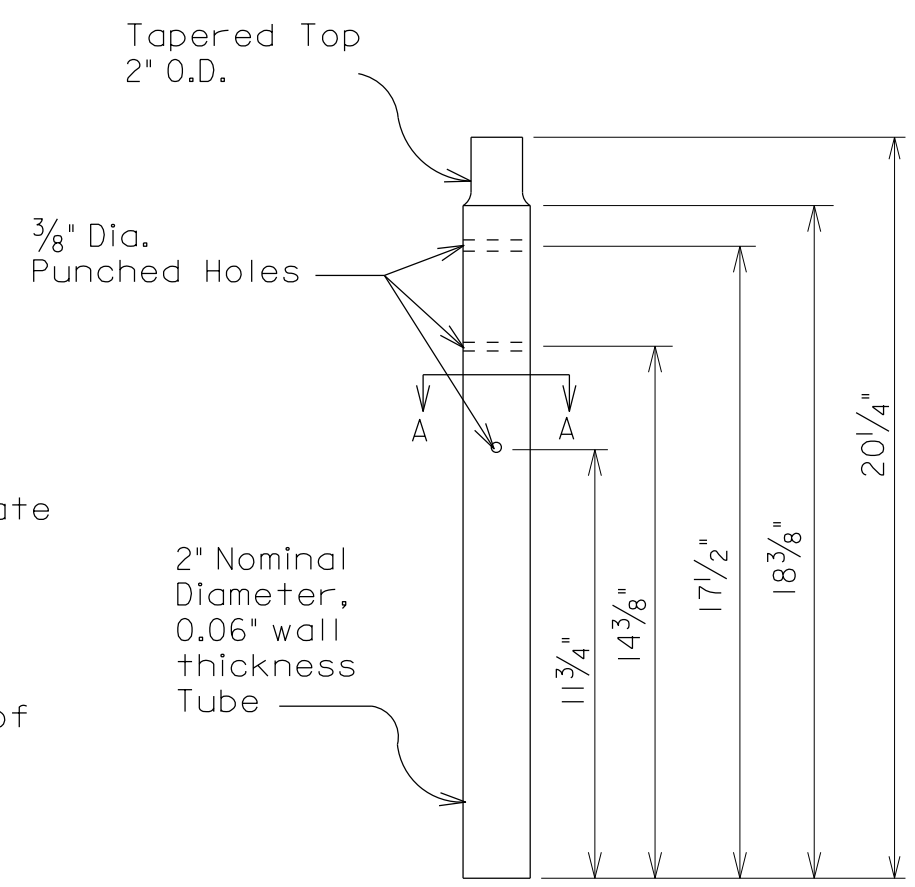


ADAPTER PLATE

Holes Shall Have a Diameter of 7/16 inch.



TYPICAL MULTIPLE MAILBOX MOUNT



REPLACEMENT FOOTING

NOTES:

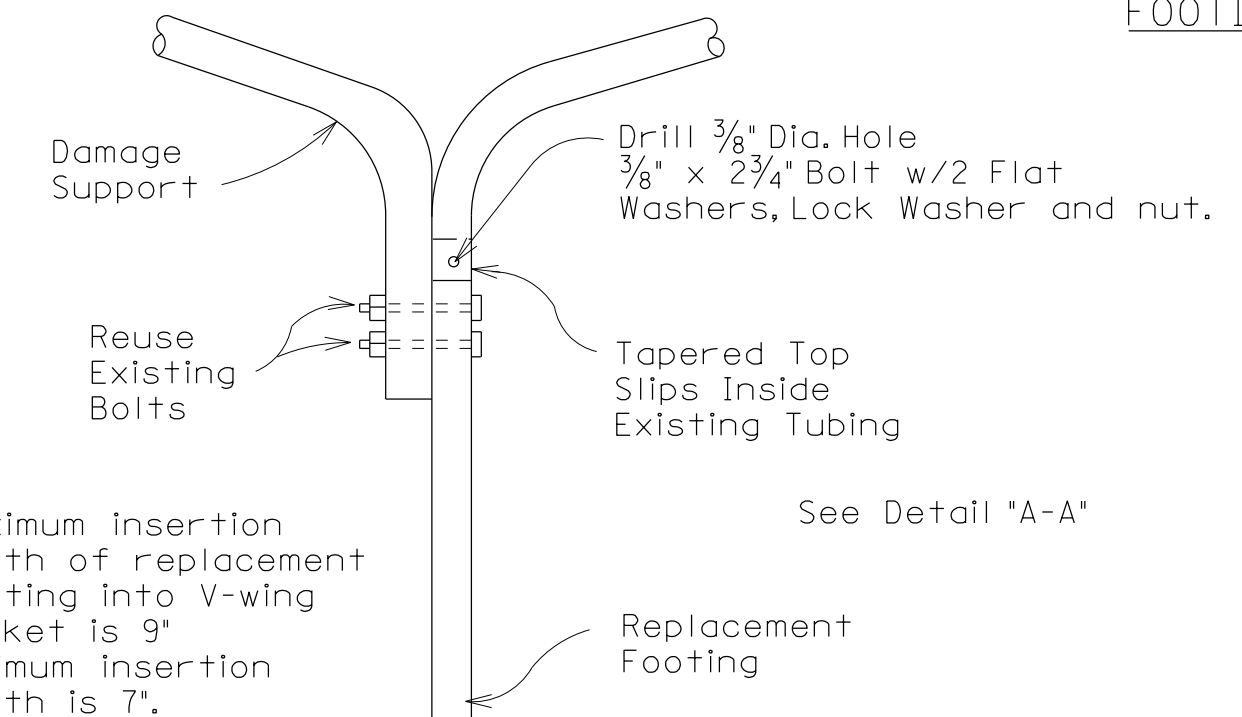
Only damaged multiple mailbox mounts having no visible damage other than to the portion of the footing that is to be discarded may be repaired.
Material for the repair footing is to be AISI-1008 hot rolled carbon steel. The unit shall be galvanized.

Hardware for mounting mailboxes to support/ foundation furnished by Foresight Industries or equivalent may be used when approved by the Engineer.

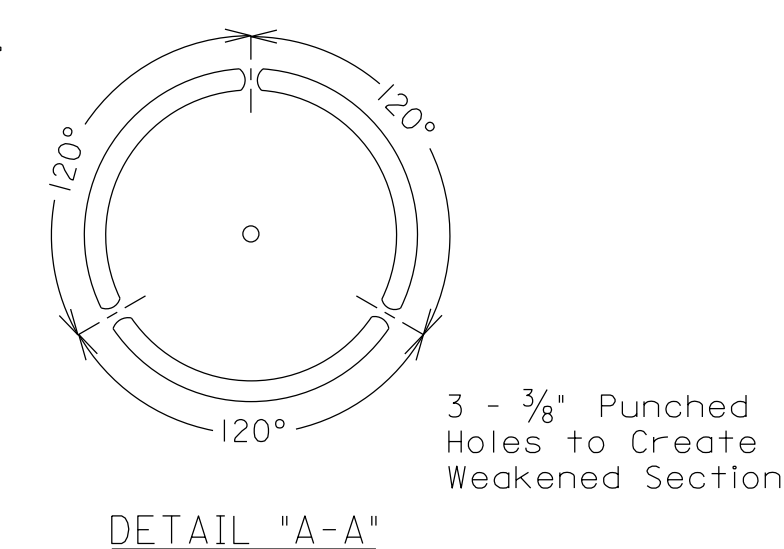
The bracket and bracket extension shall be constructed of 14 gauge galvanized steel sheet conforming to ASTM A-525 (G-90).

The angle shall be constructed of 14 gauge thickness steel sheet and the adapter plate shall be constructed of 12 gauge steel sheet. The angle and adapter plate shall be fabricated in accordance with ASTM A-123 or constructed of galvanized steel sheet conforming to ASTM A-525 (G-90).

Items with evidence of damage to the galvanized coating or wet storage stains (white rust) will not be accepted.



REPAIR DETAIL



DETAIL "A-A"

DETAIL OF REPLACEMENT FOOTING FOR REPAIR OF MULTIPLE MAILBOX MOUNT

Maximum insertion depth of replacement footing into V-wing socket is 9 inches
Minimum insertion depth is 7 inches.

See Detail 'A-A'

--SPECIFICATIONS--
CURRENT ALABAMA DEPARTMENT OF TRANSPORTATION

THIS DRAWING REPRESENTS DESIGNS PREPARED FOR USE BY THE ALABAMA DEPARTMENT OF TRANSPORTATION AND IS NOT TO BE COPIED, REPRODUCED, ALTERED, OR USED BY ANYONE, OR ANY ORGANIZATION, WITHOUT THE EXPRESSED WRITTEN CONSENT OF THE ALABAMA DEPARTMENT OF TRANSPORTATION REPRESENTATIVE AUTHORIZED TO APPROVE THIS USE. ANYONE MAKING UNAUTHORIZED USE OF THIS DRAWING MAY BE PROSECUTED TO THE FULLEST EXTENT OF THE LAW.

REVISIONS

ALABAMA DEPARTMENT OF TRANSPORTATION
1409 COLISEUM BOULEVARD
MONTGOMERY, AL 36130-3050
DESIGN BUREAU SPECIAL DRAWING

DETAILS OF MOUNTING MAILBOXES

Bureau Std Engr: D.J.W.
DRAWN BY: C.J.S. DATE DRAWN: 10-18-96

SPECIAL DRAWING NO
MB-209-1 (SHEET 3 OF 3)

INDEX NO
20903

NOT TO SCALE