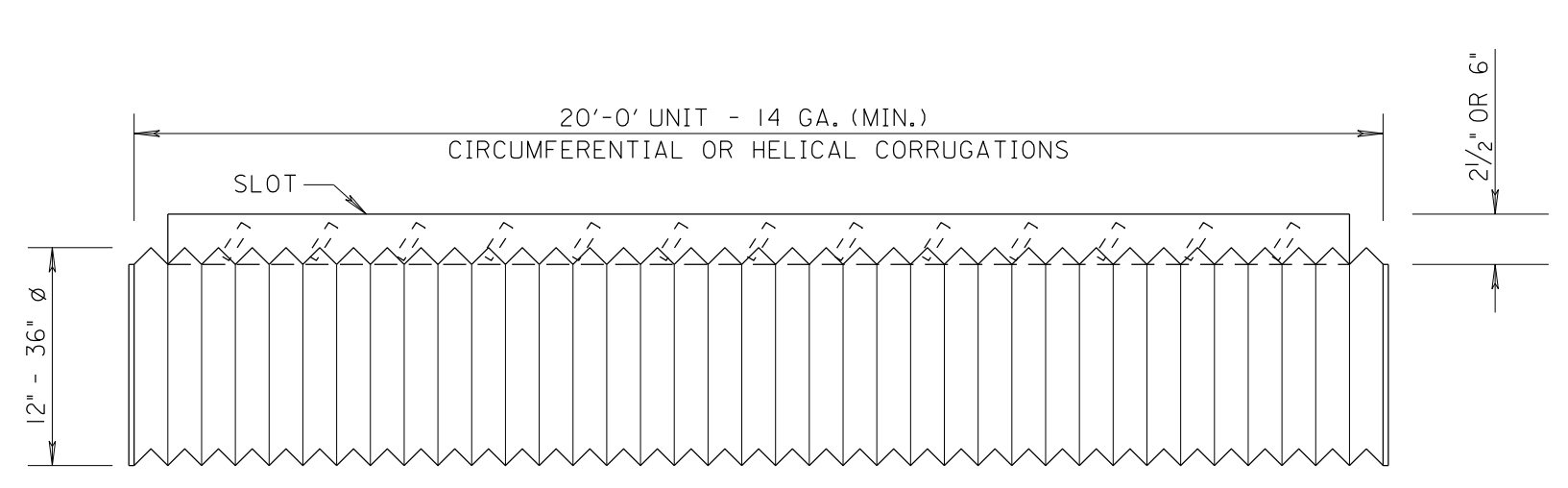
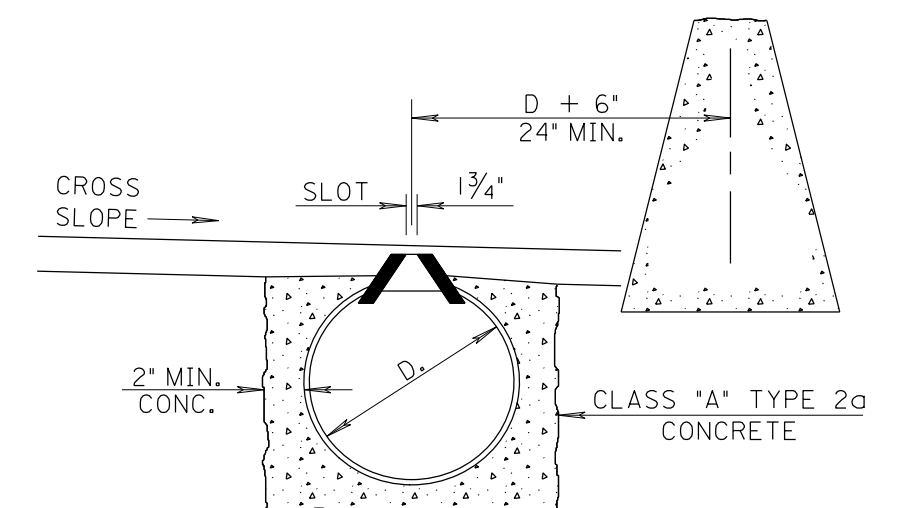


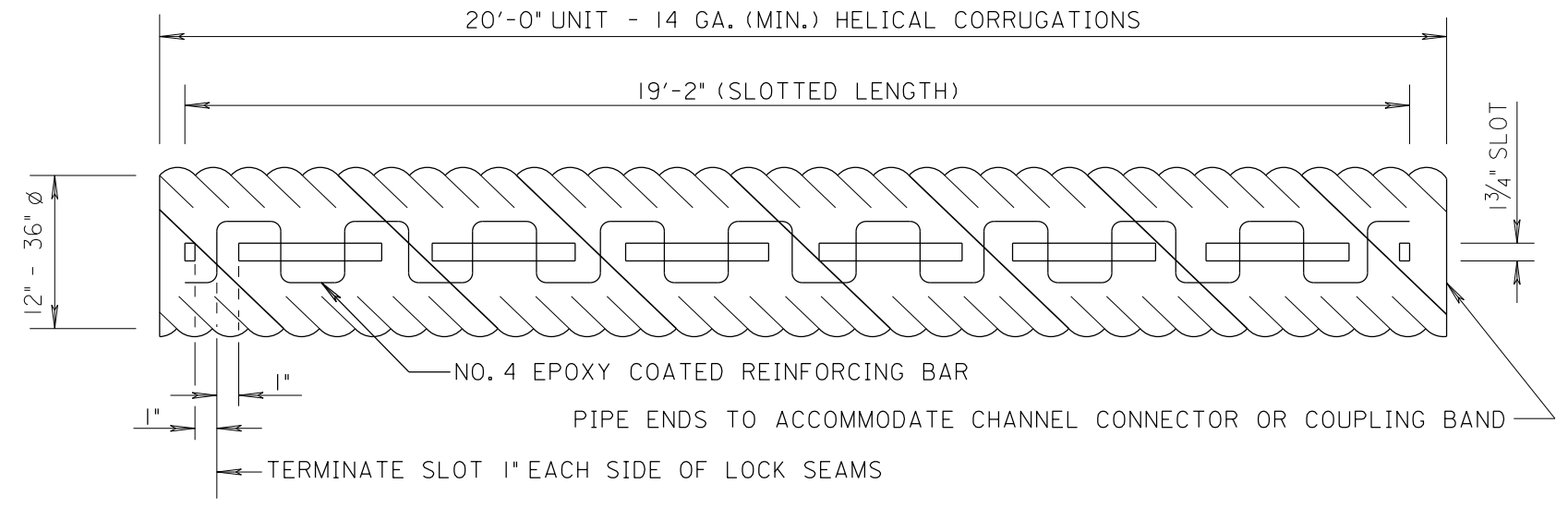
REFERENCE PROJECT NO	FISCAL YEAR	SHEET NO



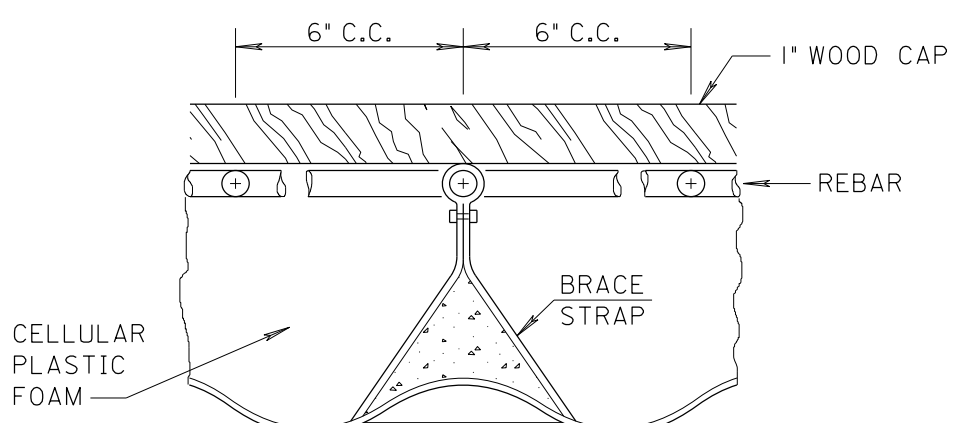
ELEVATION VIEW



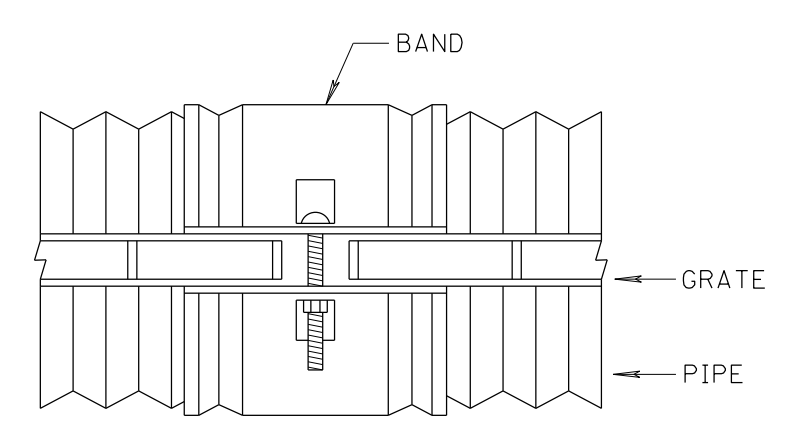
CROSS SECTION VIEW



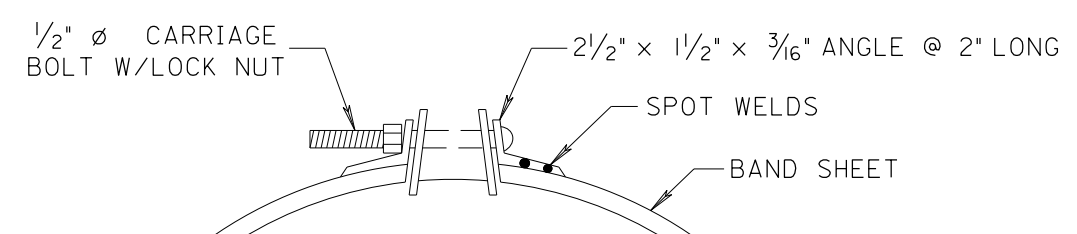
PLAN VIEW



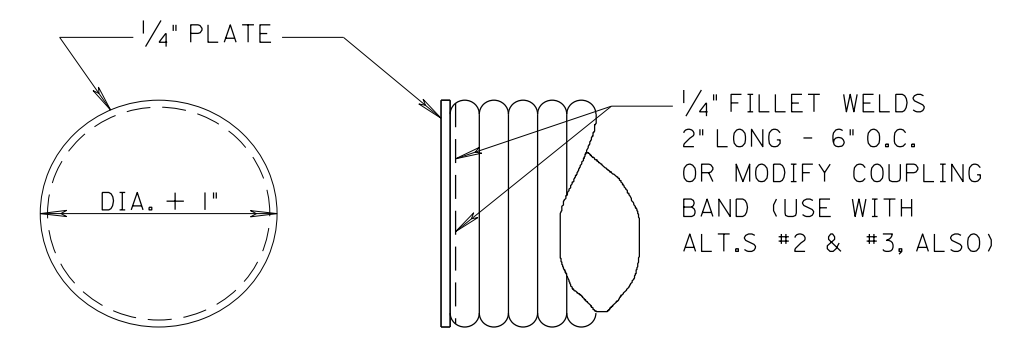
CROSS BAR DETAIL



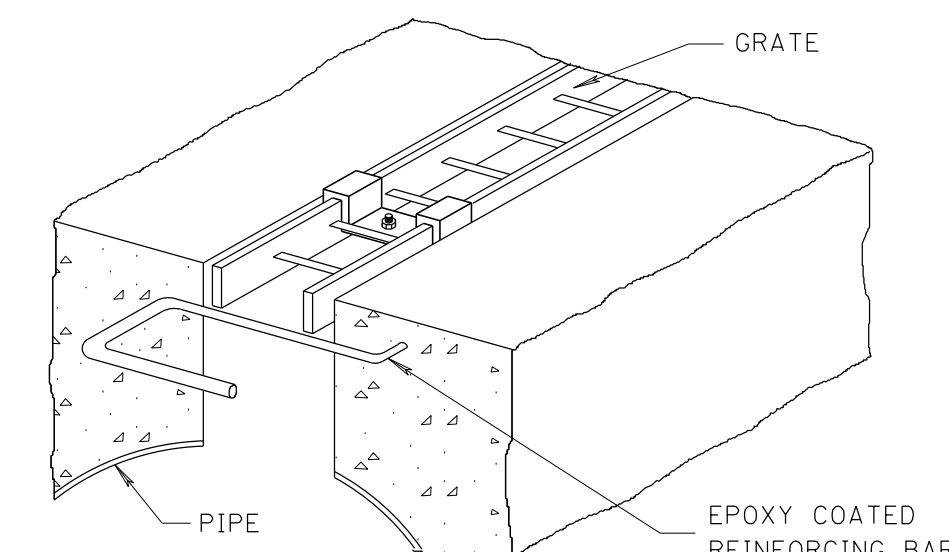
PLAN VIEW



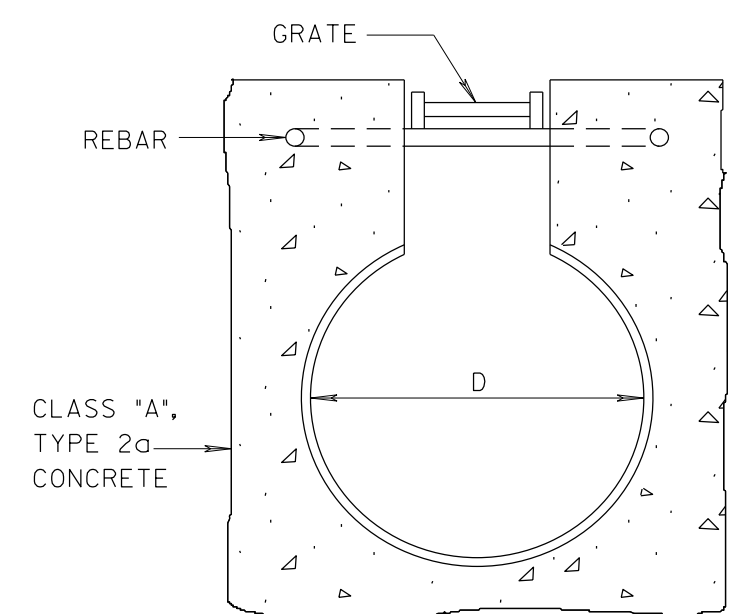
SECTION VIEW



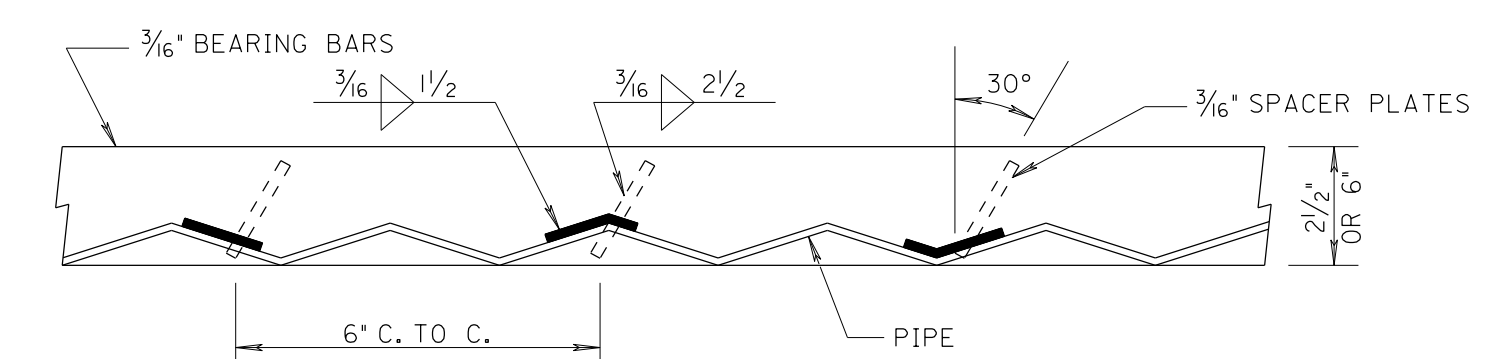
DETAILS FOR PLUGGING END OF PIPE



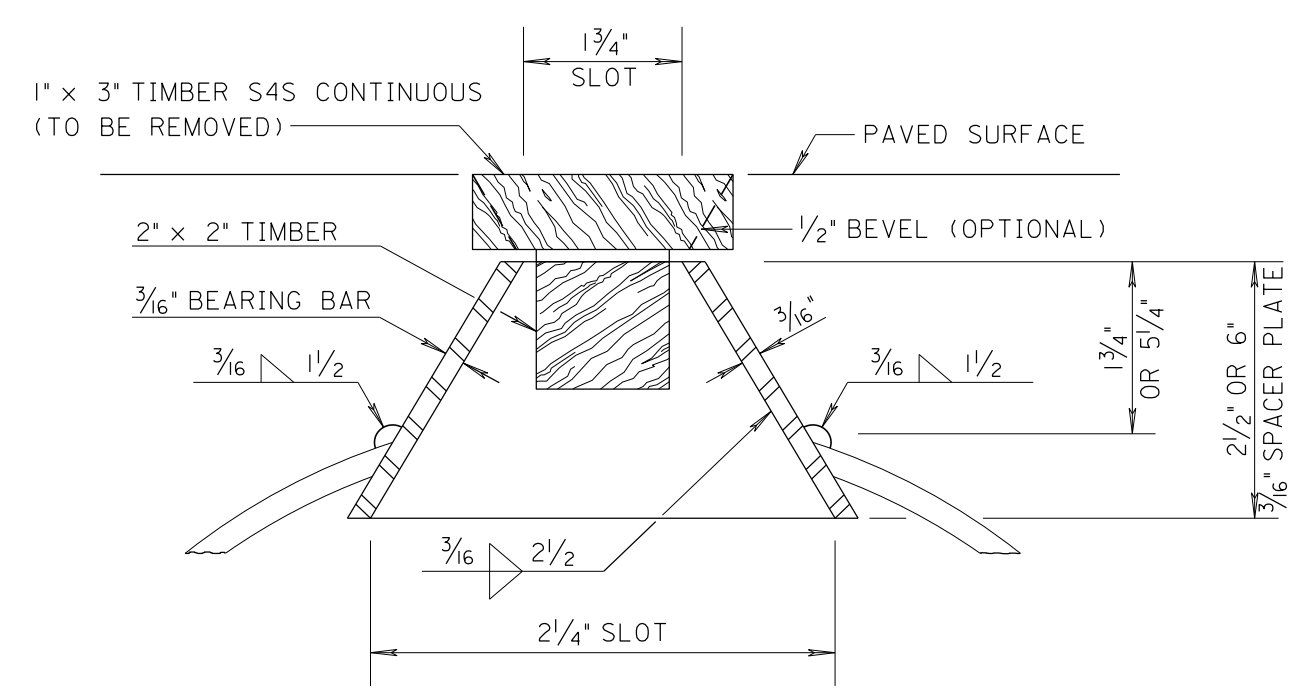
INSTALLED PERSPECTIVE



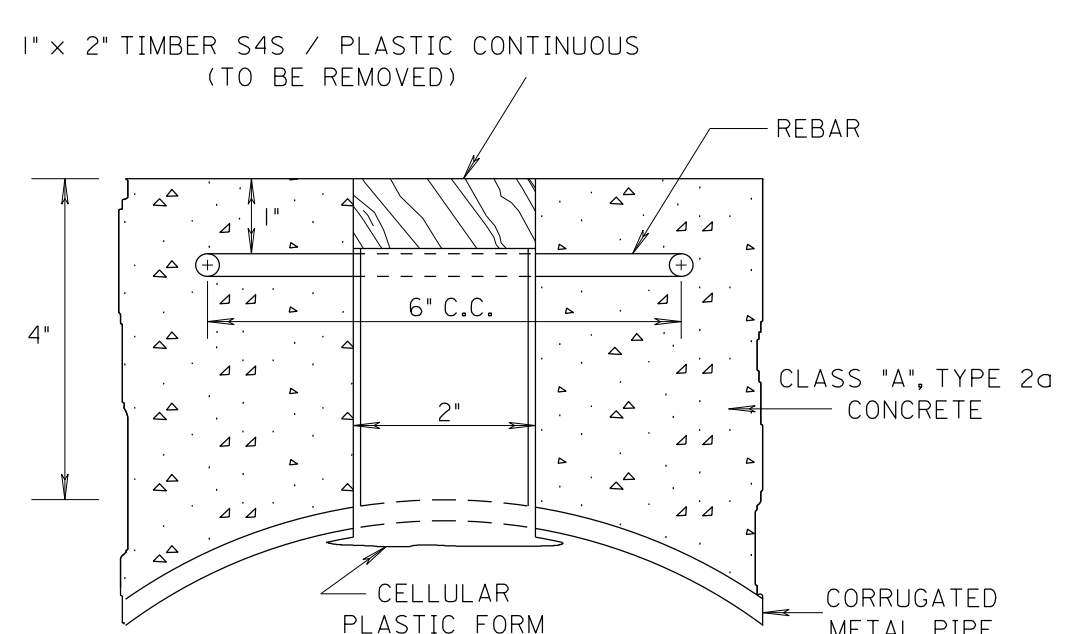
CROSS SECTION VIEW



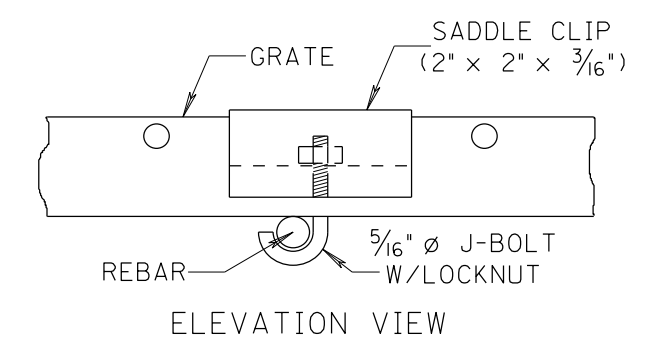
GRATE SLOT WELDING DETAIL



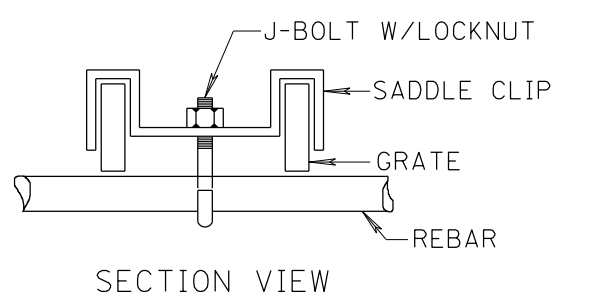
GRATE SLOT DETAIL



CONCRETE SLOT FORM DETAILS

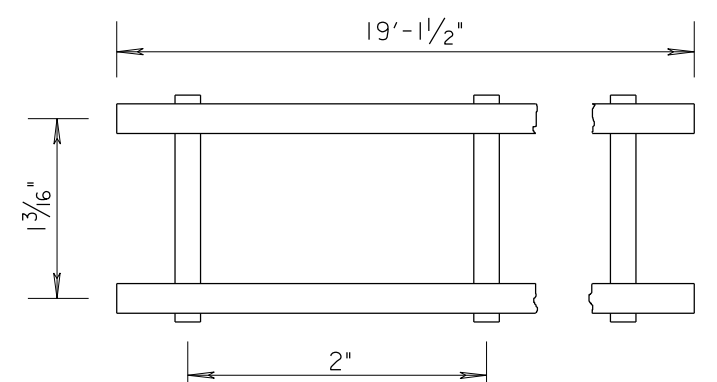


ELEVATION VIEW



SECTION VIEW

GRATE TO REBAR CONNECTION



STEEL GRATE DETAILS
ASTM-A569 H.D. GALVANIZATION

ALTERNATE #1 - FOR USE WITH BITUMINOUS OR CONCRETE PAVEMENT

ALTERNATE #2 - FOR USE WITH CONCRETE PAVEMENT ONLY

GENERAL NOTES

- ALL PIPE AND COUPLING BANDS SHALL MEET THE REQUIREMENTS OF ALDOT SPECIFICATIONS.
- ALL STEEL COMPONENTS, UNLESS OTHERWISE SPECIFIED, SHALL CONFORM TO ASTM-A36 AND GALVANIZED AFTER FABRICATION IN ACCORDANCE WITH ASTM-A123.
- NUTS, BOLTS AND WASHERS SHALL MEET THE REQUIREMENTS OF ASTM-A307 & ASTM-A153.
- PIPE SHALL BE SIZED FROM STANDARD HYDRAULIC CHARTS. SLOTS AS DETAILED WILL BE ADEQUATE FOR ALL PIPES SHOWN.
- ONLY SLOTTED DRAIN PIPE THAT HAVE PRIOR APPROVAL OF THE ALDOT PRODUCTS EVALUATION BOARD WILL BE ALLOWED.
- TOLERANCES - FINISHED SLOTTED DRAIN (20' LENGTHS)
VERTICAL BOW - +/- 3/16"
HORIZONTAL BOW - +/- 5/16"
TWIST - +/- 1/2"
- THE DETAILS ON THIS SHEET ARE INTENDED FOR SLOTTED DRAIN PLACEMENTS THAT ARE NOT UNDER TRAFFIC. IF THE SLOTTED DRAIN WILL BE UNDER TRAFFIC (DURING CONSTRUCTION OR OTHERWISE) THEN A SPECIALLY DESIGNED SLOTTED DRAIN WILL BE REQUIRED.

--SPECIFICATIONS--

CURRENT ALABAMA DEPARTMENT OF TRANSPORTATION

THIS DRAWING REPRESENTS DESIGNS PREPARED FOR USE BY THE ALABAMA DEPARTMENT OF TRANSPORTATION AND IS NOT TO BE COPIED, REPRODUCED, ALTERED, OR USED BY ANYONE, OR ANY ORGANIZATION, WITHOUT THE EXPRESSED WRITTEN CONSENT OF THE ALABAMA DEPARTMENT OF TRANSPORTATION REPRESENTATIVE AUTHORIZED TO APPROVE THIS USE. ANYONE MAKING UNAUTHORIZED USE OF THIS DRAWING MAY BE PROSECUTED TO THE FULLEST EXTENT OF THE LAW.

REVISIONS
1. Deleted Bituminous Coated & changed Type 2 to Type 2a concrete on 01-27-00 by J.F.T.
2. Updated drawing to MASH approved "Constant Slope Face Barrier" and added General Note 7 on 09-21-18 by J.F.T.

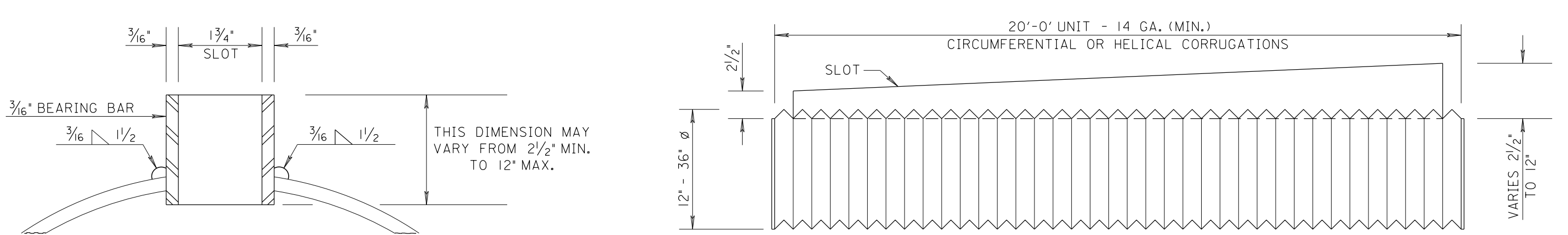
ALABAMA DEPARTMENT OF TRANSPORTATION
1409 COLISEUM BOULEVARD
MONTGOMERY, AL 36130-3050
DESIGN BUREAU SPECIAL DRAWING

DETAILS OF CORRUGATED SLOTTED DRAIN PIPE 12"-36" DIAMETER

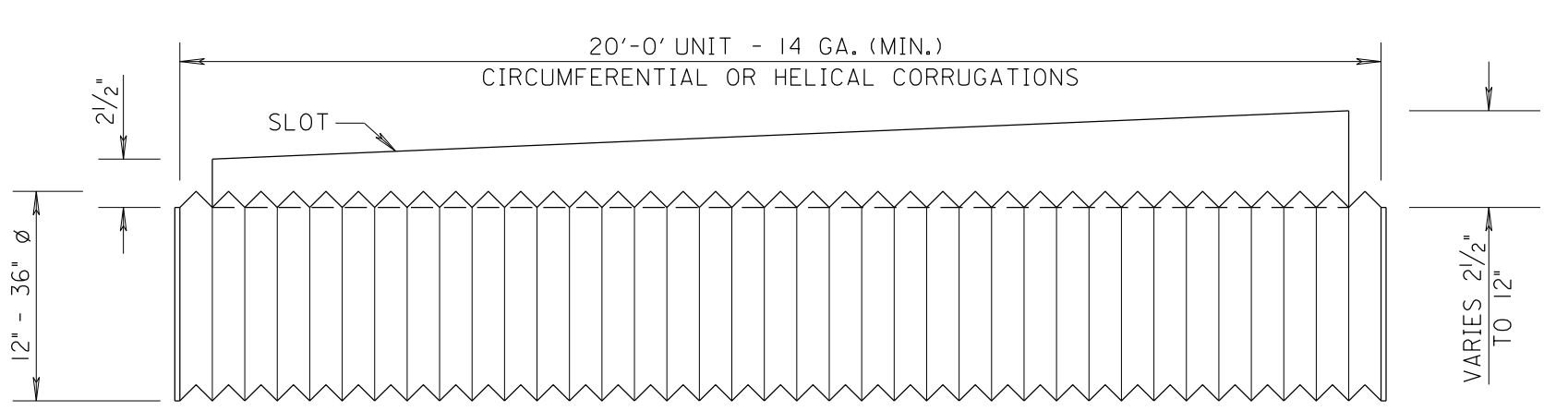
Bureau Std Engr: D.J.W.
DRAWN BY: C.J.S. DATE DRAWN: 12-05-74

SPECIAL DRAWING NO
CSP-532

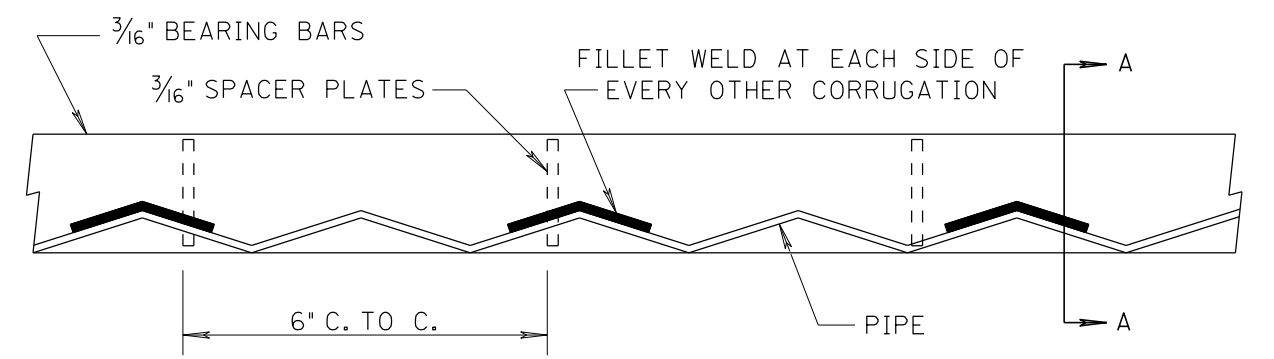
INDEX NO
53201



SECTION A-A
GRATE SLOT DETAIL



ELEVATION VIEW



GRATE WELDING DETAIL

NOTE: FOR TYPICAL COUPLING BAND SEE ALTERNATE #1 ABOVE.

ALTERNATE #3 - PARALLEL SIDE GRATE-TYPE 4 (VARIABLE HEIGHT APPLICATIONS ONLY)

NOT TO SCALE