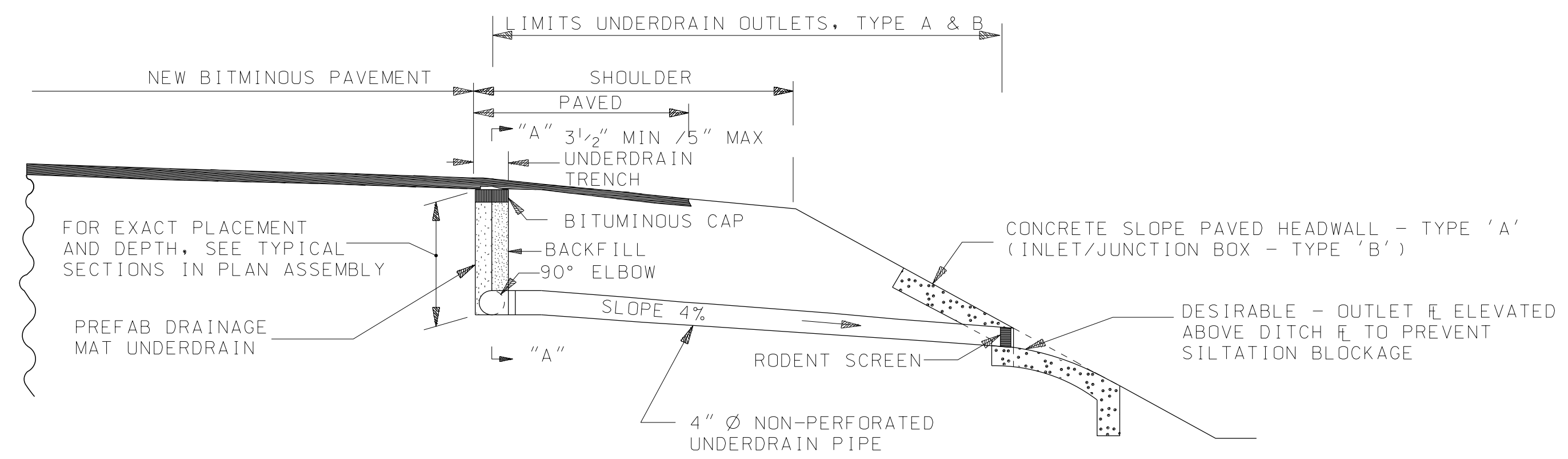
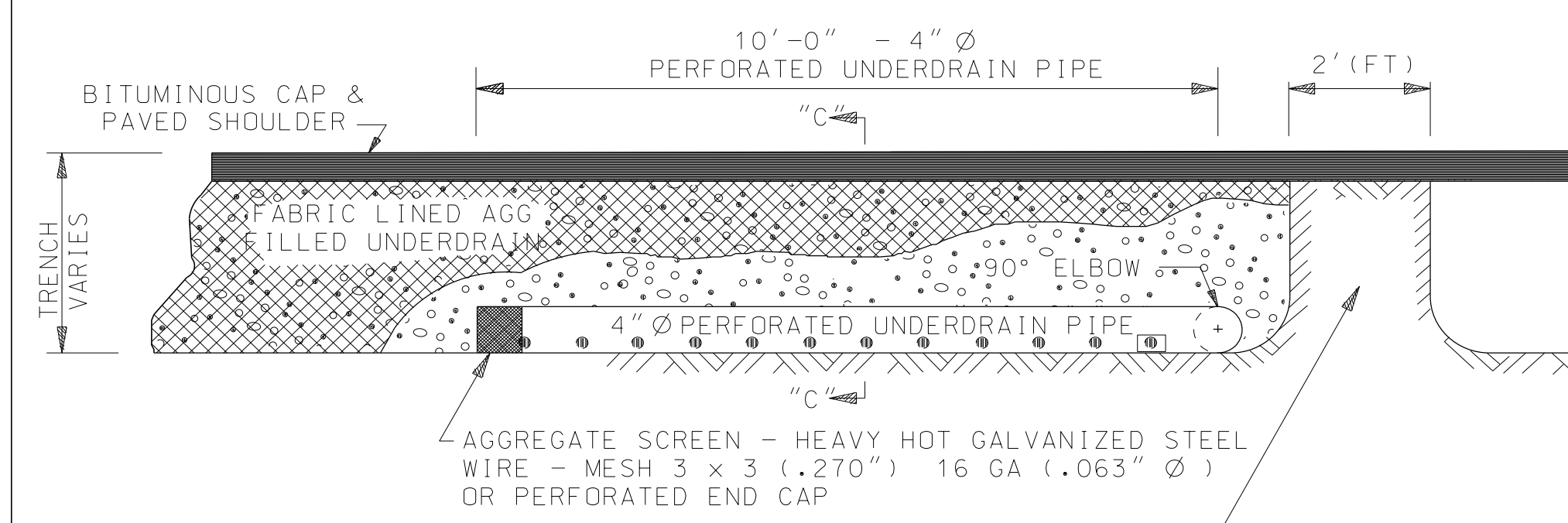


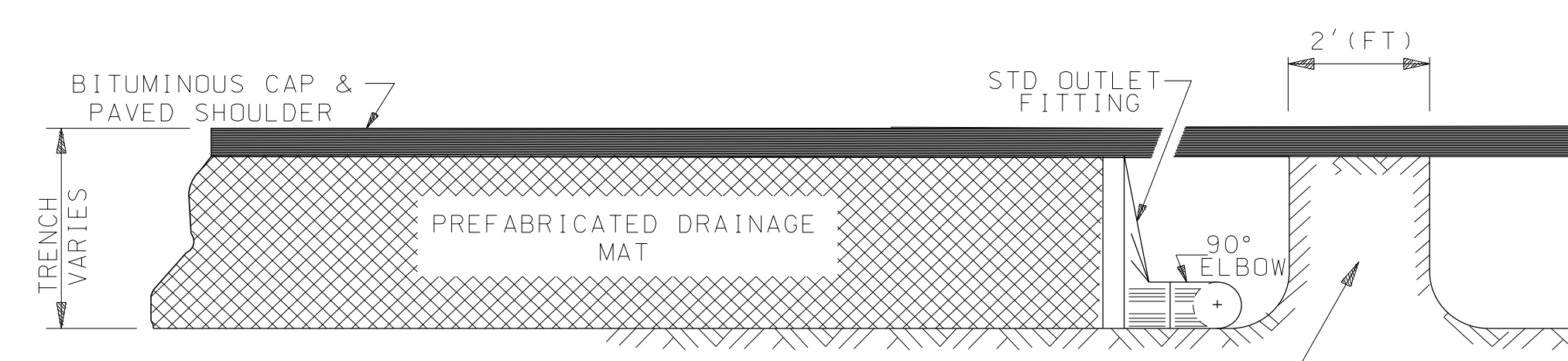
**SPECIAL UNDERDRAIN OUTLETS TYPES A & B**  
USING FABRIC LINED AGGREGATE FILLED UNDERDRAIN



**SPECIAL UNDERDRAIN OUTLETS TYPES A & B**  
USING PREFABRICATED DRAINAGE MAT UNDERDRAIN



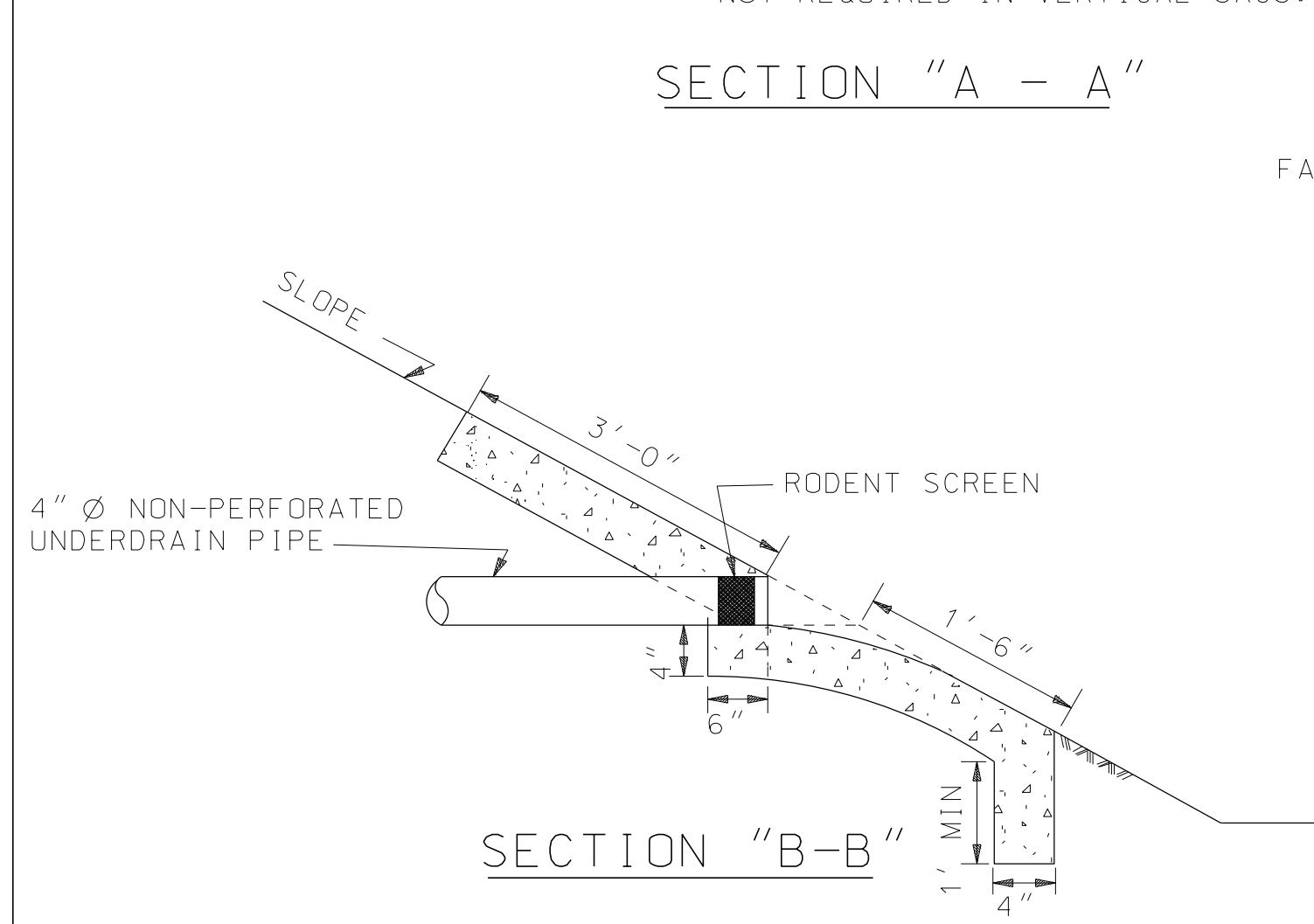
SECTION "A - A"



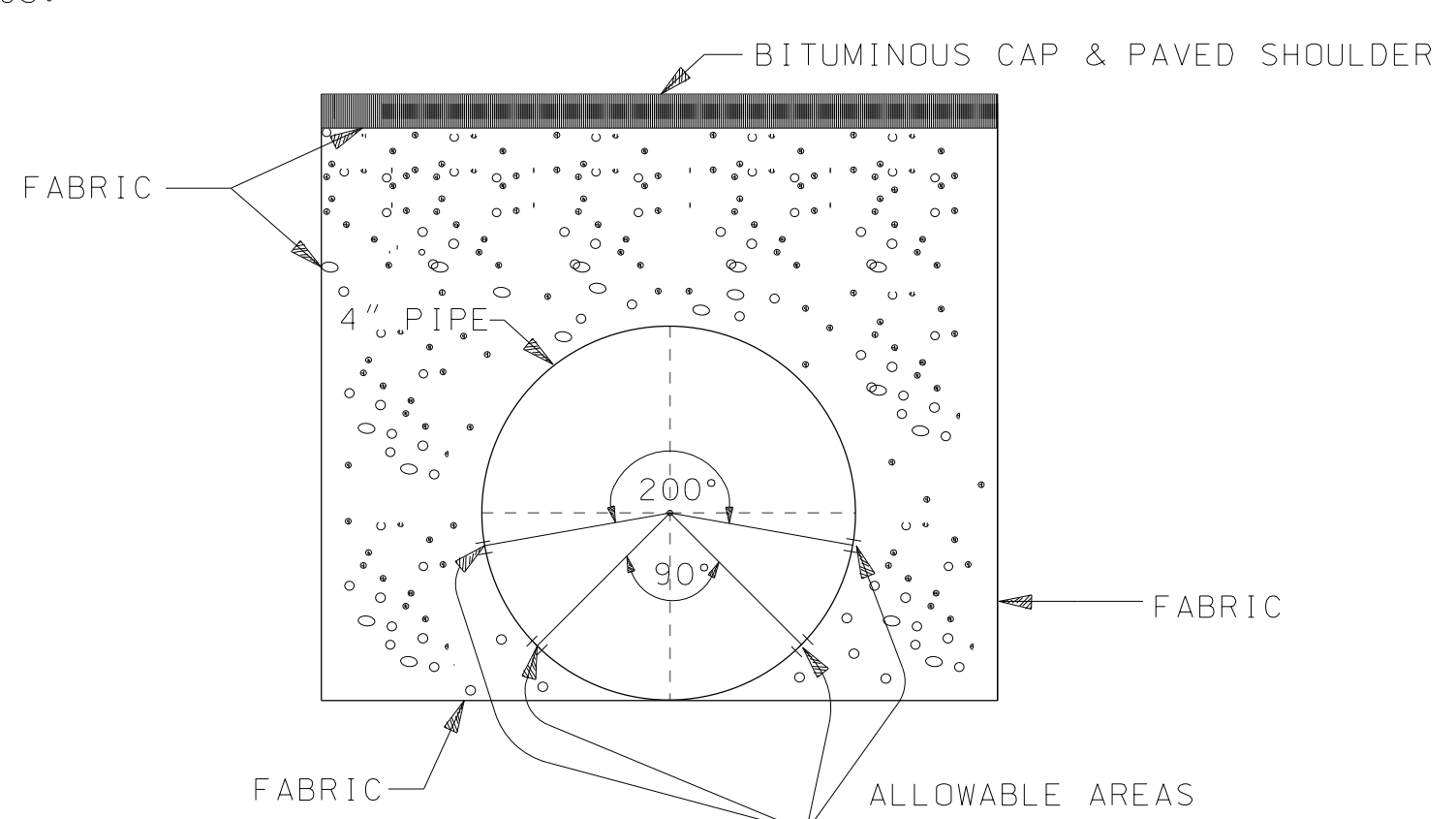
SECTION "A - A"

EXISTING ROADBED MATERIAL TO BE RETAINED AT 800 FT INTERVALS TO DIVERT WATER INTO OUTLET. NOT REQUIRED IN VERTICAL SAGS.

EXISTING ROADBED MATERIAL TO BE RETAINED AT 800 FT INTERVALS TO DIVERT WATER IN TO OUTLET. NOT REQUIRED IN VERTICAL SAGS.

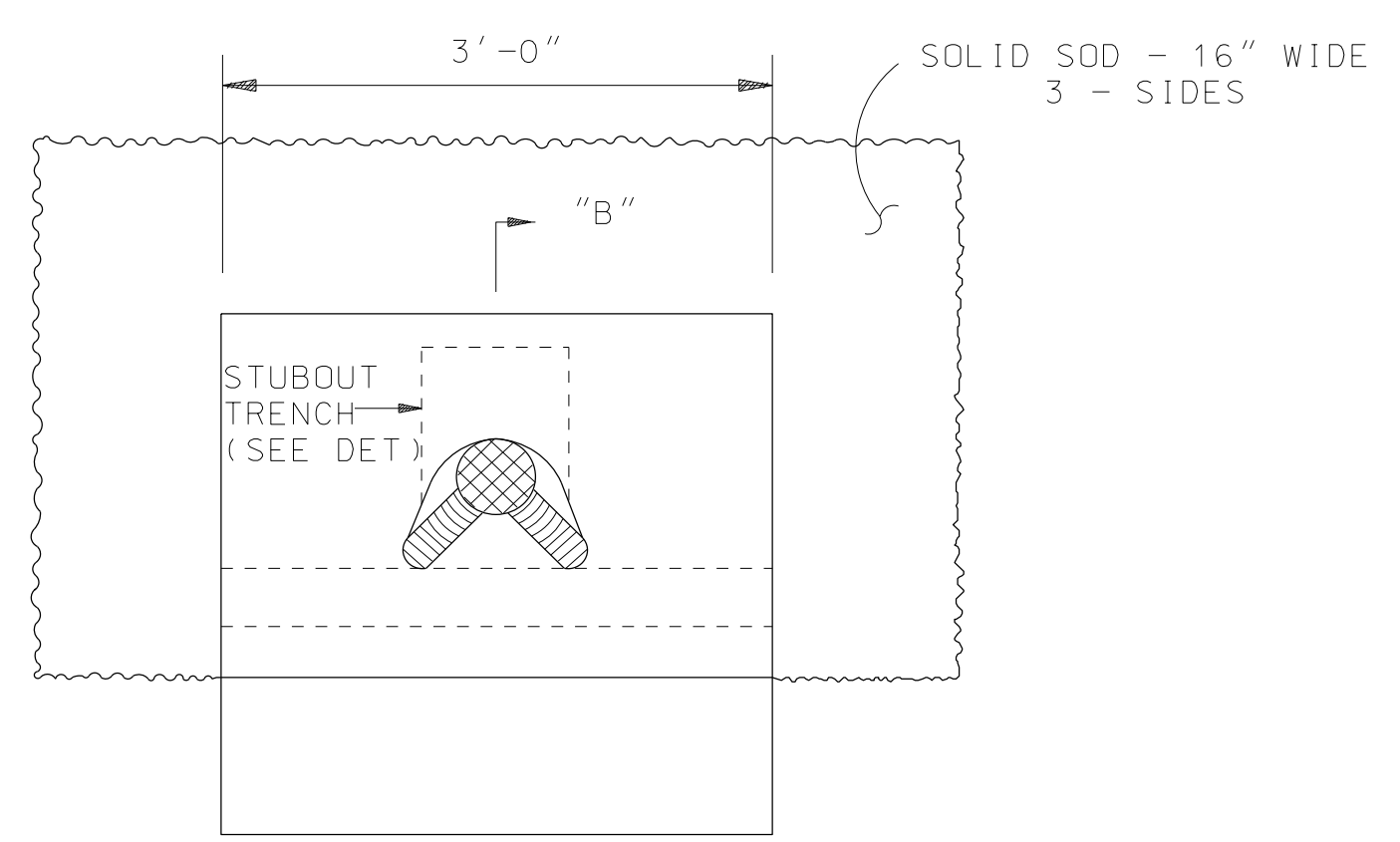


SECTION "B-B"



SECTION "C - C"

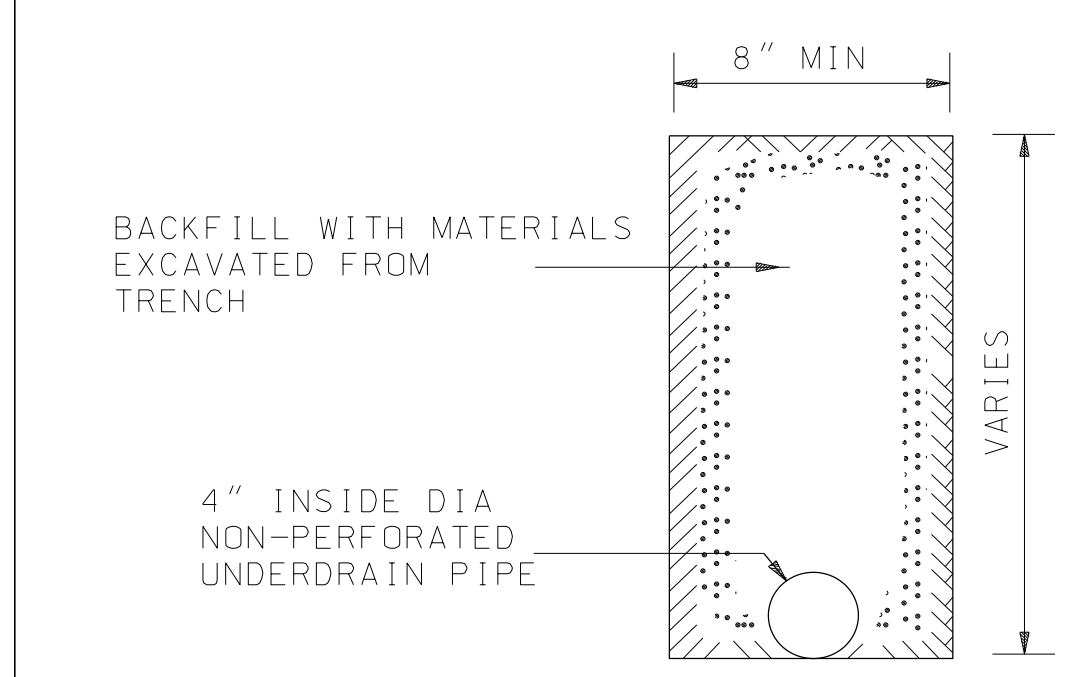
ALLOWABLE AREAS OF PERFORATIONS  
1/4" HOLES @ 3" +/- 1/4" CENTER TO CENTER



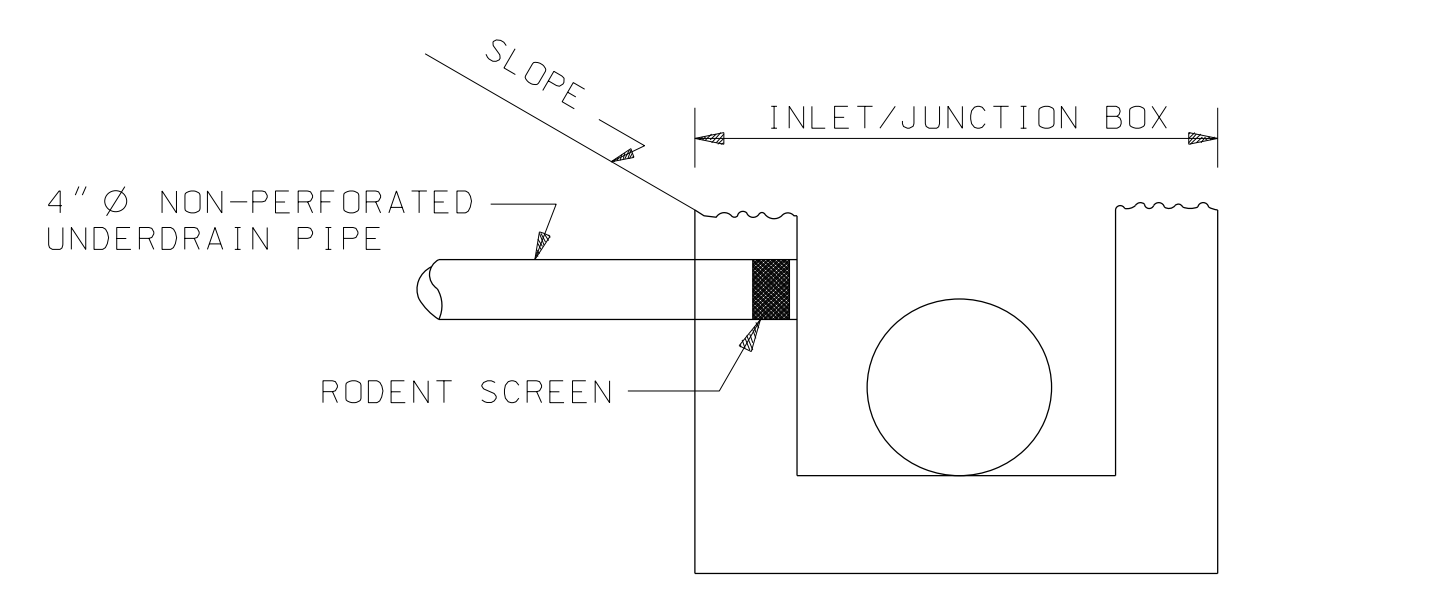
DETAIL OF SLOPE PAVED HEADWALL  
(TYPE 'A' OUTLET)

**GENERAL NOTES**

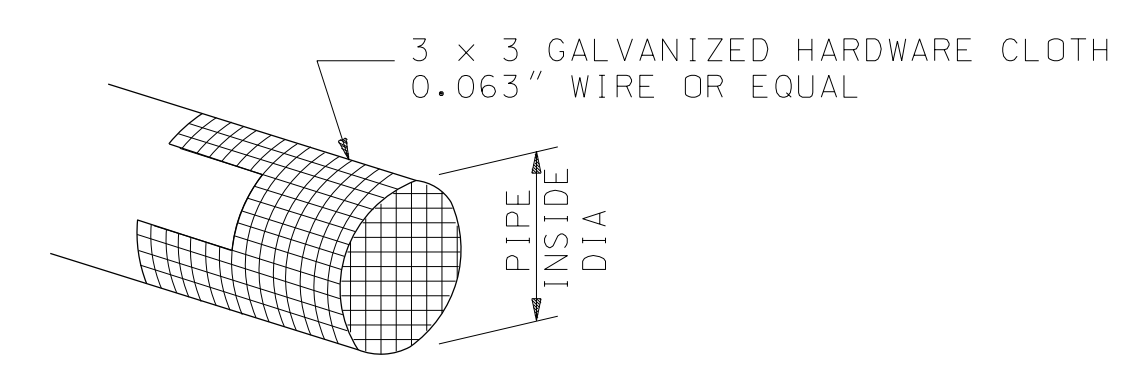
1. PAVEMENT EDGE DRAINS MAY BE EITHER AGGREGATE FILLED OR PREFABRICATED MAT UNLESS OTHERWISE SPECIFIED.
2. SPECIAL UNDERDRAIN OUTLETS SHALL BE PLACED AT 800 FOOT INTERVALS OR LOW POINT OF SAG VERTICAL CURVE OR CONVENIENT DRAINAGE STRUCTURE, INLET, JUNCTION BOX, ETC.
3. SPECIAL UNDERDRAIN OUTLETS TO BE PAID FOR UNDER SPECIAL UNDERDRAIN OUTLET, TYPE A OR B, PER EACH, 605-B.



DETAIL OF STUBOUT TRENCH



DETAIL OF TYPE "B" OUTLET



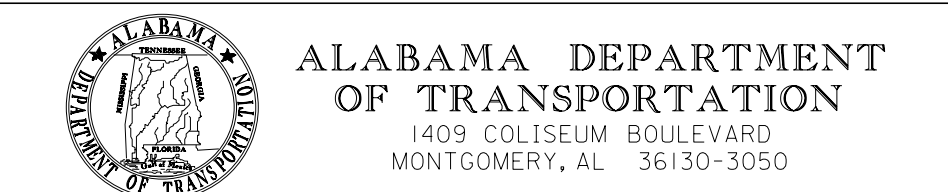
DETAIL OF RODENT SCREEN

SUGGESTED FABRICATION: PLACE 5" x 7" WIRE CLOTH ON 4" INSIDE DIA PIPE. PLACE 3" INSIDE DIA PIPE ON WIRE CLOTH, CENTERED FOR FORMING. PRESS 3" INSIDE DIA PIPE INTO 4" INSIDE DIA PIPE UNTIL WIRE CLOTH IS FORMED. REMOVE SCREEN AND INSERT SCREEN 4" TO 6" INTO OUTLET PIPE.

--SPECIFICATIONS--  
CURRENT ALABAMA DEPARTMENT OF TRANSPORTATION

THIS DRAWING REPRESENTS DESIGNS PREPARED FOR USE BY THE ALABAMA DEPARTMENT OF TRANSPORTATION AND IS NOT TO BE COPIED, REPRODUCED, ALTERED, OR USED BY ANYONE, OR ANY ORGANIZATION, WITHOUT THE EXPRESSED WRITTEN CONSENT OF THE ALABAMA DEPARTMENT OF TRANSPORTATION REPRESENTATIVE AUTHORIZED TO APPROVE THIS USE. ANYONE MAKING UNAUTHORIZED USE OF THIS DRAWING MAY BE PROSECUTED TO THE FULLEST EXTENT OF THE LAW.

- REVISIONS
1. Added to CADD on 06-21-99 by J.F.T.
  2. Added SECTION 'C-C' to show allowable areas of perforations on 08-02-13 by J.F.T.



DESIGN BUREAU SPECIAL DRAWING  
DETAILS OF SPECIAL UNDERDRAIN OUTLETS TYPES A AND B FOR USE AS PAVEMENT EDGE DRAINS

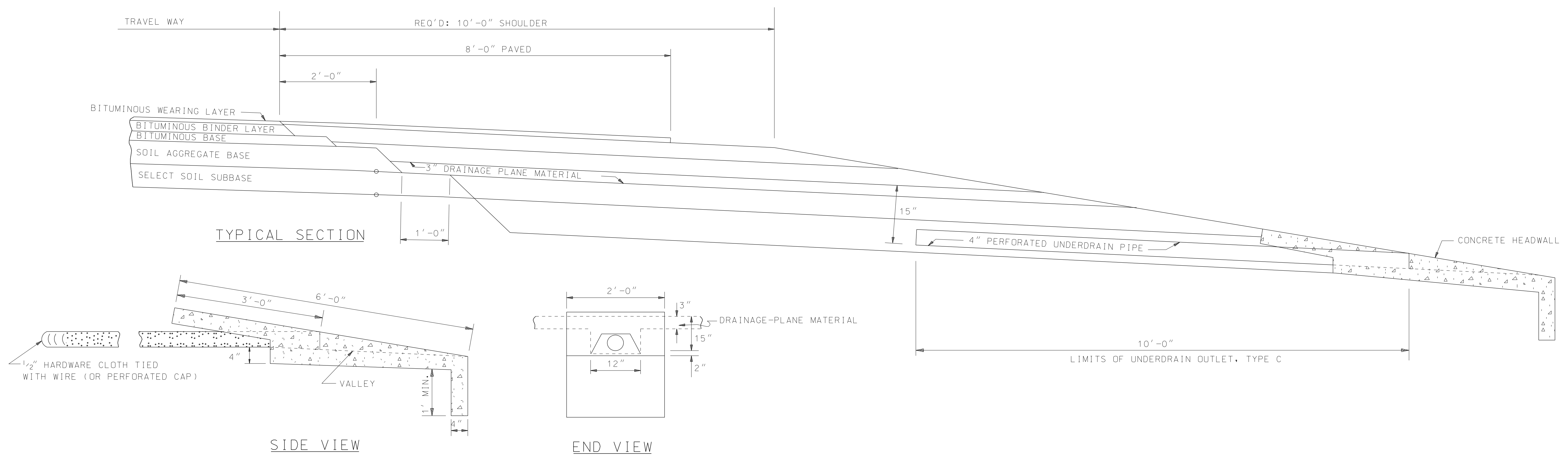
Bureau Std Engr: D.J.W.  
DRAWN BY: \_\_\_\_\_ DATE DRAWN: 12-12-89

SPECIAL DRAWING NO  
SUO-605-AB

INDEX NO  
60501

NOT TO SCALE

REFERENCE PROJECT NO	FISCAL YEAR	SHEET NO



**GENERAL NOTES**

1. THIS DRAWING DETAILS SLOPE PAVED OUTLET HEADWALLS FOR A 6:1 SLOPE. IT MAY BE ADAPTED FOR STEEPER SLOPES USING THE SAME DIMENSIONS SPECIFIED ON THIS DRAWING.
2. SPECIAL UNDERDRAIN OUTLETS WILL BE REQUIRED EVERY 300 FT ON EACH SIDE OF THE ROADWAY AND AT EACH SAG VERTICAL CURVE ALONG THE PROJECT.
3. IF UNDERDRAIN PIPE INTERCEPTS ANY EXISTING PAVED FLUME, CONCRETE HEADWALL MAY BE OMITTED AND THE OUTLET PIPE CONNECTED AND GROUTED THROUGH THE EXISTING FLUME.
4. SPECIAL UNDERDRAIN OUTLETS SHALL BE PAID FOR UNDER-SPECIAL UNDERDRAIN OUTLET, TYPE C, 605-B, EACH.

--SPECIFICATIONS--  
CURRENT ALABAMA DEPARTMENT OF TRANSPORTATION

THIS DRAWING REPRESENTS DESIGNS PREPARED FOR USE BY THE ALABAMA DEPARTMENT OF TRANSPORTATION AND IS NOT TO BE COPIED, REPRODUCED, ALTERED, OR USED BY ANYONE, OR ANY ORGANIZATION, WITHOUT THE EXPRESSED WRITTEN CONSENT OF THE ALABAMA DEPARTMENT OF TRANSPORTATION REPRESENTATIVE AUTHORIZED TO APPROVE THIS USE. ANYONE MAKING UNAUTHORIZED USE OF THIS DRAWING MAY BE PROSECUTED TO THE FULLEST EXTENT OF THE LAW.

<p>REVISIONS</p> <p>1. Added to CADD on 06-21-99 by J.F.T.</p>	<p><b>ALABAMA DEPARTMENT OF TRANSPORTATION</b> 1409 COLISEUM BOULEVARD MONTGOMERY, AL 36130-3050</p> <p>DESIGN BUREAU SPECIAL DRAWING</p> <p>DETAILS OF SPECIAL UNDERDRAIN OUTLETS TYPE C</p>
<p>Bureau Std Engr: D.J.W. DRAWN BY: _____ DATE DRAWN: 04-15-82</p>	<p>SPECIAL DRAWING NO SU0-605-B</p> <p style="text-align: right;">INDEX NO 60504</p>

NOT TO SCALE