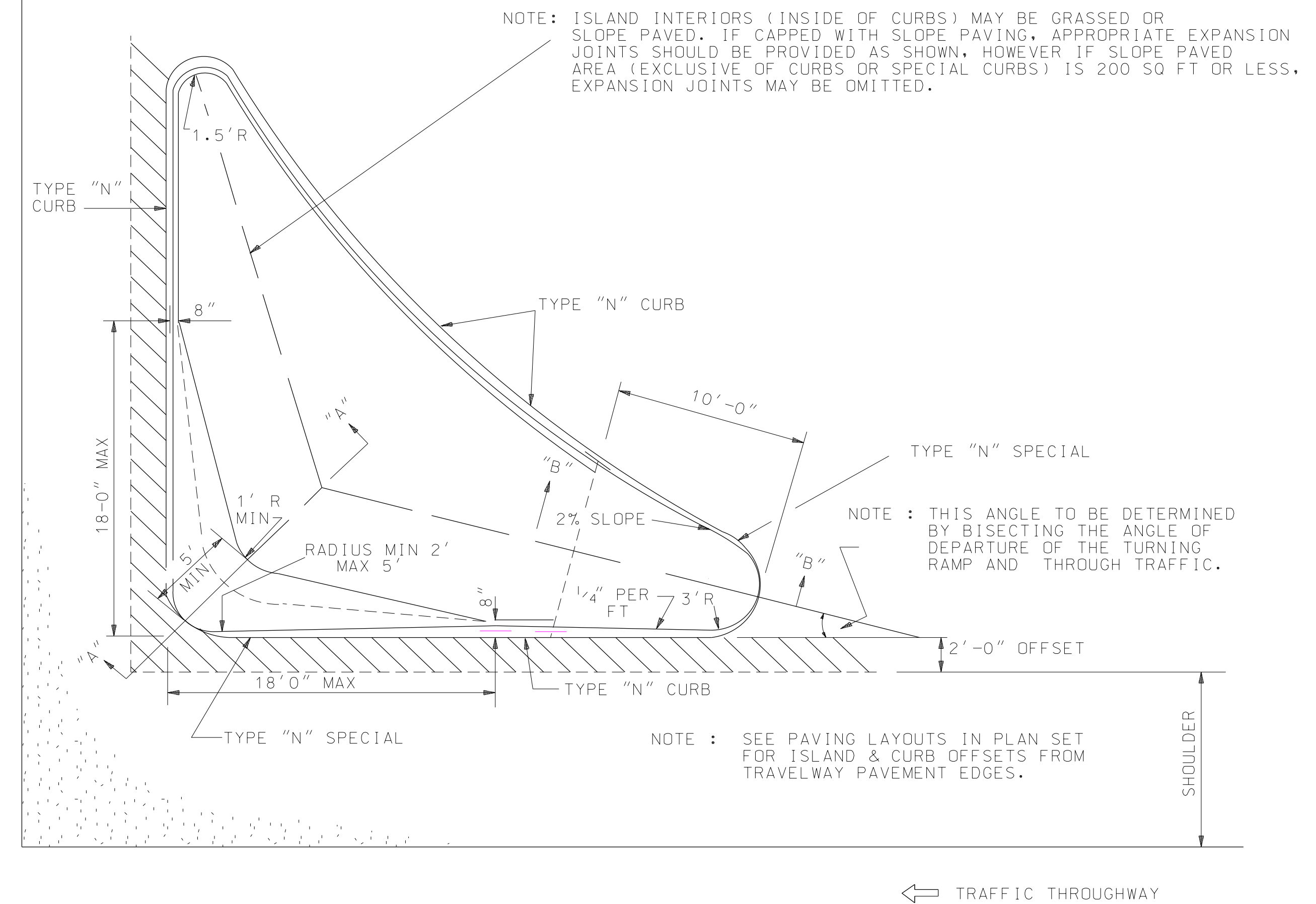
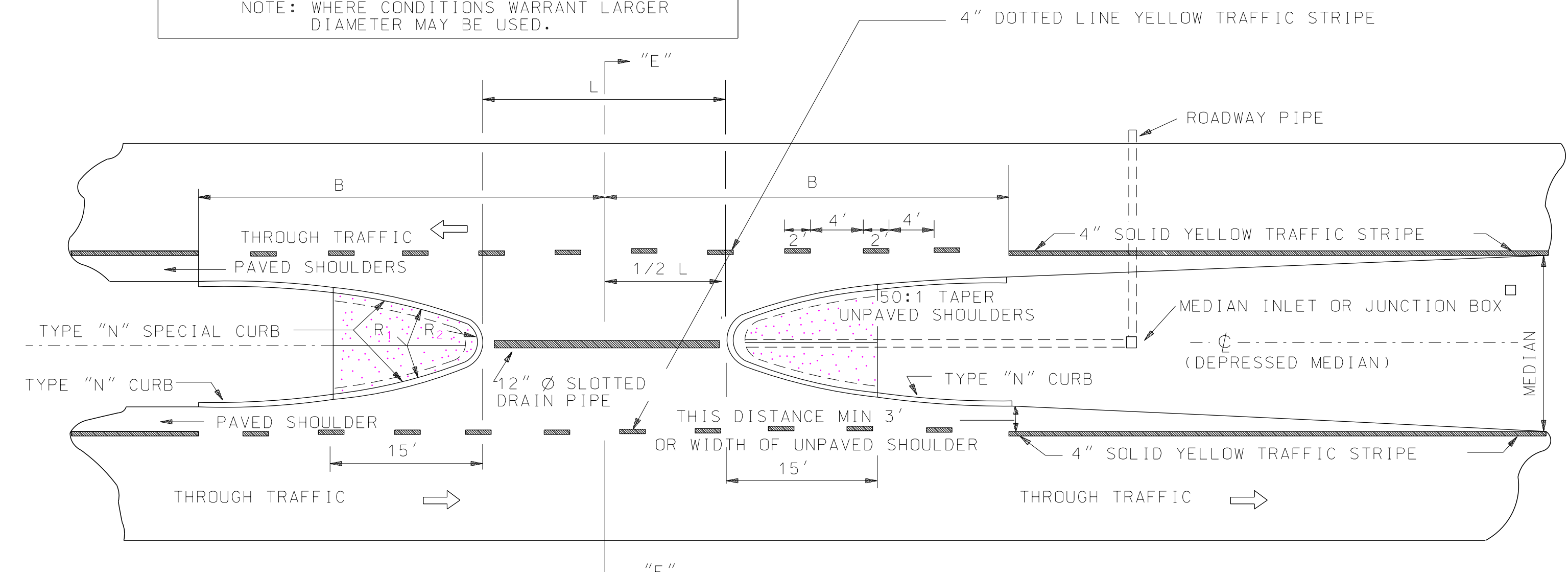


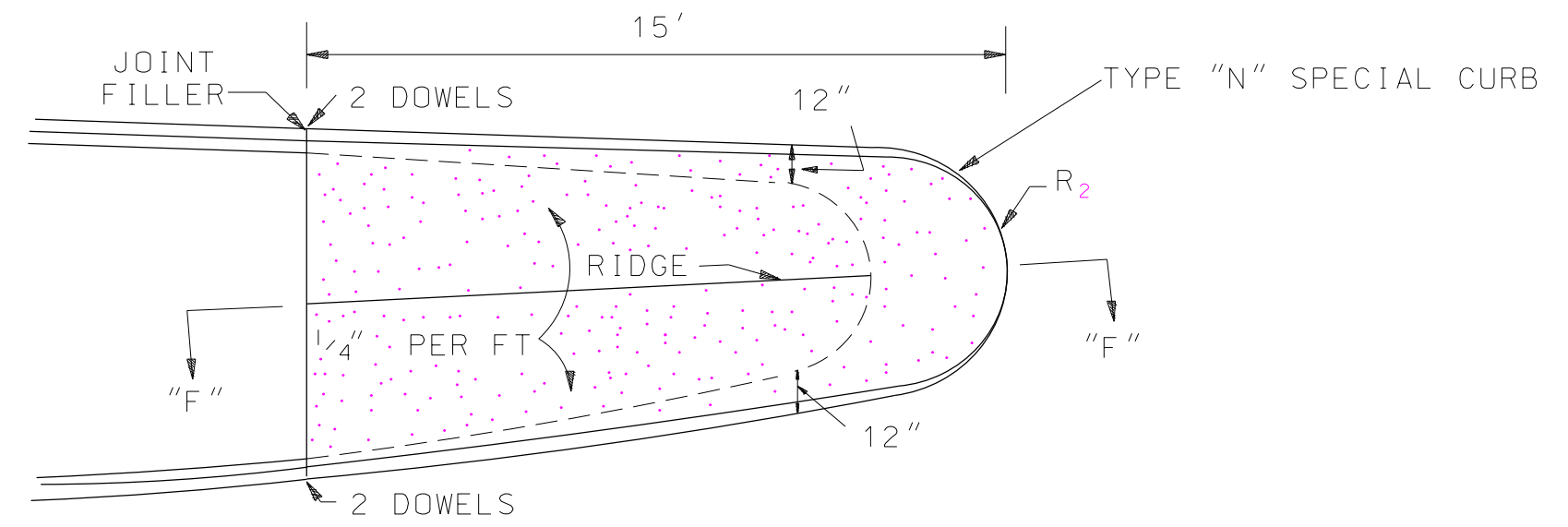
IT IS DESIRABLE THAT SLOTTED DRAIN SHOULD DRAIN INTO MEDIAN INLET OR JUNCTION BOX. WHERE 12" Ø SLOTTED DRAIN PIPE IS USED AND CONNECTION TO MEDIAN INLET OR JUNCTION BOX IS NOT FEASIBLE, A SLOPE PAVED HEADWALL WILL BE ACCEPTABLE.



DETAILS WITH PAVED SHOULDERS ABOVE DETAILS PAVING DETAILS FOR UNPAVED SHOULDERS

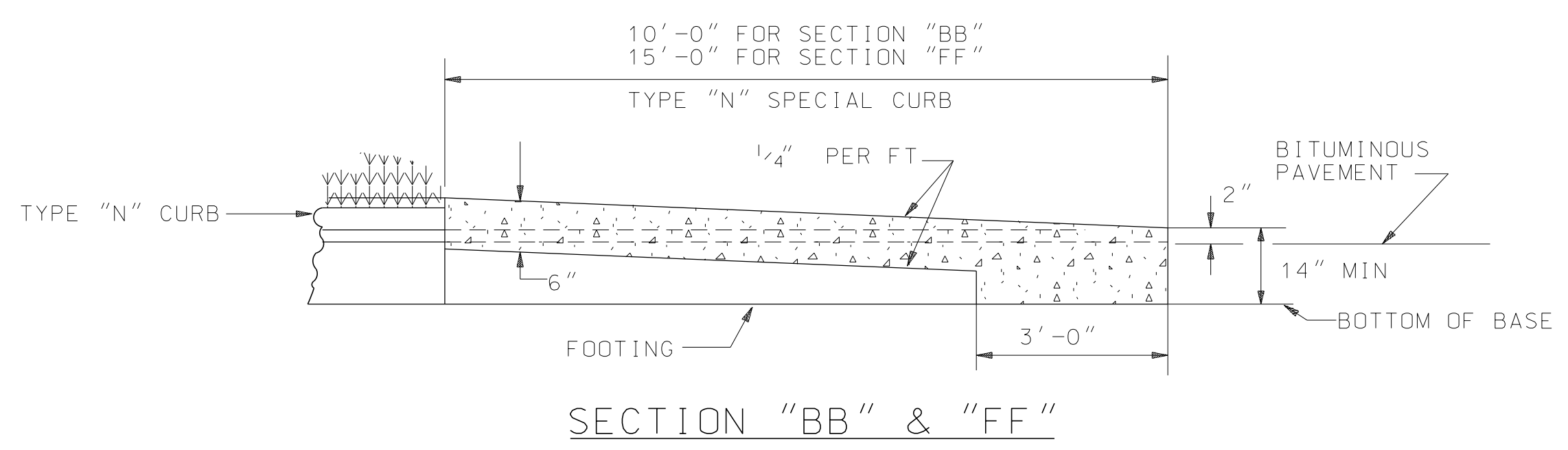
THE 5" OR 6" TRAFFIC STRIPE IS OPTIONAL AT LOCATIONS SHOWN AS 4" STRIPE. THE PAYMENT OF THE 5" OR 6" TRAFFIC STRIPE WILL BE IDENTIFIED IN THE PAY ITEM USED.

M WIDTH OF MEDIAN (FEET)	DIMENSIONS IN FEET, WHEN					
	R <sub>1</sub> = 90'		R <sub>1</sub> = 150'		R <sub>1</sub> = 230'	
	L	B	L	B	L	B
20'	58	65	66	78	71	90
30'	48	68	57	85	63	101
40'	40	71	50	90	57	109
50'	-	-	44	95	51	115
60'	-	-	-	-	46	122
70'	-	-	-	-	41	128

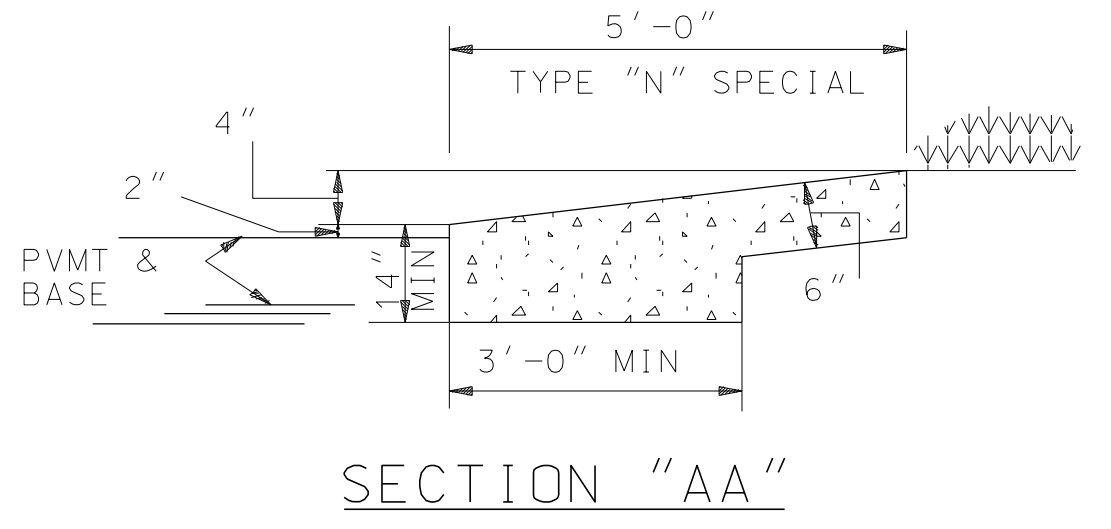


R<sub>2</sub> = 1/2 MEDIAN WIDTH MAX BUT IT IS PLEASING IN PROPORTION AND APPEARANCE WHEN IT IS ABOUT 1/5 OF THE MEDIAN WIDTH.

GORE DETAILS FOR RAISED CURBED ISLANDS OUTSIDE SHOULDER



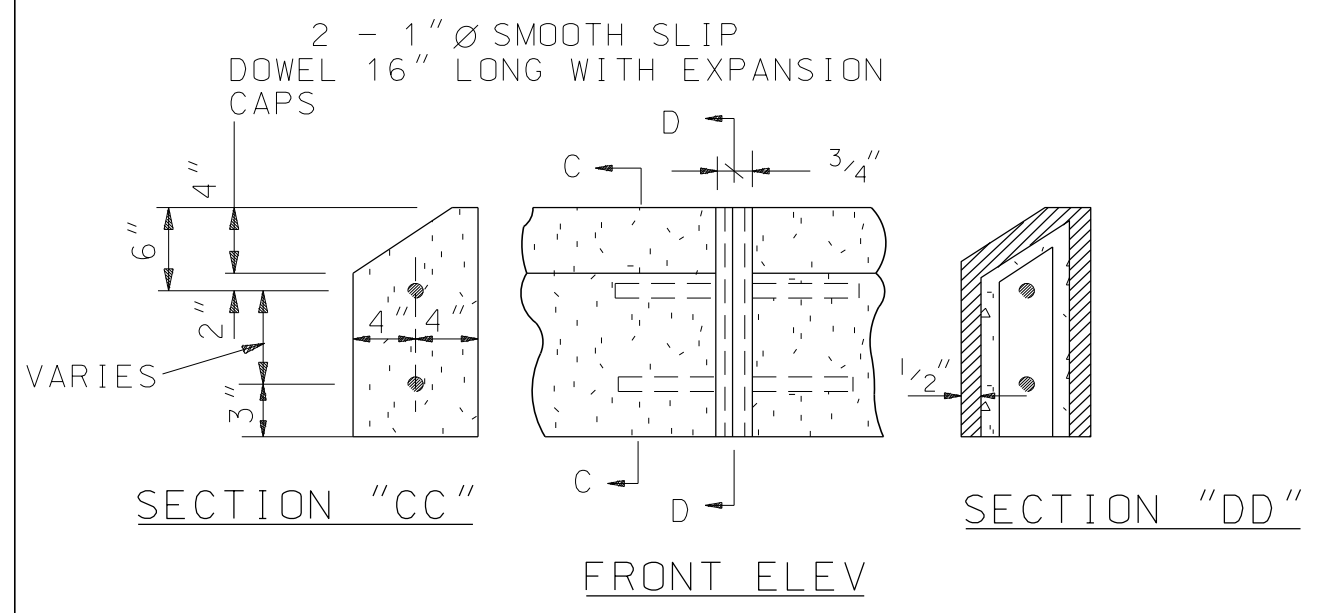
TOP VIEW OF GORE PAVING



SECTION "AA"

GENERAL NOTES

- PAYMENT AND MEASUREMENT OF CONC NOSE WILL BE MADE UNDER TYPE "N" (SPECIAL) PER LIN FT. THE GORE SECTION OF TYPE "N" (SPECIAL) SHALL BE MEASURED FROM THE END OF TYPE "N" STANDARD CURB AT THE JOINT AROUND THE GORE IN THE GUTTER TO THE OTHER JOINT.
- WHEN THE ISLAND INTERIOR IS PAVED WITH SLOPE PAVING, THE JOINT WITH THE CURBS SHALL BE A BUTT TYPE CONSTRUCTION JOINT UNLESS OTHERWISE NOTED OR DIRECTED BY THE ENGINEER.
- FILLER AND SEALER FOR EXPANSION JOINTS SHALL BE AS OUTLINED IN ARTICLES 832.01 AND 832.02 ALDOT SPECIFICATIONS.
- FOR HIGH SPEED RURAL DESIGNS NO CURB SHALL BE USED. THE GORE AND NOSE SHALL CONFORM TO SAME GEOMETRIC DESIGN EXCEPT THAT INSIDE SHOULDER PAVEMENT SHALL BE EXTENDED AROUND EDGES OF CROSSOVER, IN THIS CASE THE DRAINAGE PROBLEM WILL BE ELIMINATED AND WILL NOT REQUIRE SLOTTED DRAINS.
- A CORRUGATED SLOTTED DRAIN PIPE WILL BE REQUIRED WHERE PONDING MAY TAKE PLACE IN A VERTICAL SAG OR FLAT GRADE.
- AT MEDIAN CROSSOVERS THE PLACING OF SOLID EDGELINE IS TO BE STOPPED FROM RADIUS POINT TO RADIUS POINT, IN THE SAME BASIC METHOD USED AT CROSS STREET INTERSECTIONS A DOTTED EDGELINE SHALL BE EXTENDED ACROSS THE MEDIAN OPENING FROM RADIUS POINT TO RADIUS POINT IN A PATTERN OF 2 FT LINE LENGTHS AND 4 FT GAPS.



DETAIL OF EXPANSION JOINT

--SPECIFICATIONS--  
CURRENT ALABAMA DEPARTMENT OF TRANSPORTATION

THIS DRAWING REPRESENTS DESIGNS PREPARED FOR USE BY THE ALABAMA DEPARTMENT OF TRANSPORTATION AND IS NOT TO BE COPIED, REPRODUCED, ALTERED, OR USED BY ANYONE, OR ANY ORGANIZATION, WITHOUT THE EXPRESSED WRITTEN CONSENT OF THE ALABAMA DEPARTMENT OF TRANSPORTATION REPRESENTATIVE AUTHORIZED TO APPROVE THIS USE. ANYONE MAKING UNAUTHORIZED USE OF THIS DRAWING MAY BE PROSECUTED TO THE FULLEST EXTENT OF THE LAW.

REVISIONS  
1. Added to CADD to 08-23-00 by J.F.T.  
2. Noted 5' or 6' optional stripe width on 08-23-07 by W.W.A.

ALABAMA DEPARTMENT OF TRANSPORTATION  
1409 COLISEUM BOULEVARD  
MONTGOMERY, AL 36130-3050  
DESIGN BUREAU SPECIAL DRAWING  
DETAILS OF MEDIAN OPENING AND SAFETY GORES AT TRAFFIC CHANNEL ISLANDS

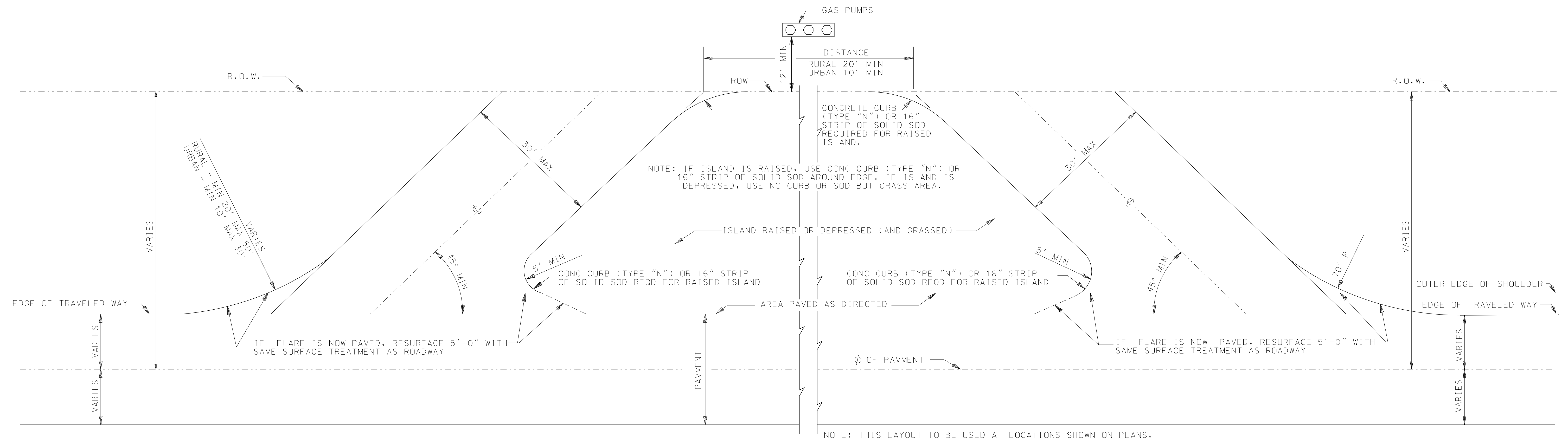
Bureau Std Engr: D.J.W.  
DRAWN BY: \_\_\_\_\_ DATE DRAWN: 11-06-90

SPECIAL DRAWING NO  
623-N SPEC

INDEX NO  
62301

NOT TO SCALE

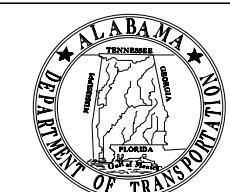
REFERENCE PROJECT NO	FISCAL YEAR	SHEET NO



--SPECIFICATIONS--  
CURRENT ALABAMA DEPARTMENT OF TRANSPORTATION

THIS DRAWING REPRESENTS DESIGNS PREPARED FOR USE BY THE ALABAMA DEPARTMENT OF TRANSPORTATION AND IS NOT TO BE COPIED, REPRODUCED, ALTERED, OR USED BY ANYONE, OR ANY ORGANIZATION, WITHOUT THE EXPRESSED WRITTEN CONSENT OF THE ALABAMA DEPARTMENT OF TRANSPORTATION REPRESENTATIVE AUTHORIZED TO APPROVE THIS USE. ANYONE MAKING UNAUTHORIZED USE OF THIS DRAWING MAY BE PROSECUTED TO THE FULLEST EXTENT OF THE LAW.

REVISIONS  
1. Added to CADD on 08-23-00 by J.F.T.



**ALABAMA DEPARTMENT OF TRANSPORTATION**  
1409 COLISEUM BOULEVARD  
MONTGOMERY, AL 36130-3050

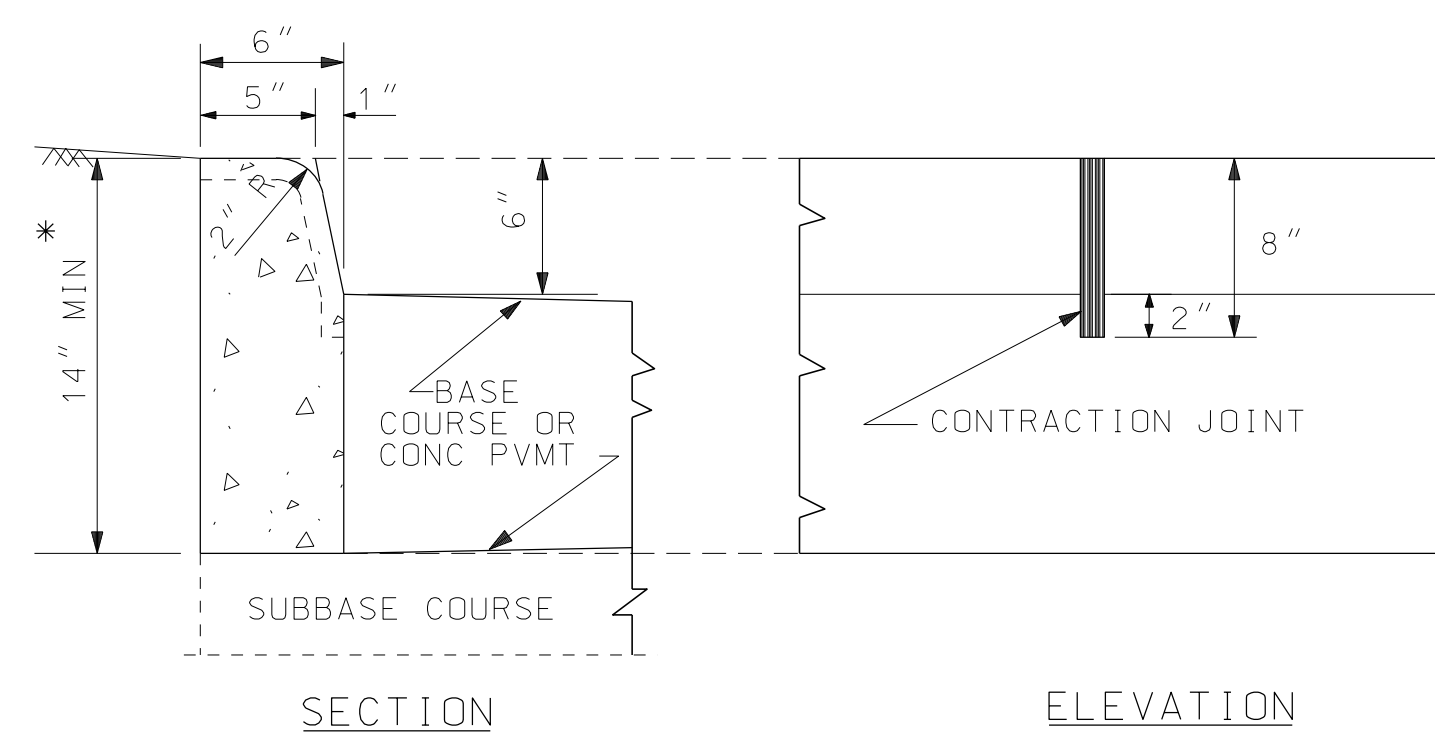
DESIGN BUREAU SPECIAL DRAWING  
TYPICAL CHANNELIZATION AT SERVICE STATIONS

Bureau Std Engr: D.J.W.  
DRAWN BY: C.J.S. DATE DRAWN: 01-31-92

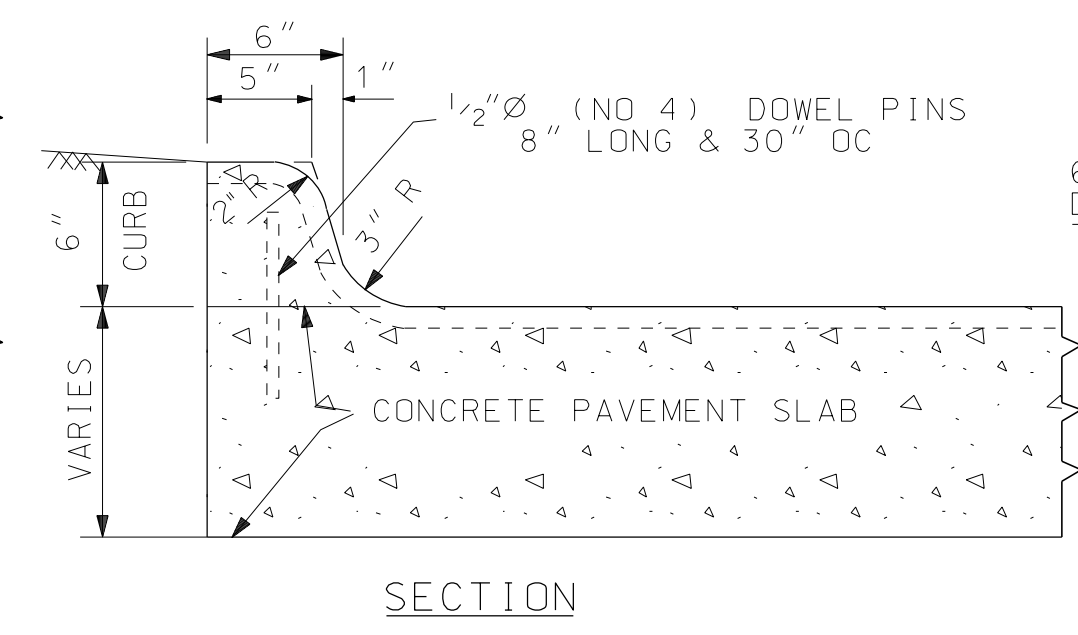
SPECIAL DRAWING NO  
623-SC

INDEX NO  
62304

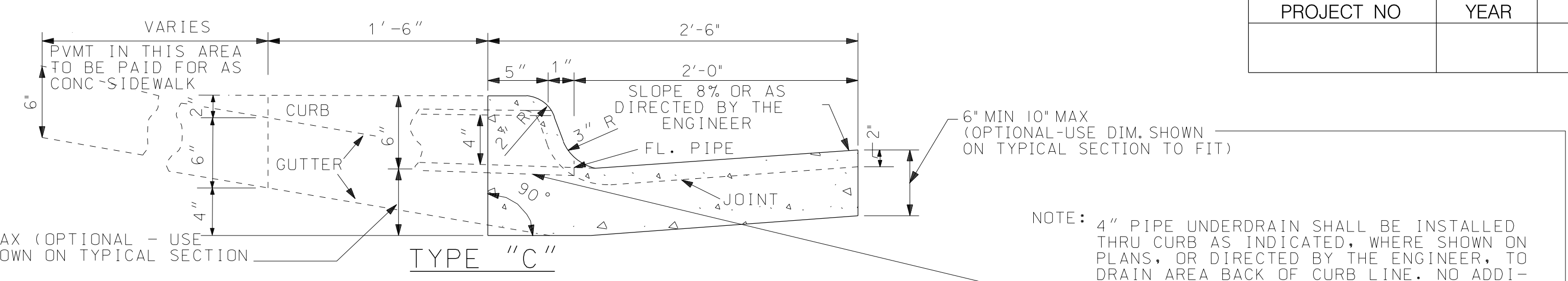
NOT TO SCALE



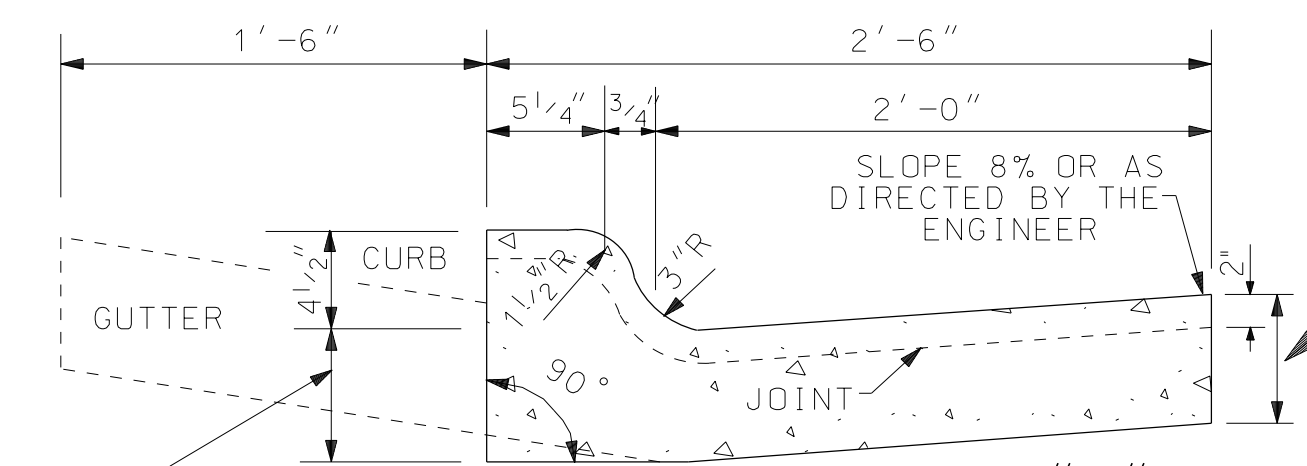
TYPE "A"  
VERTICAL TYPE



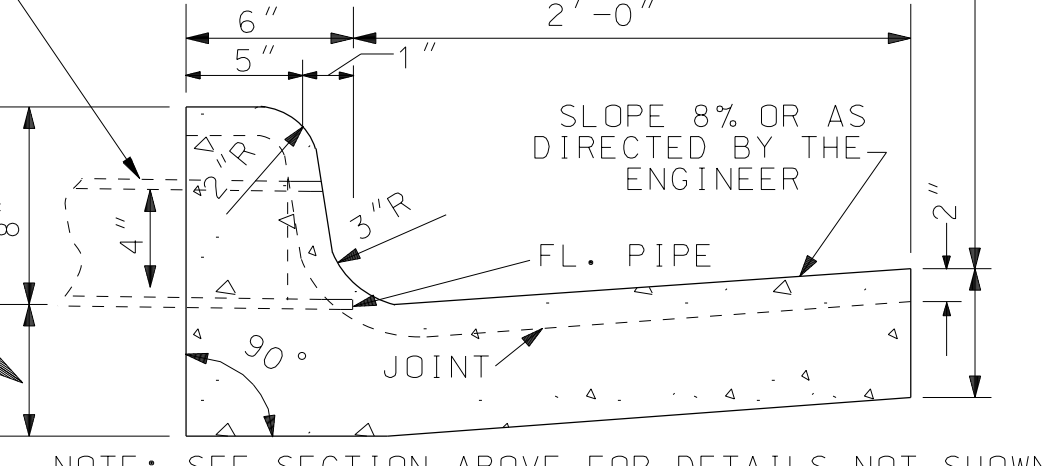
TYPE "B"  
SLOPING TYPE



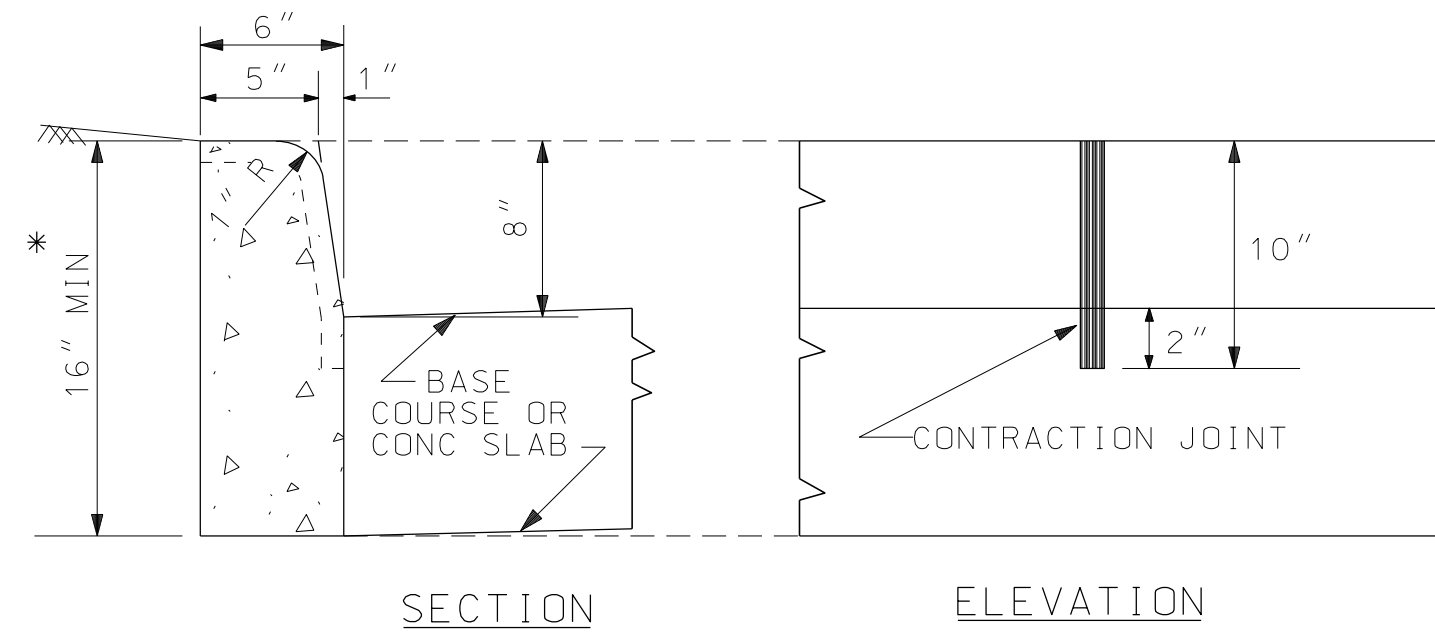
TYPE "C"  
COMBINATION CURB AND GUTTER  
SLOPING TYPE



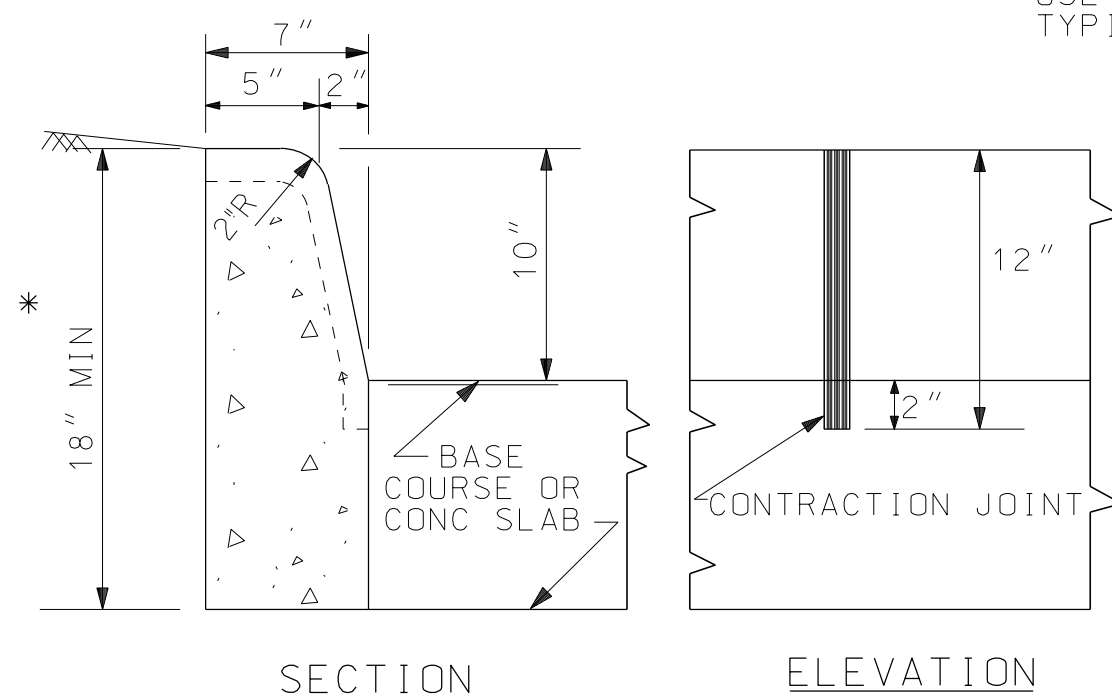
TYPE "L"  
COMBINATION CURB AND GUTTER  
SLOPING TYPE



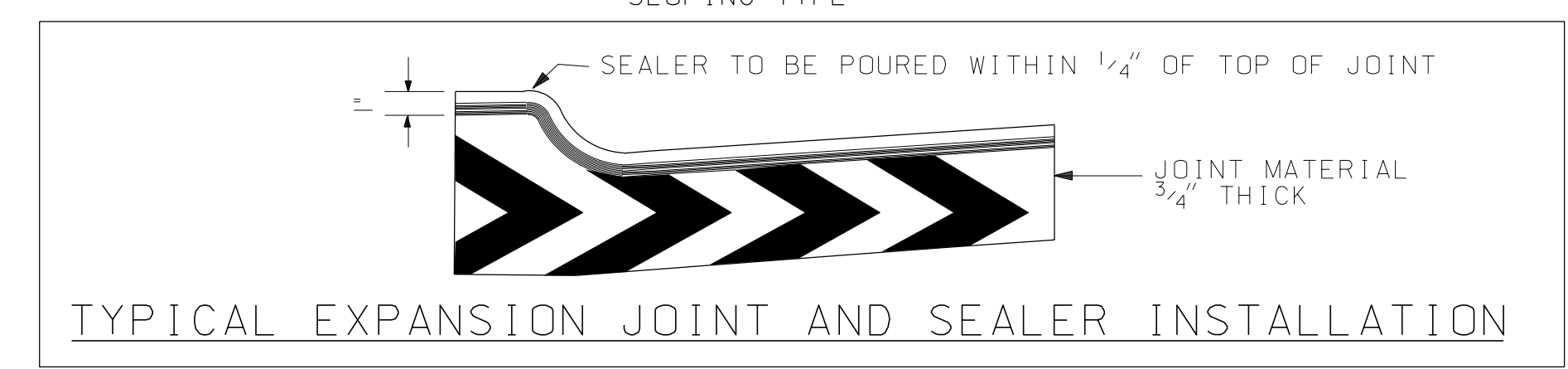
TYPE "K"  
COMBINATION CURB AND GUTTER  
VERTICAL TYPE



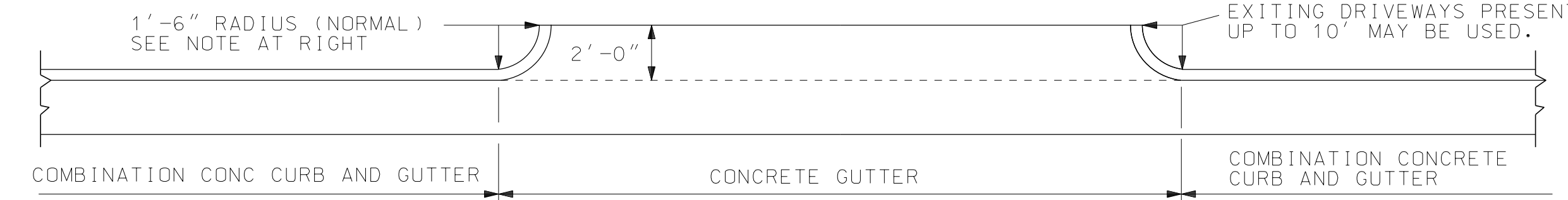
TYPE "D"  
VERTICAL TYPE



TYPE "E"  
VERTICAL TYPE



TYPICAL EXPANSION JOINT AND SEALER INSTALLATION

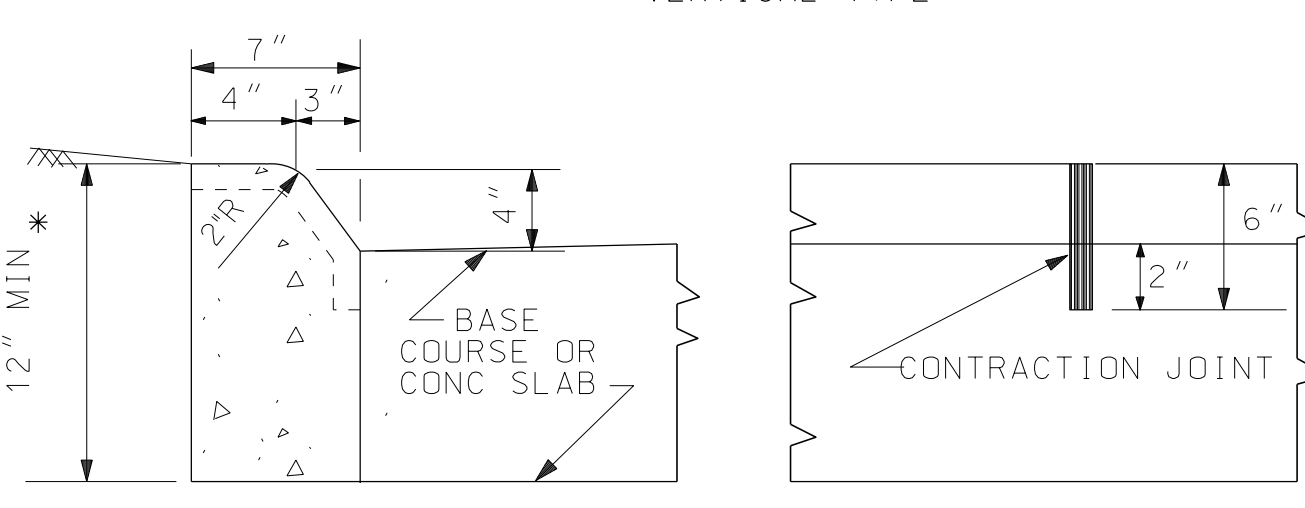


NOTE: THE LENGTH OF THE COMBINATION CONCRETE CURB AND GUTTER SHALL BE MEASURED ALONG FLOW LINE OF GUTTER. SECTION OF CONCRETE GUTTER ACROSS TURNOUTS FOR DRIVEWAYS, ETC. SHALL BE MEASURED FROM RADIUS POINT TO RADIUS POINT ALONG THE FLOW LINE OF THE GUTTER AND PRICE BID PER LINEAR FOOT SHALL INCLUDE THE RETURN CURB.

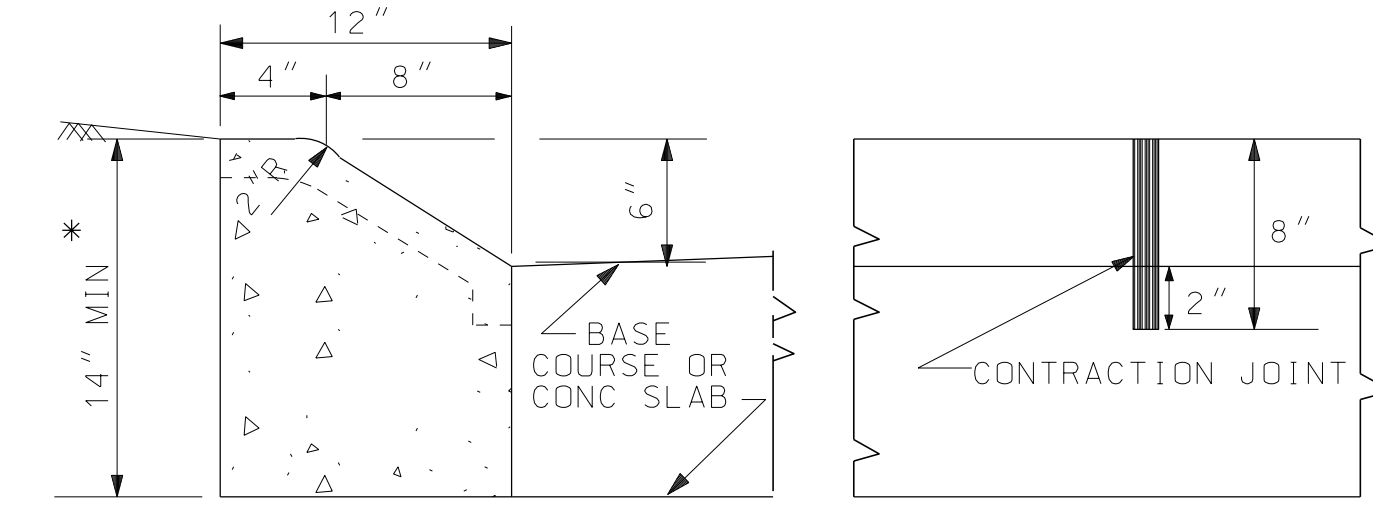
PLAN OF COMBINATION CURB AND GUTTER AT DRIVEWAYS

GENERAL NOTES FOR CURB AND CURB AND GUTTER

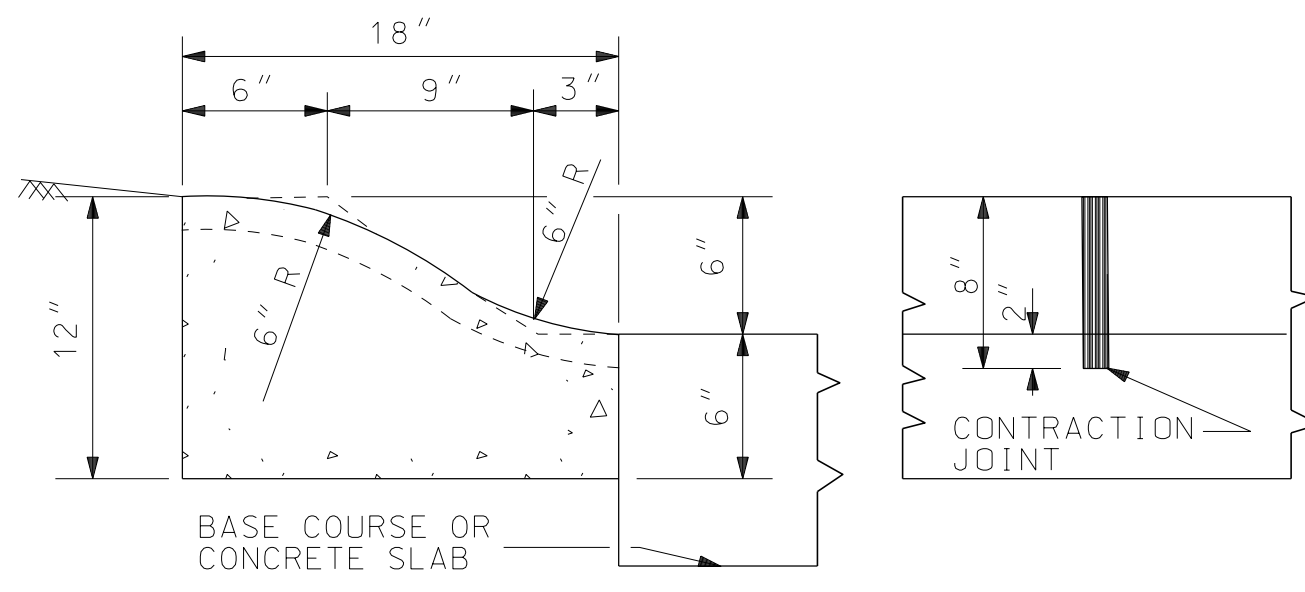
1. THE CONTRACTOR MAY BE REQUIRED TO EXCEED THE MINIMUM CURB HEIGHT SHOWN IN ORDER TO PLACE CURB ON A BASE LAYER. UP TO 4" ADDITIONAL CURB HEIGHT WILL BE INCLUDED IN THE COST OF THIS STANDARD CURB.
2. IN SUPERELEVATED SECTIONS ON THE HIGH SIDE OF THE ROADWAY, THE GUTTER SLOPE SHOULD MATCH THE SLOPE OF THE ROADWAY. WHERE FOR DRAINAGE PURPOSES IT IS NECESSARY TO KEEP THE FLOW OF WATER IN THE GUTTER, THE ROLLOVER AT THE GUTTER EDGE SHOULD NOT EXCEED 7% ALGEBRAIC DIFFERENCE IN PAVEMENT AND GUTTER SLOPE.



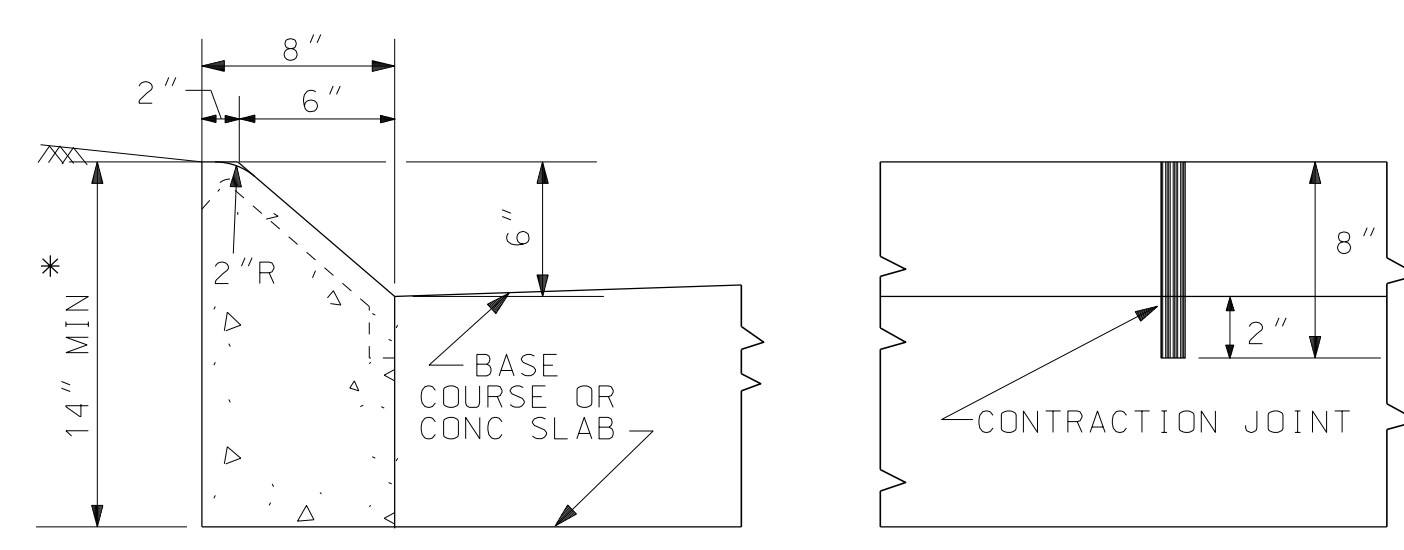
TYPE "F"  
SLOPING TYPE



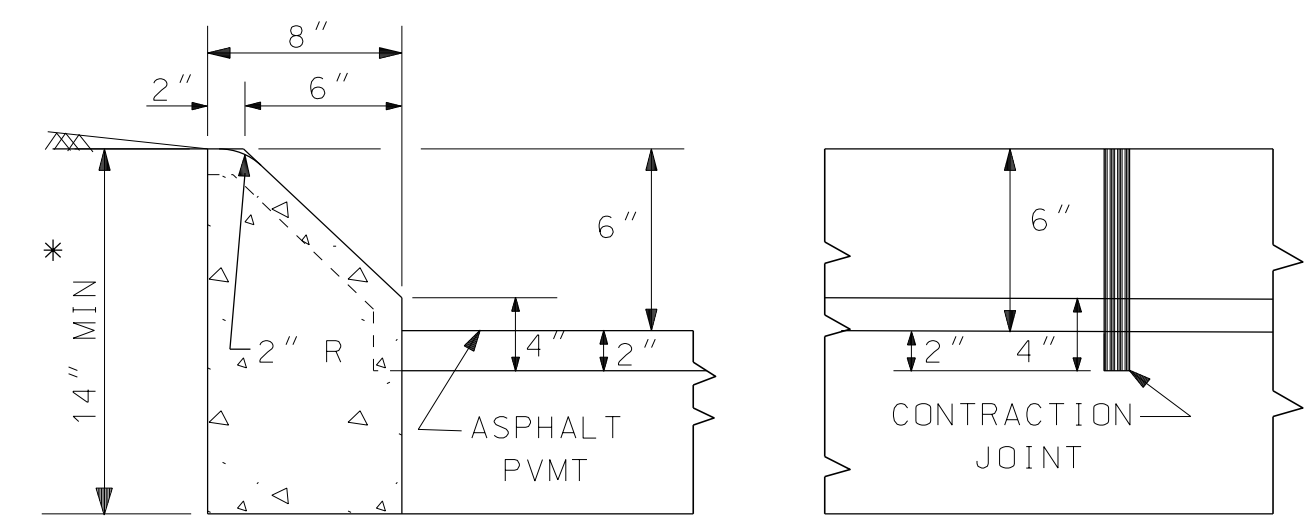
TYPE "G"  
SLOPING TYPE



TYPE "H"  
SLOPING TYPE



TYPE "J"  
SLOPING TYPE



TYPE "N"  
SLOPING TYPE

CURBS

--SPECIFICATIONS--  
CURRENT ALABAMA DEPARTMENT OF TRANSPORTATION

THIS DRAWING REPRESENTS DESIGNS PREPARED FOR USE BY THE ALABAMA DEPARTMENT OF TRANSPORTATION AND IS NOT TO BE COPIED, REPRODUCED, ALTERED, OR USED BY ANYONE, OR ANY ORGANIZATION, WITHOUT THE EXPRESSED WRITTEN CONSENT OF THE ALABAMA DEPARTMENT OF TRANSPORTATION REPRESENTATIVE AUTHORIZED TO APPROVE THIS USE. ANYONE MAKING UNAUTHORIZED USE OF THIS DRAWING MAY BE PROSECUTED TO THE FULLEST EXTENT OF THE LAW.

REVISIONS

1. Added to CADD on 03-29-99 by Joe Thomas.
2. Clarified note no. 5 as to additional curb height cost on 04-24-02 by J.F.T.
3. Changed the words 'MOUNTABLE' & 'BARRIER' to 'SLOPING' & 'VERTICAL'. Revised on 02-14-06 by W.W.A. Individually placed type of CURB & GUTTER and deleted General Notes no's 1-4 on 09-23-08 by W.W.A. Added General Note 2 on 9/26/19 by D.J.W.
- 4.
- 5.

ALABAMA DEPARTMENT OF TRANSPORTATION  
1409 COLISEUM BOULEVARD  
MONTGOMERY, AL 36130-3050

DESIGN BUREAU SPECIAL DRAWING

DETAILS OF CONCRETE CURBS AND CONCRETE CURB & GUTTER COMBINATIONS, SLOPING AND VERTICAL TYPES

Bureau Std Engr: D.J.W.  
DRAWN BY: \_\_\_\_\_ DATE DRAWN: 03-31-93

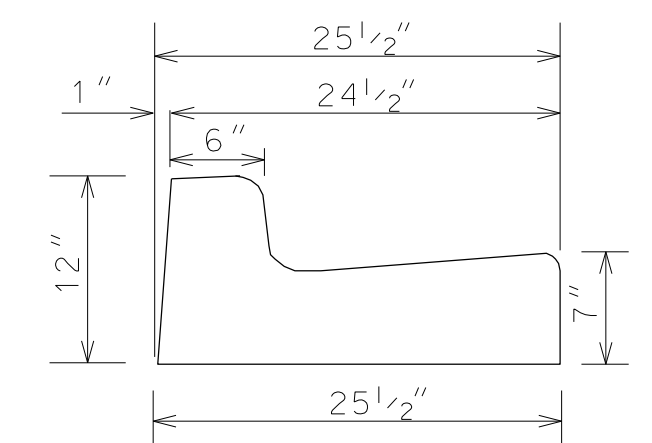
SPECIAL DRAWING NO  
623-XY

INDEX NO  
62307

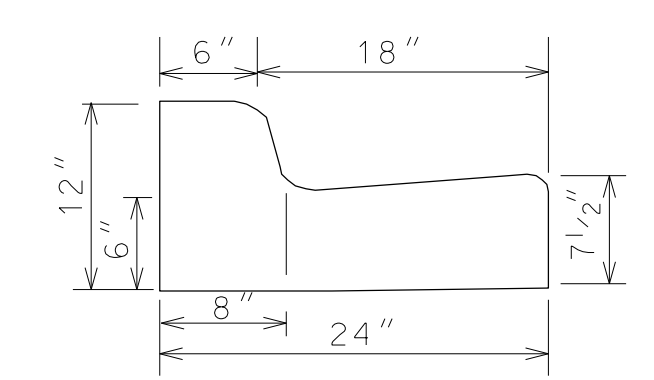
NOT TO SCALE

REFERENCE PROJECT NO	FISCAL YEAR	SHEET NO

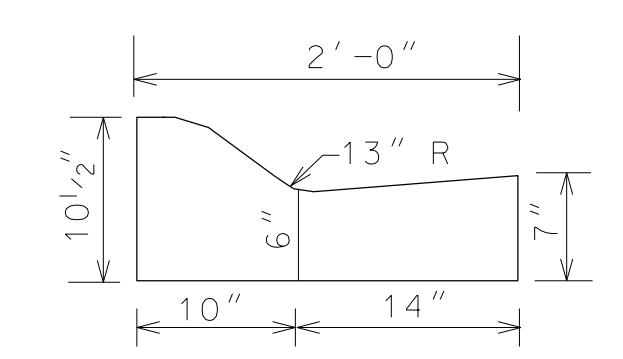
SKETCHES OF CURBS AND GUTTER  
TO BE PLACED WITH AUTOMATIC  
CURB AND GUTTER MACHINES



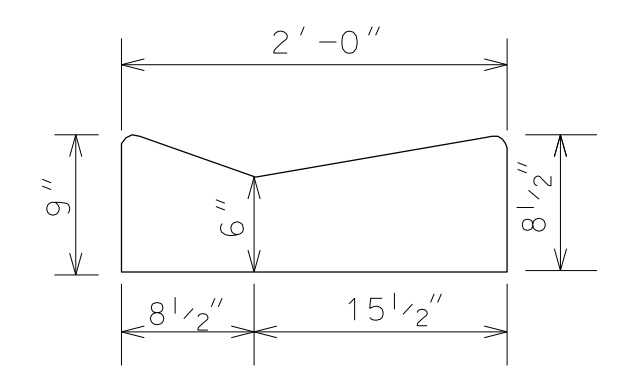
TYPE M-1



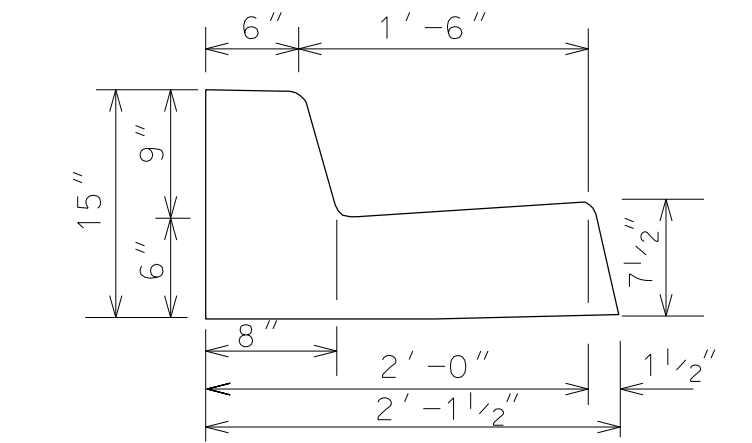
TYPE M-2



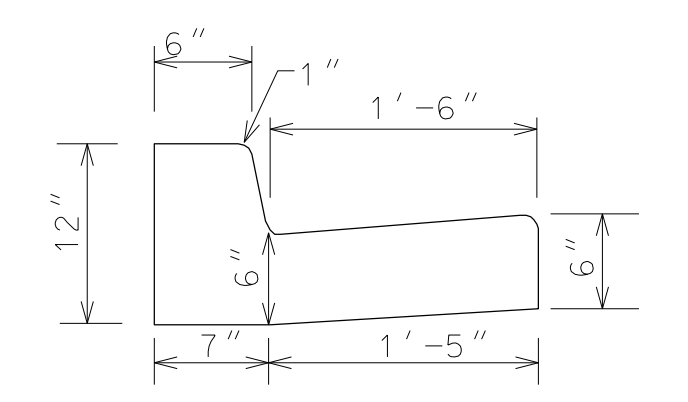
TYPE M-3



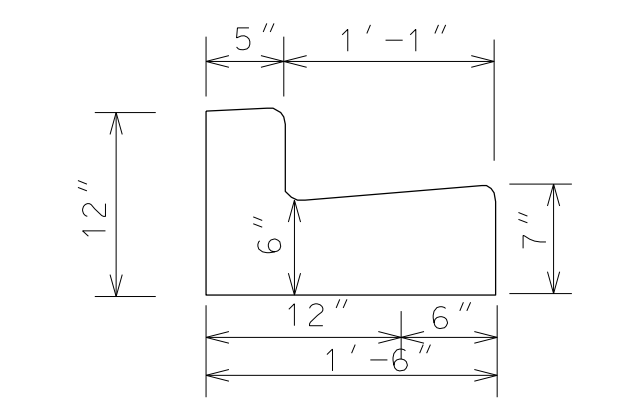
TYPE M-4



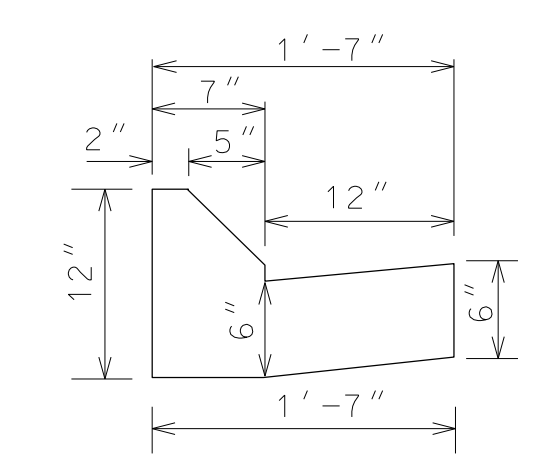
TYPE M-5



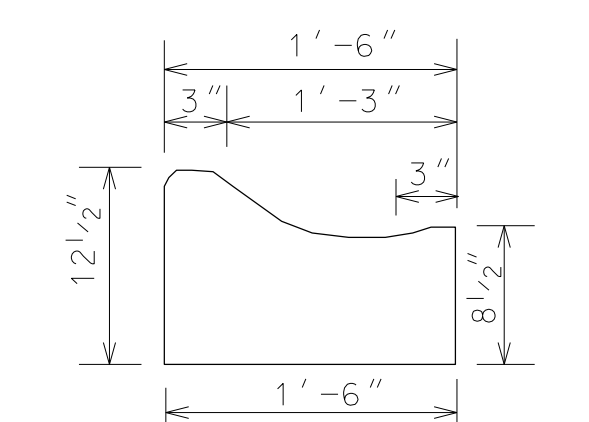
TYPE M-6



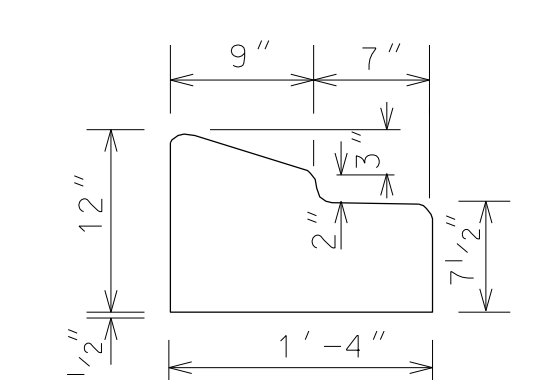
TYPE M-7



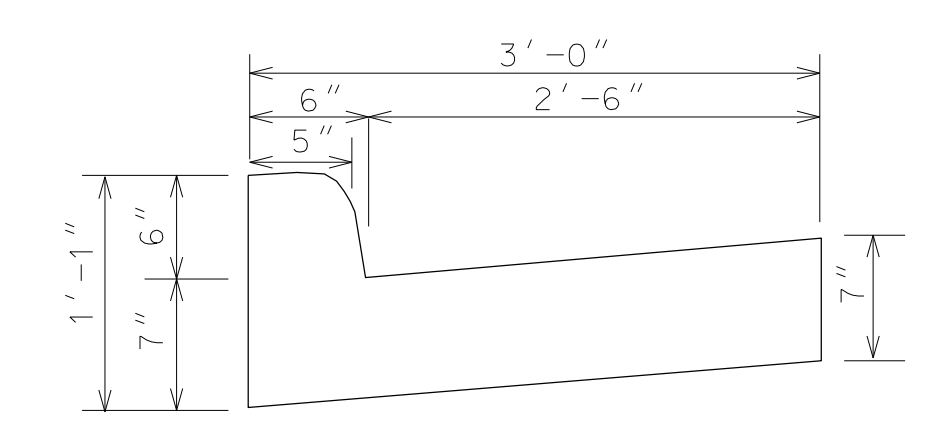
TYPE M-8



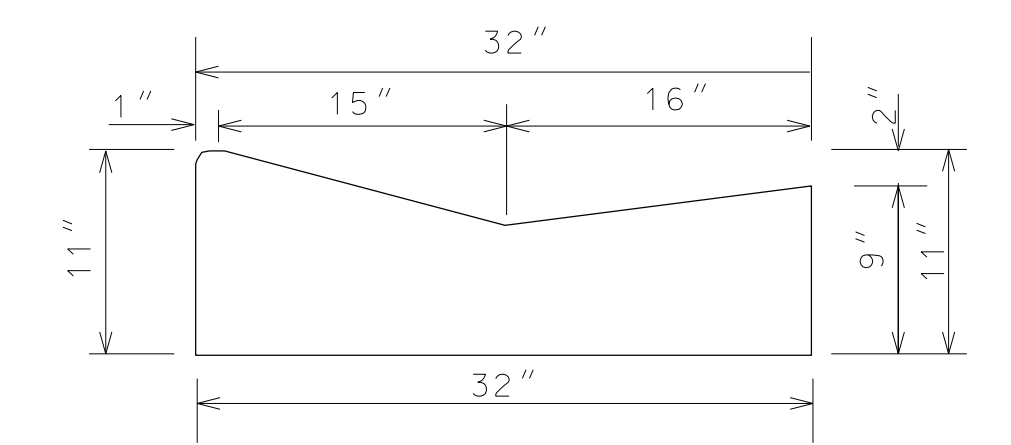
TYPE M-9



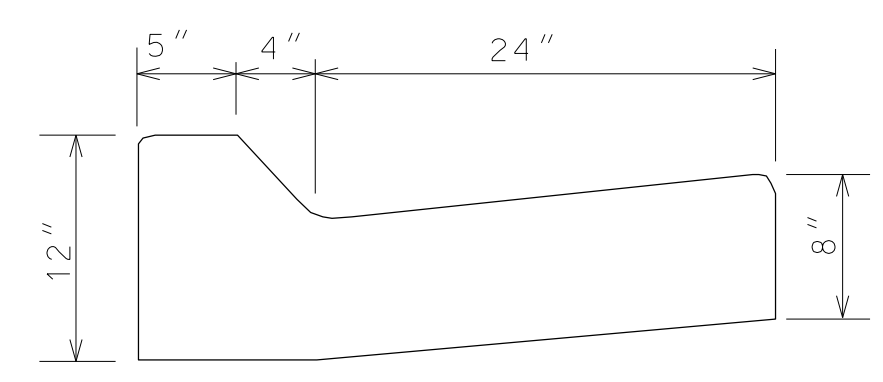
TYPE M-10



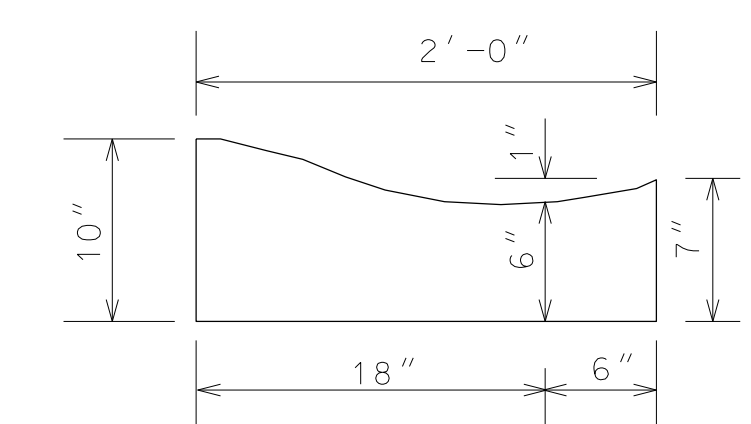
TYPE M-11



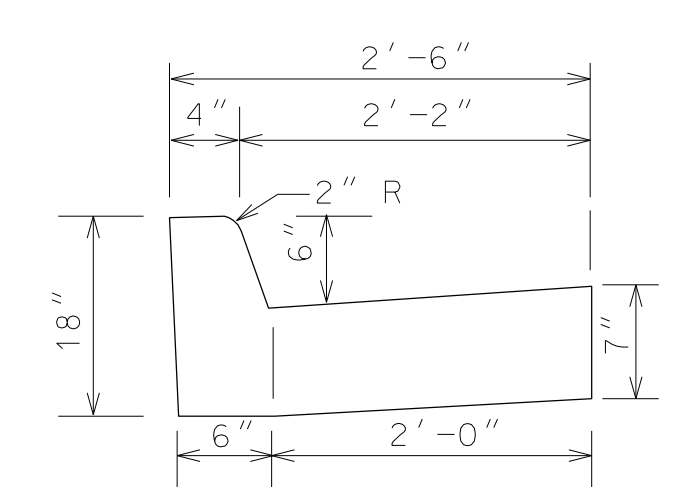
TYPE M-12



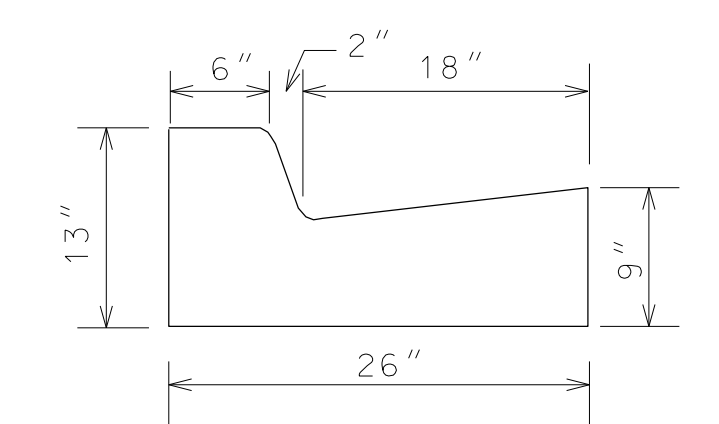
TYPE M-13



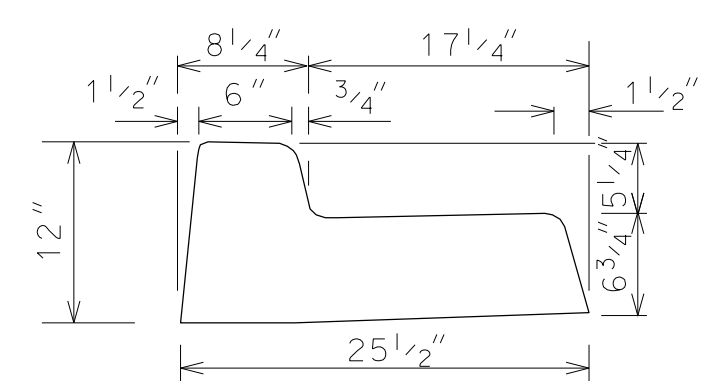
TYPE M-14



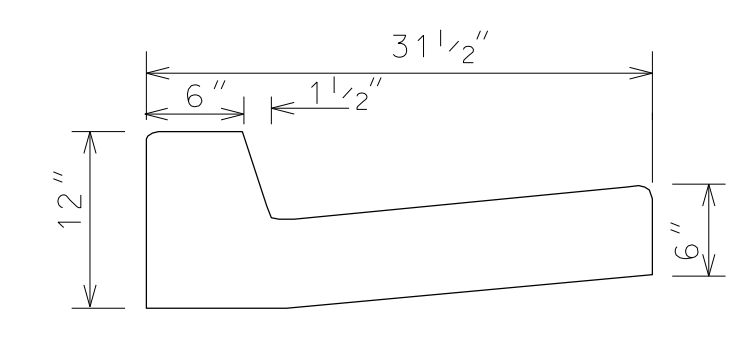
TYPE M-15



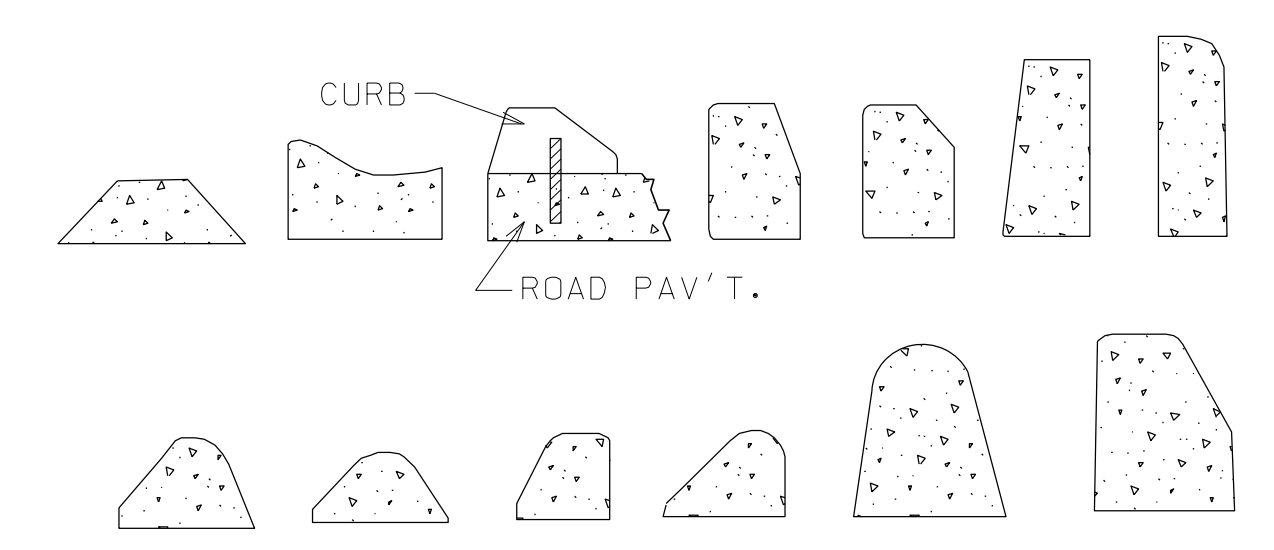
TYPE M-16



TYPE M-17



TYPE M-18



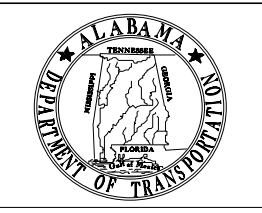
TYPICAL CURB DESIGNS  
TO BE PLACED WITH AUTOMATIC POWER CURBS

SKETCHES SHOWN ON THIS SHEET SHOW THE MORE COMMON CURB AND GUTTER DESIGNS IN USE AND INDICATE SIZE RANGE OF CURB AND GUTTER THAT MAY BE EXTRUDED WITH POWER CURBERS. SOME VARIATION IN SIZE AND SHAPE OF CURB AND GUTTER WILL BE ALLOWED IN ORDER TO ACCOMMODATE DIFFERENT MAKES OF POWER CURBERS.

--SPECIFICATIONS--  
CURRENT ALABAMA DEPARTMENT OF TRANSPORTATION

THIS DRAWING REPRESENTS DESIGNS PREPARED FOR USE BY THE ALABAMA DEPARTMENT OF TRANSPORTATION AND IS NOT TO BE COPIED, REPRODUCED, ALTERED, OR USED BY ANYONE, OR ANY ORGANIZATION, WITHOUT THE EXPRESSED WRITTEN CONSENT OF THE ALABAMA DEPARTMENT OF TRANSPORTATION REPRESENTATIVE AUTHORIZED TO APPROVE THIS USE. ANYONE MAKING UNAUTHORIZED USE OF THIS DRAWING MAY BE PROSECUTED TO THE FULLEST EXTENT OF THE LAW.

REVISIONS  
1. Added to CADD on 09-08-00  
2. Deleted "MIX SPECIFICATIONS FOR CONCRETE CURBS" on 07-17-13 by J.F.T.


**ALABAMA DEPARTMENT OF TRANSPORTATION**  
 1409 COLISEUM BOULEVARD  
 MONTGOMERY, AL 36130-3050

DESIGN BUREAU SPECIAL DRAWING  
DETAILS OF CURB & GUTTER MACHINE  
MOLDS (THIS SHEET FOR USE IN SELECTING  
MACHINE MADE CONCRETE CURB OR  
CONCRETE CURB & GUTTER COMBINATIONS)

Bureau Std Engr: D.J.W.  
DRAWN BY: \_\_\_\_\_ DATE DRAWN: 10-23-70

SPECIAL DRAWING NO  
PC (ACG-71)

INDEX NO  
62310

NOT TO SCALE