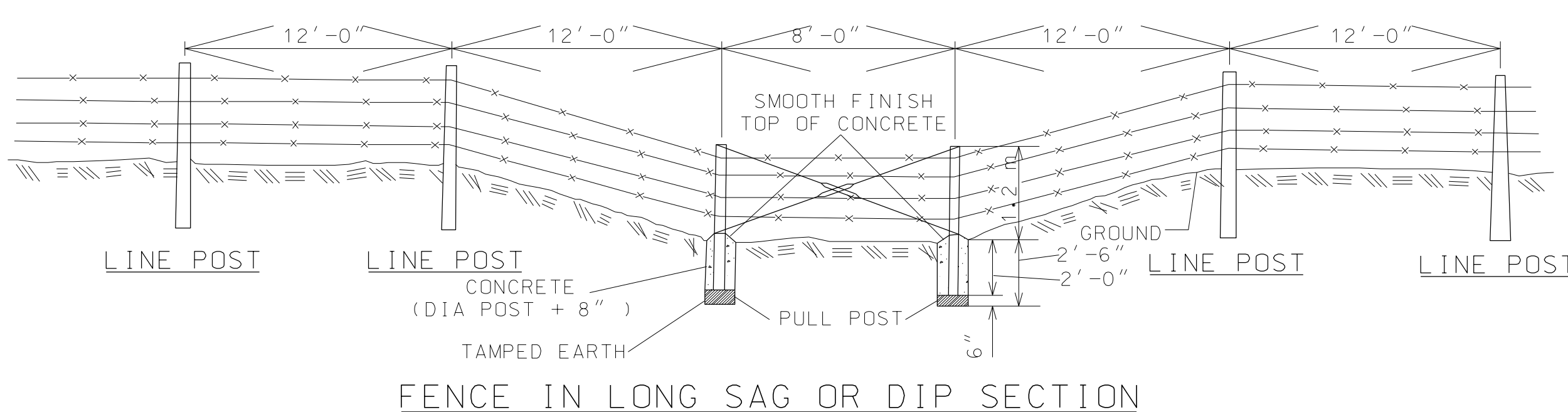
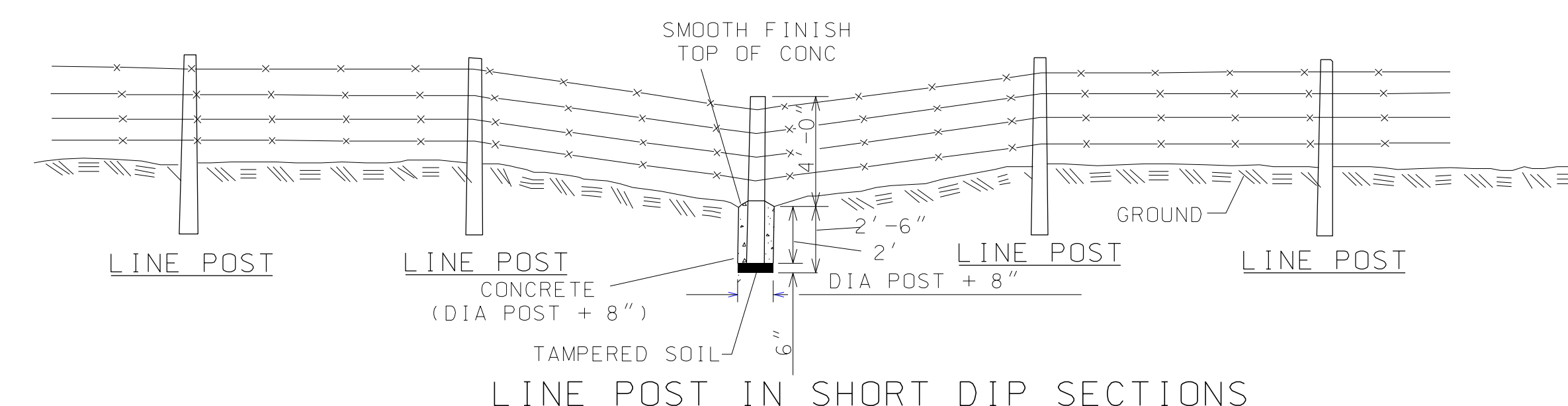
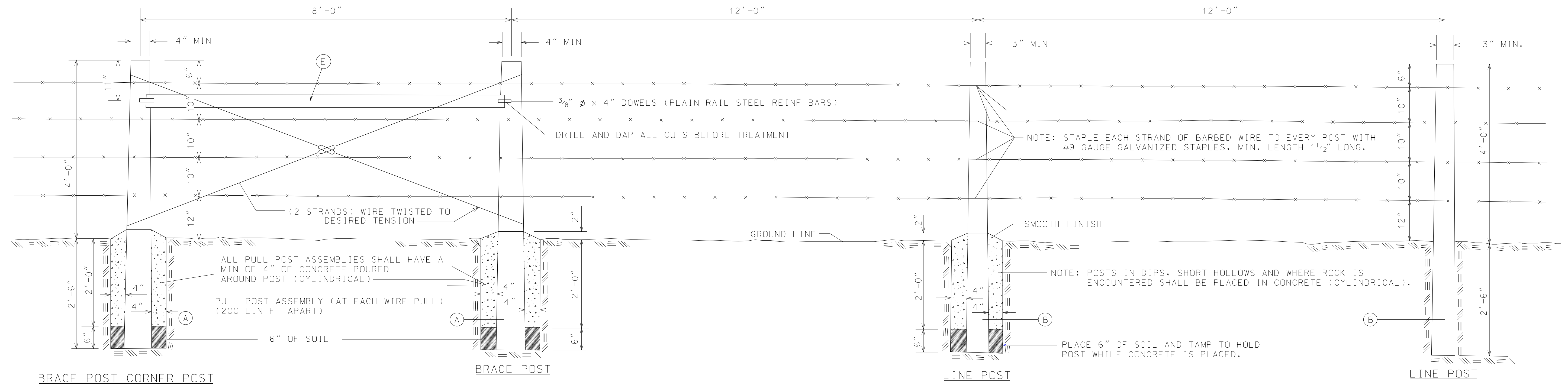


NOTE: BOTTOM AND TOP ENDS OF POSTS SHALL BE SAWED SQUARE ACROSS.



SCHEDULE FOR WOOD POSTS

- (A) 4" TOP DIAMETER 6'-6" LONG
- (B) 3" TOP DIAMETER 6'-6" LONG
- (E) 3" MIN DIA 8'-0" LONG (JOB CUT TO EXACT LENGTH REQD)

NOTES

SQUARE SAWED POST, PRESSURE TREATED SAME AS ROUND. TAPERING POST ARE ACCEPTABLE AS ALTERNATE AS FOLLOWS:
 4" x 4" MIN SAWED POST IN PLACE OR ROUND WITH 4" TOP.
 3 1/2" x 3 1/2" MIN SAWED POST IN PLACE OF ROUND WITH 3" TOP.
 UNTREATED RED CEDAR OR LOCUST POSTS MAY BE USED IN LIEU OF TREATED POST MENTIONED ABOVE. CEDAR OR LOCUST POSTS SHALL MEET SAME CONDITIONS DESCRIBED ABOVE.

--SPECIFICATIONS--
 CURRENT ALABAMA DEPARTMENT OF TRANSPORTATION

THIS DRAWING REPRESENTS DESIGNS PREPARED FOR USE BY THE ALABAMA DEPARTMENT OF TRANSPORTATION AND IS NOT TO BE COPIED, REPRODUCED, ALTERED, OR USED BY ANYONE, OR ANY ORGANIZATION, WITHOUT THE EXPRESSED WRITTEN CONSENT OF THE ALABAMA DEPARTMENT OF TRANSPORTATION REPRESENTATIVE AUTHORIZED TO APPROVE THIS USE. ANYONE MAKING UNAUTHORIZED USE OF THIS DRAWING MAY BE PROSECUTED TO THE FULLEST EXTENT OF THE LAW.

REVISIONS
 1. Added to CADD on 05-05-99 by Joe Thomas.

ALABAMA DEPARTMENT OF TRANSPORTATION
 1409 COLISEUM BOULEVARD
 MONTGOMERY, AL 36130-3050

DESIGN BUREAU SPECIAL DRAWING

DETAILS OF FOUR STRAND BARBED WIRE FENCE WITH WOOD POSTS

Bureau Std Engr: D.J.W.
 DRAWN BY: _____ DATE DRAWN: 12-04-74

SPECIAL DRAWING NO
F-636

INDEX NO
63601

NOT TO SCALE