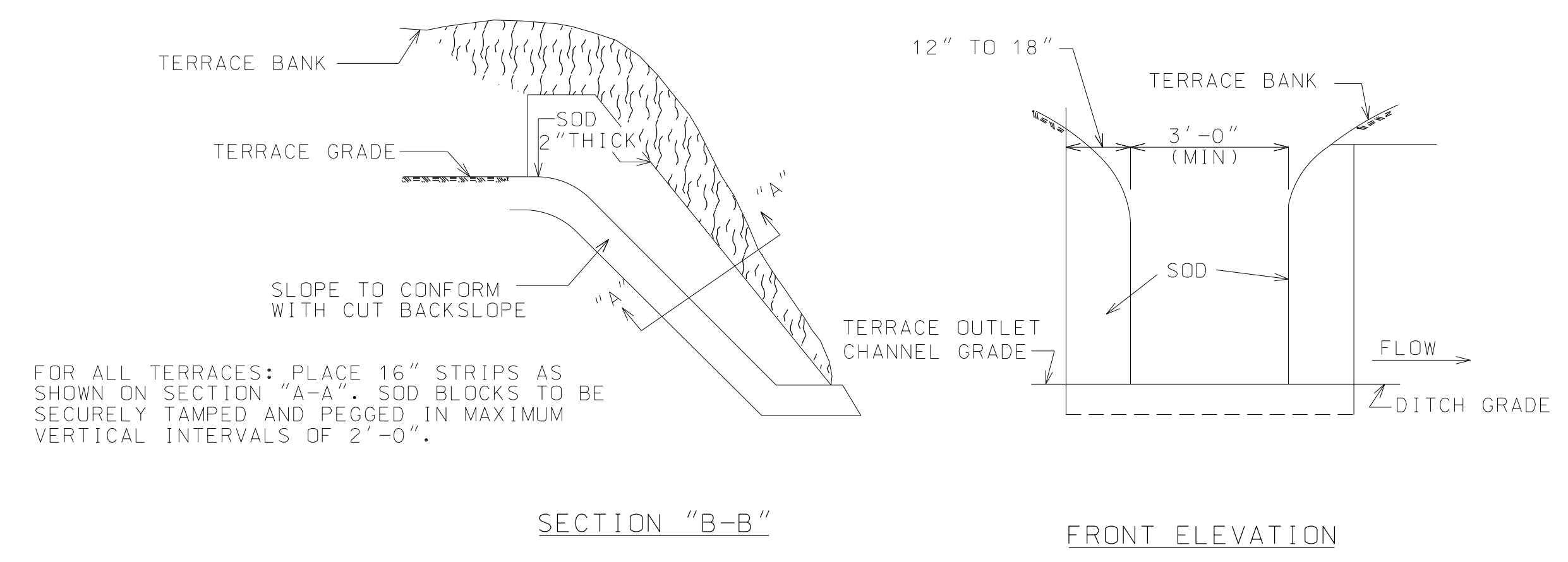
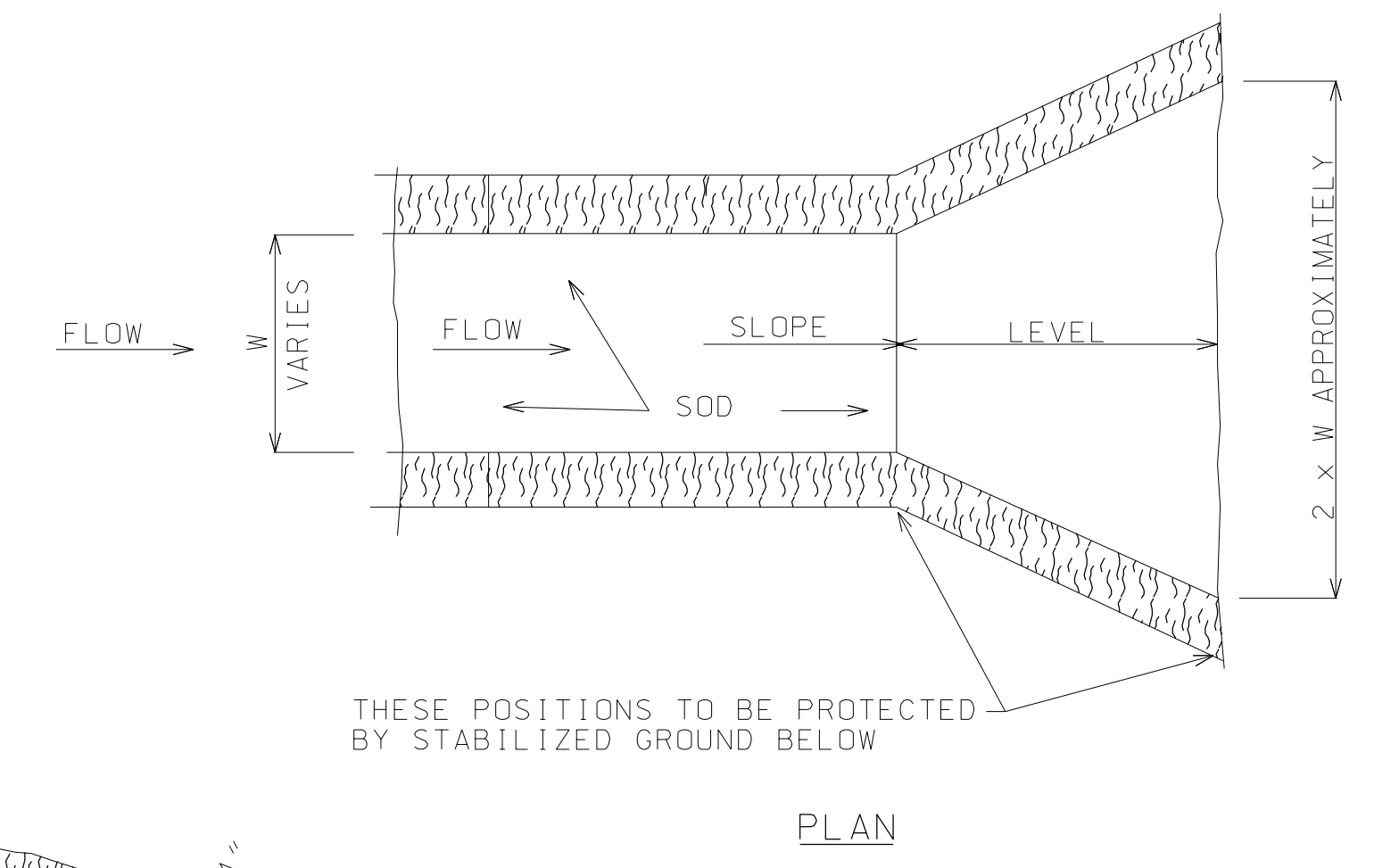
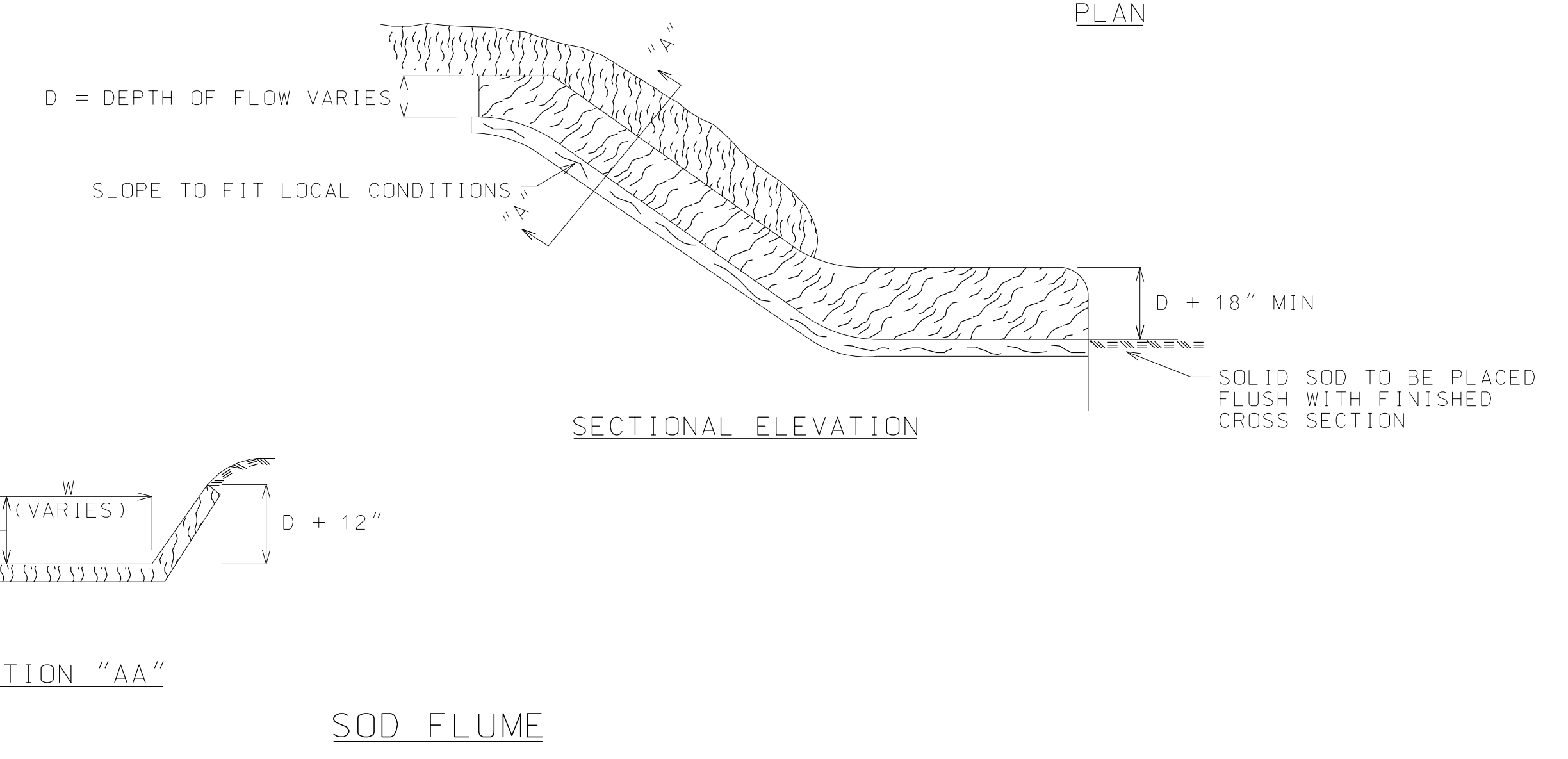
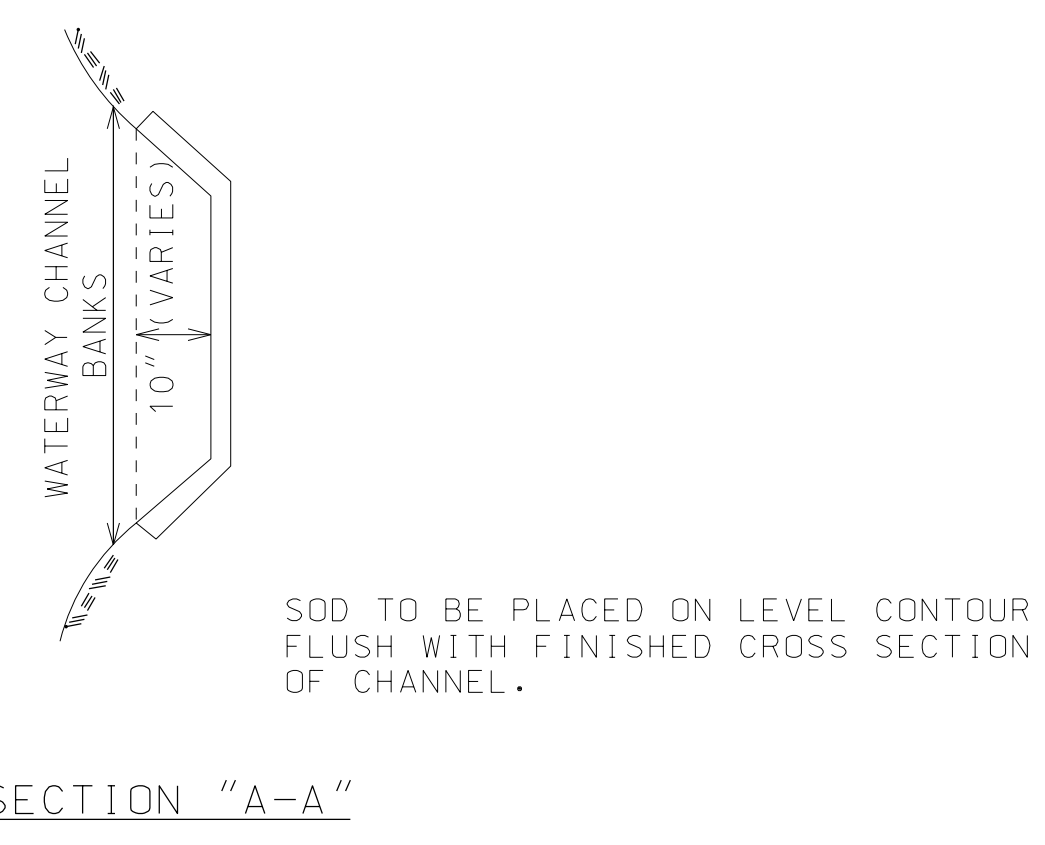
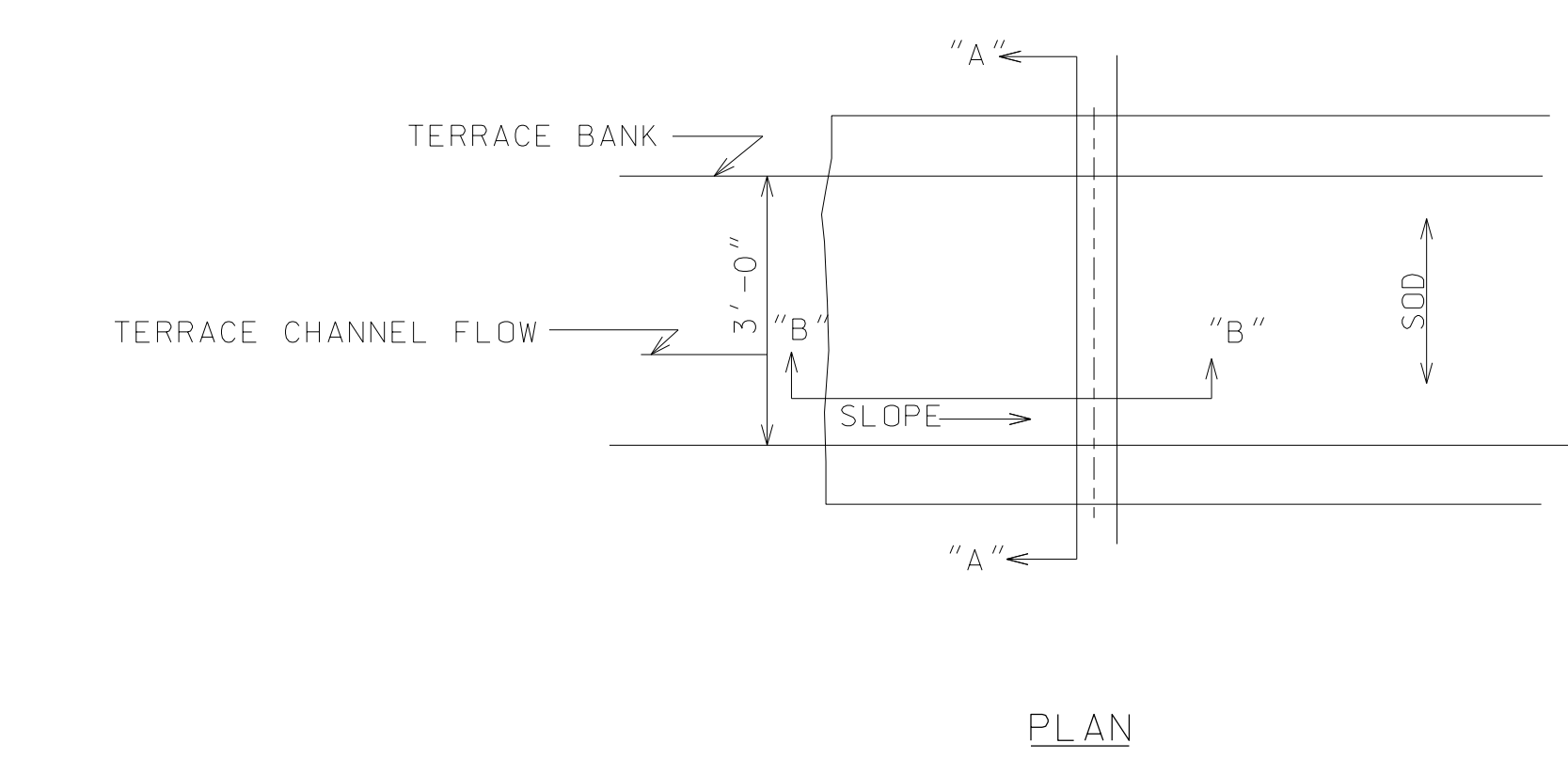


SURFACE DITCHES OVER CUT

LAY OUT SURFACE DITCHES OR DIKES ON GRADE CONTOURS FOLLOWING PRINCIPLE OF FARM TERRACES AS FAR AS PRACTICAL. USE A LEVEL IN STAKING OUT ALL SURFACE DITCHES. WHERE PERMISSION CAN BE SECURED FROM ADJACENT PROPERTY OWNERS, RUN SURFACE DITCHES BACK OFF RIGHT-OF-WAY ON GRADE CONTOUR INTO INTERCEPTING DRAINAGE. DITCH AND WASTE BANK TO BE COVERED WITH EROSION CONTROL NETTING AND GRASSED OR JUST GRASSED AS DIRECTED.



FOR ALL TERRACES: PLACE 16" STRIPS AS SHOWN ON SECTION "A-A". SOD BLOCKS TO BE SECURELY TAMPED AND PEGGED IN MAXIMUM VERTICAL INTERVALS OF 2'-0".



FERTILIZER SHALL BE APPLIED IN ACCORDANCE WITH SPECIFICATIONS OR SPECIAL PROVISIONS ACCOMPANYING PROPOSAL AND PLAN ASSEMBLY FOR EACH INDIVIDUAL PROJECT.

SOLID SOD TERRACE OUTLET

NOTE: ON SLOPES OF APPROXIMATELY 2:1 OR STEEPER, EROSION CONTROL NETTING MAY BE USED IF DIRECTED BY THE ENGINEER TO ANCHOR THE SOD. WHEN SO DIRECTED, NETTING USED AS DIRECTED SHALL BE PAID FOR AS SPECIFIED.

--SPECIFICATIONS--

CURRENT ALABAMA DEPARTMENT OF TRANSPORTATION

THIS DRAWING REPRESENTS DESIGNS PREPARED FOR USE BY THE ALABAMA DEPARTMENT OF TRANSPORTATION AND IS NOT TO BE COPIED, REPRODUCED, ALTERED, OR USED BY ANYONE, OR ANY ORGANIZATION, WITHOUT THE EXPRESSED WRITTEN CONSENT OF THE ALABAMA DEPARTMENT OF TRANSPORTATION REPRESENTATIVE AUTHORIZED TO APPROVE THIS USE. ANYONE MAKING UNAUTHORIZED USE OF THIS DRAWING MAY BE PROSECUTED TO THE FULLEST EXTENT OF THE LAW.

REVISIONS

1. Added to CADD on 10-16-00 by J.F.T.

ALABAMA DEPARTMENT OF TRANSPORTATION

1409 COLISEUM BOULEVARD
MONTGOMERY, AL 36130-3050

DESIGN BUREAU SPECIAL DRAWING

SOD TERRACE OUTLETS AND SOD FLUMES

Bureau Std Engr: D.J.W.
DRAWN BY: _____ DATE DRAWN: 8-10-81

SPECIAL DRAWING NO
SS-654

INDEX NO
65401

NOT TO SCALE