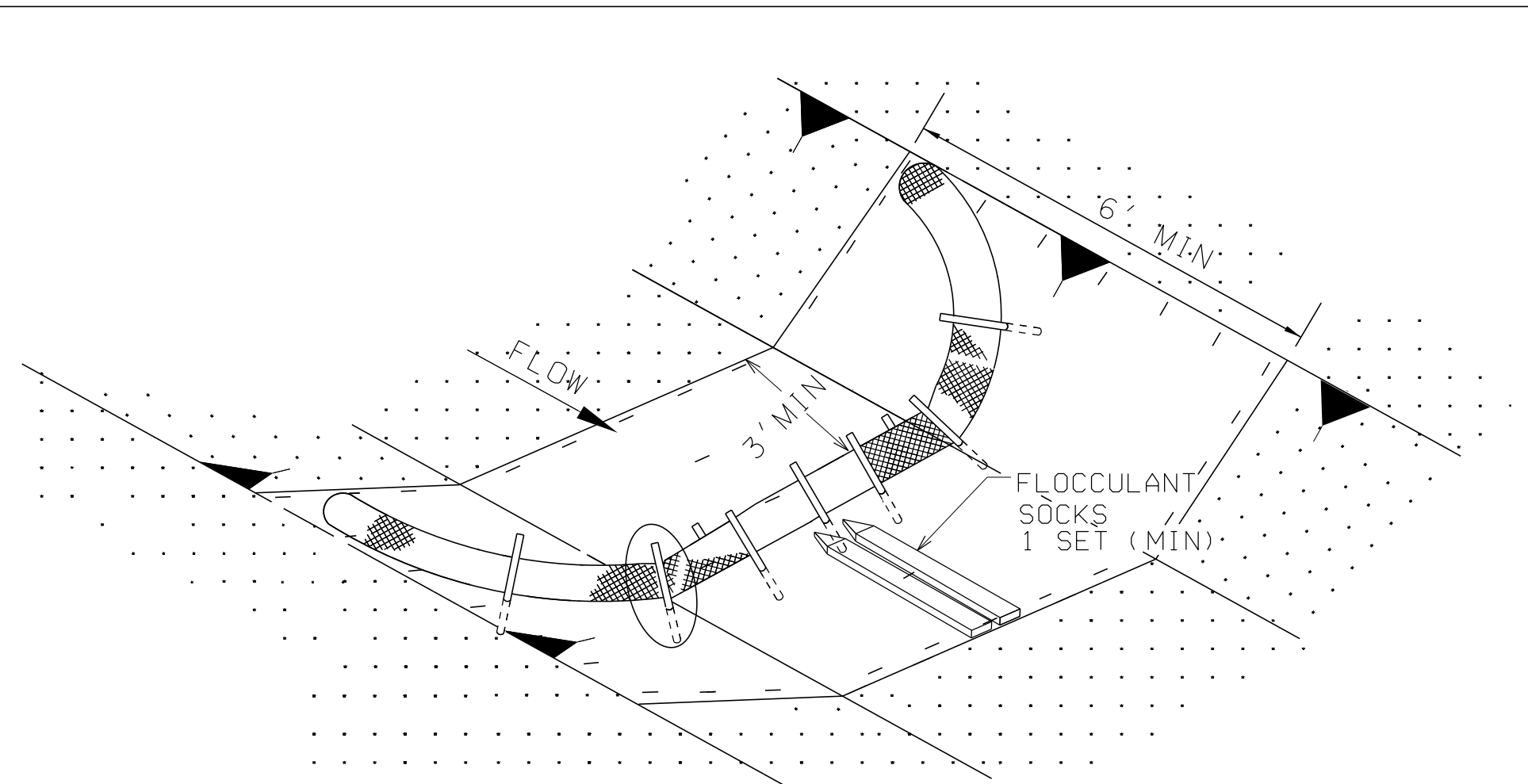
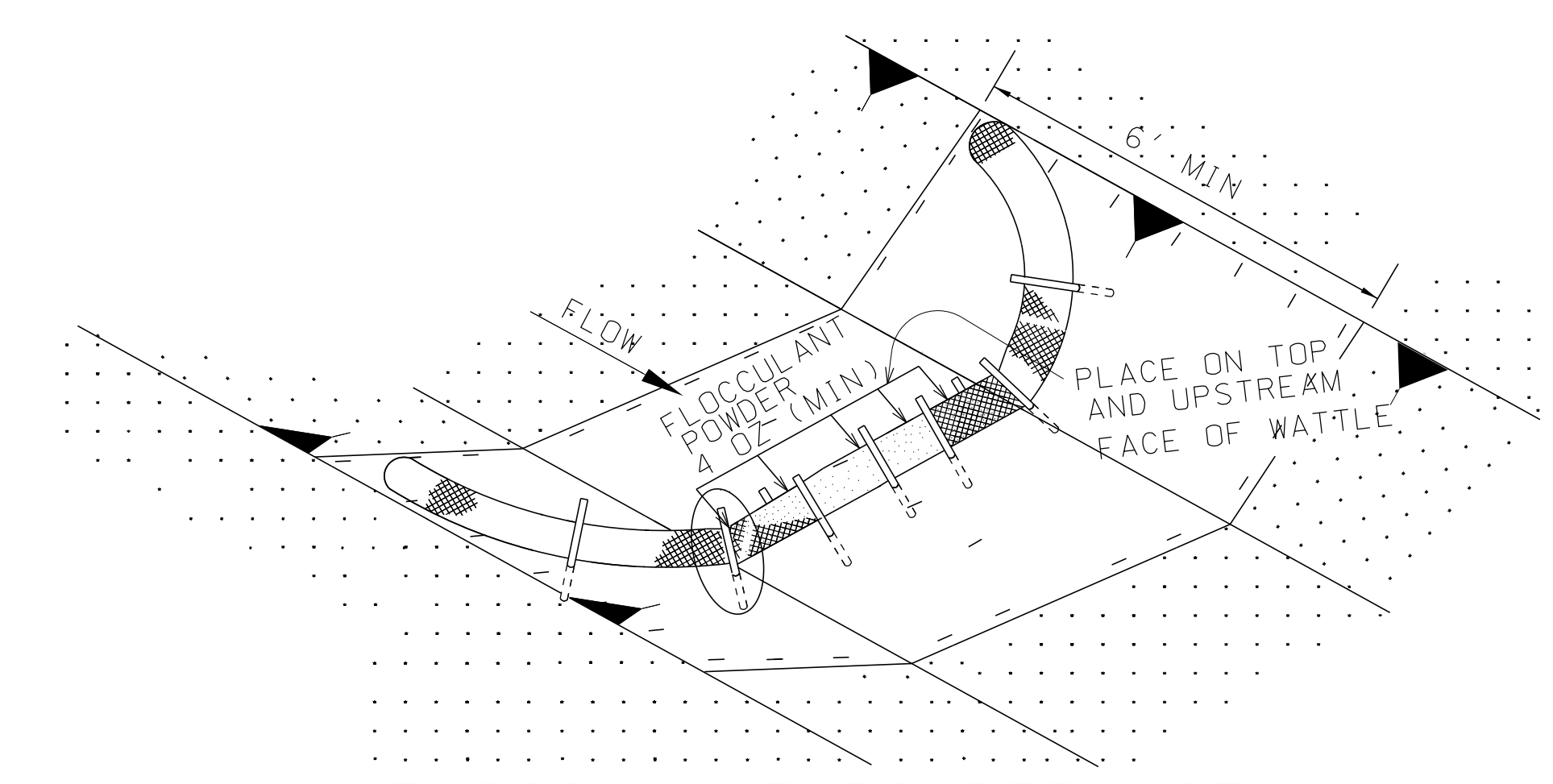


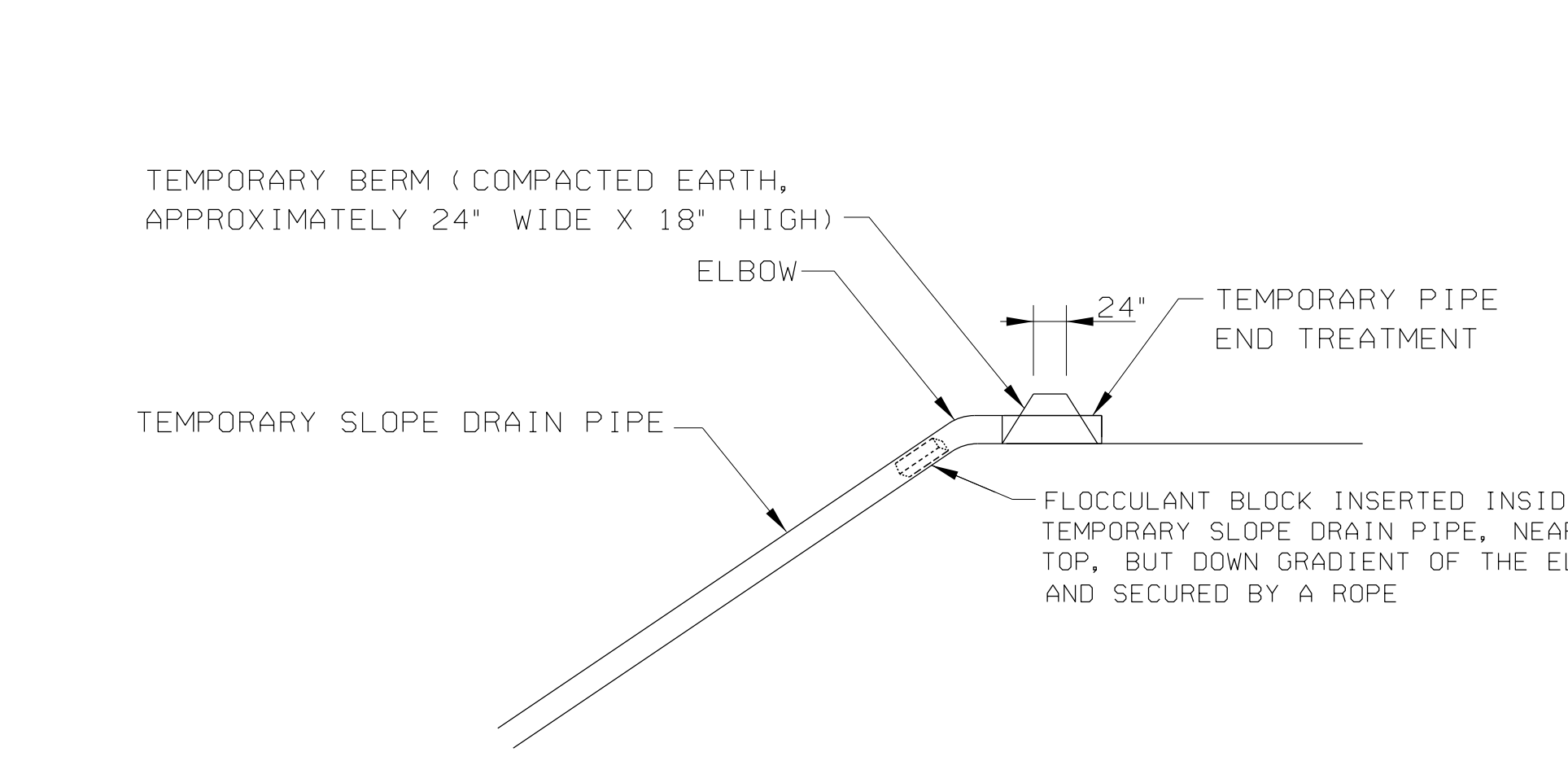
REFERENCE PROJECT NO	FISCAL YEAR	SHEET NO



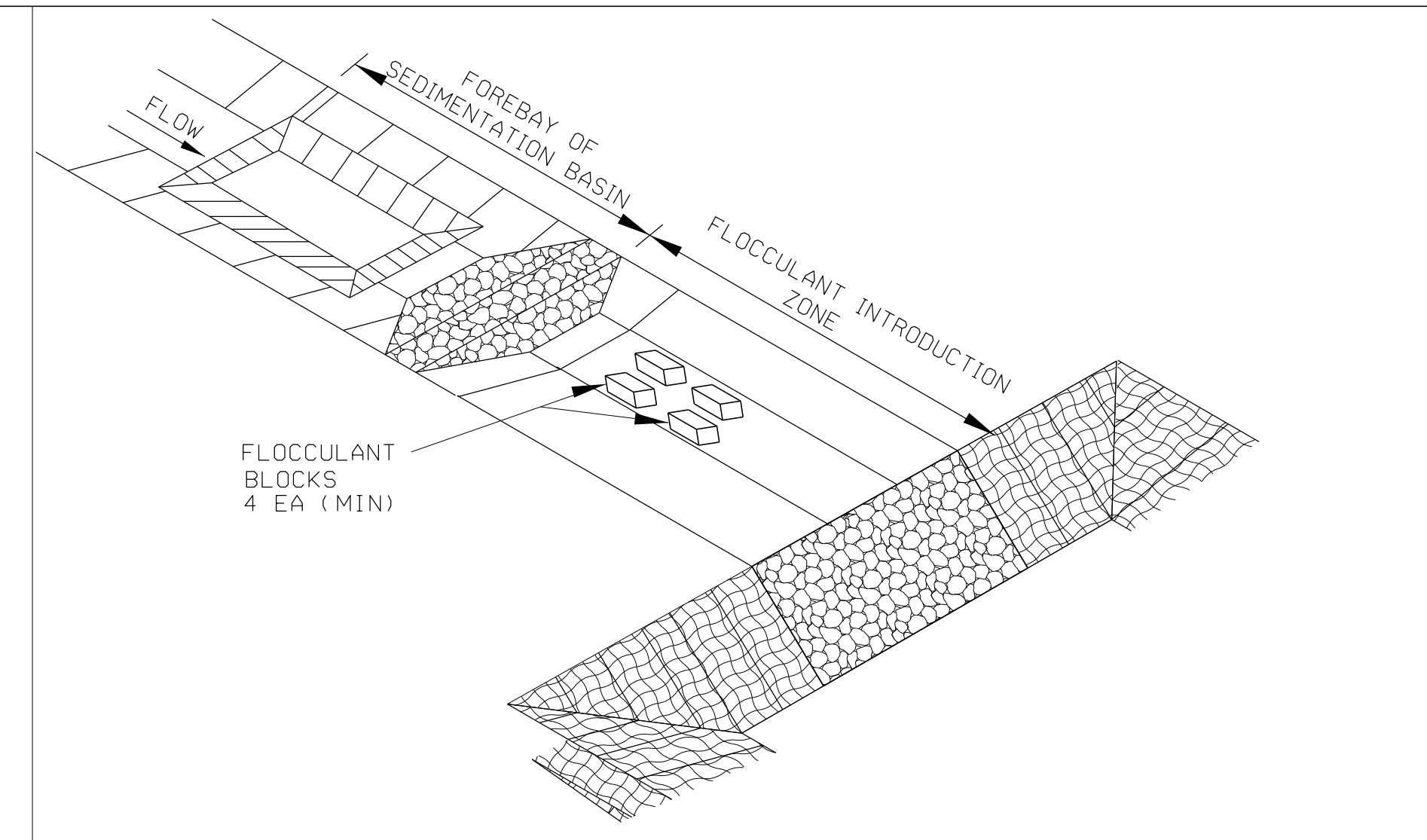
FLOCCULANT SOCK USE WITH WATTLE DITCH CHECK
(SEE SPECIAL DRAWING ESC-300-4)



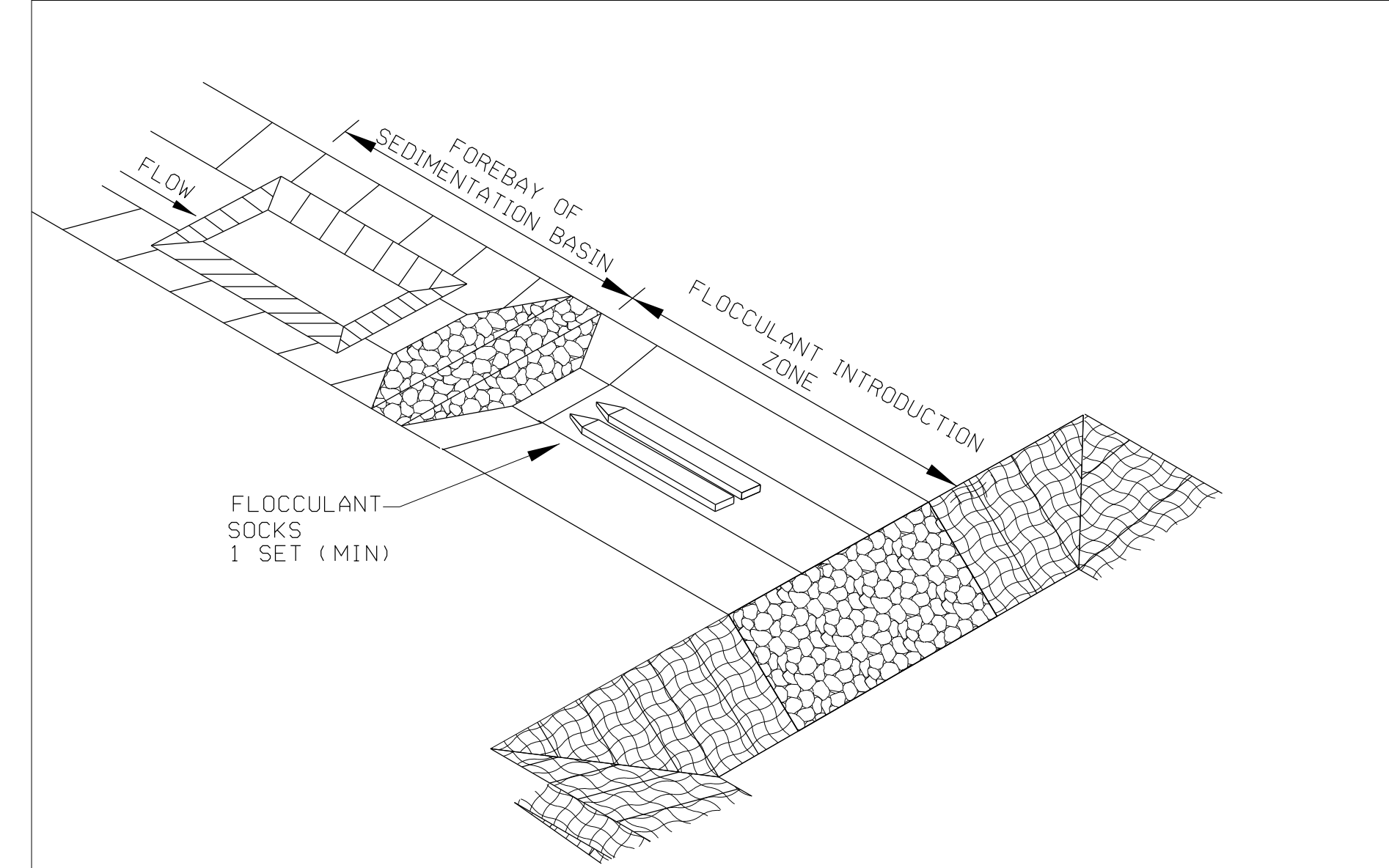
FLOCCULANT POWDER USE WITH WATTLE DITCH CHECK
(SEE SPECIAL DRAWING ESC-300-4)



FLOCCULANT BLOCK USE WITH TEMPORARY SLOPE DRAIN
(SEE SPECIAL DRAWING ESC-200-2)



FLOCCULANT BLOCK USE WITH SEDIMENTATION BASIN
(SEE SPECIAL DRAWING ESC-507)



FLOCCULANT SOCK USE WITH SEDIMENTATION BASIN
(SEE SPECIAL DRAWING ESC-507)

NOTES:

1. AN ALDOT LIST OF APPROVED FLOCCULANTS CAN BE FOUND IN THE MSDSAR MANUAL LIST II-24 "TEMPORARY EROSION AND SEDIMENT CONTROL PRODUCTS."
2. SOME FLOCCULANTS ARE SOIL SPECIFIC AND MUST BE SELECTED BASED ON SOIL AND RUNOFF TESTING.
3. HEAVY SEDIMENT AND SAND SHOULD BE REMOVED PRIOR TO THE LOCATION OF FLOCCULANT APPLICATION.
4. PASSIVE DOSING OF FLOCCULANTS REQUIRES FLOWING WATER WITH A MODERATE VELOCITY.
5. FLOCCULANTS REQUIRE AN INITIAL PERIOD OF MIXING/AGITATION FOLLOWED BY A PERIOD OF LOW VELOCITY TO ALLOW THE SETTLING OF PARTICLES.
6. SEDIMENT CONTROL MEASURES MUST BE UTILIZED TO CAPTURE THE FLOCCULATED MATERIAL AND PREVENT RE-SUSPENSION PRIOR TO DISCHARGE.
7. FLOCCULANT SHOULD NEVER BE APPLIED DIRECTLY TO LIVE STREAMS OR WATERS OF THE STATE.
8. FLOCCULANT BLOCKS CAN DRY OUT PREVENTING DISSOLUTION. BLOCKS MUST BE PROTECTED FROM THE SUN AND SHOULD REMAIN HYDRATED IF POSSIBLE.
9. FLOCCULANT SOCKS WILL FLATTEN WHEN EMPTY INDICATING THE NEED FOR REPLACEMENT.
10. POWDER FORMS OF FLOCCULANT TYPICALLY MUST BE REAPPLIED AFTER EACH RAIN EVENT.

--SPECIFICATIONS--

CURRENT ALABAMA DEPARTMENT OF TRANSPORTATION

THIS DRAWING REPRESENTS DESIGNS PREPARED FOR USE BY THE ALABAMA DEPARTMENT OF TRANSPORTATION AND IS NOT TO BE COPIED, REPRODUCED, ALTERED, OR USED BY ANYONE, OR ANY ORGANIZATION, WITHOUT THE EXPRESSED WRITTEN CONSENT OF THE ALABAMA DEPARTMENT OF TRANSPORTATION REPRESENTATIVE AUTHORIZED TO APPROVE THIS USE. ANYONE MAKING UNAUTHORIZED USE OF THIS DRAWING MAY BE PROSECUTED TO THE FULLEST EXTENT OF THE LAW.

- REVISIONS
1. Revised Sheet Numbers of 'FLOCCULANT SOCK USE WITH WATTLE DITCH CHECK' and 'FLOCCULANT POWDER USE WITH WATTLE DITCH CHECK' on 10-20-14 by J.F.T.
 2. Corrected Sheet References from 'ESC-300, Sheet 4018' & 'Sheet 2018' to 'ESC-300-4' & 'ESC-300-2' on 12/06/16 by LVS

ALABAMA DEPARTMENT OF TRANSPORTATION
1409 COLISEUM BOULEVARD
MONTGOMERY, AL 36130-3050

DESIGN BUREAU SPECIAL DRAWING

FLOCCULANT USAGE GUIDE

Bureau Std Engr: D.J.W.
DRAWN BY: _____ DATE DRAWN: 09-24-12

SPECIAL DRAWING NO
ESC-508

INDEX NO
67201

NOT TO SCALE