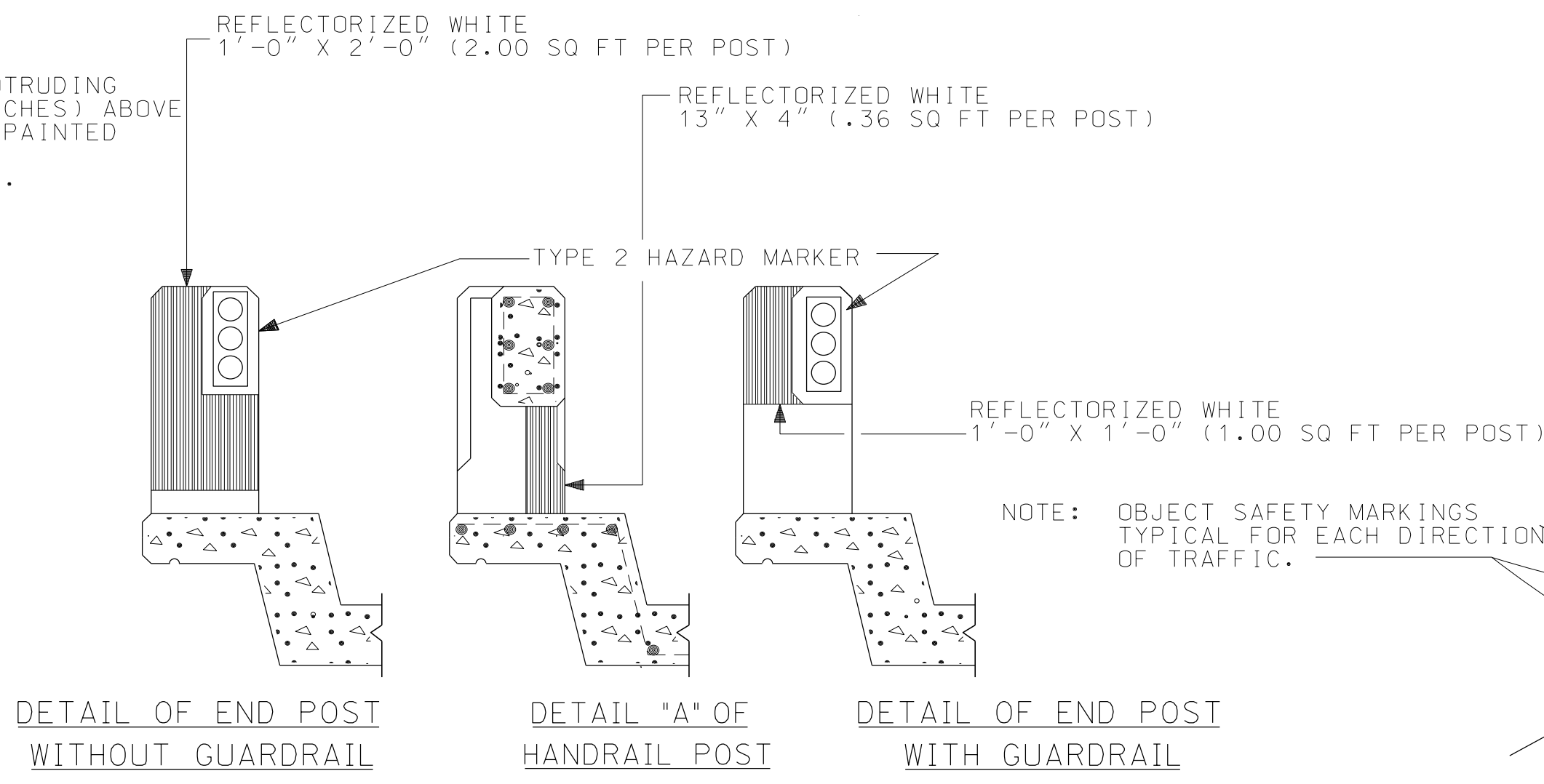
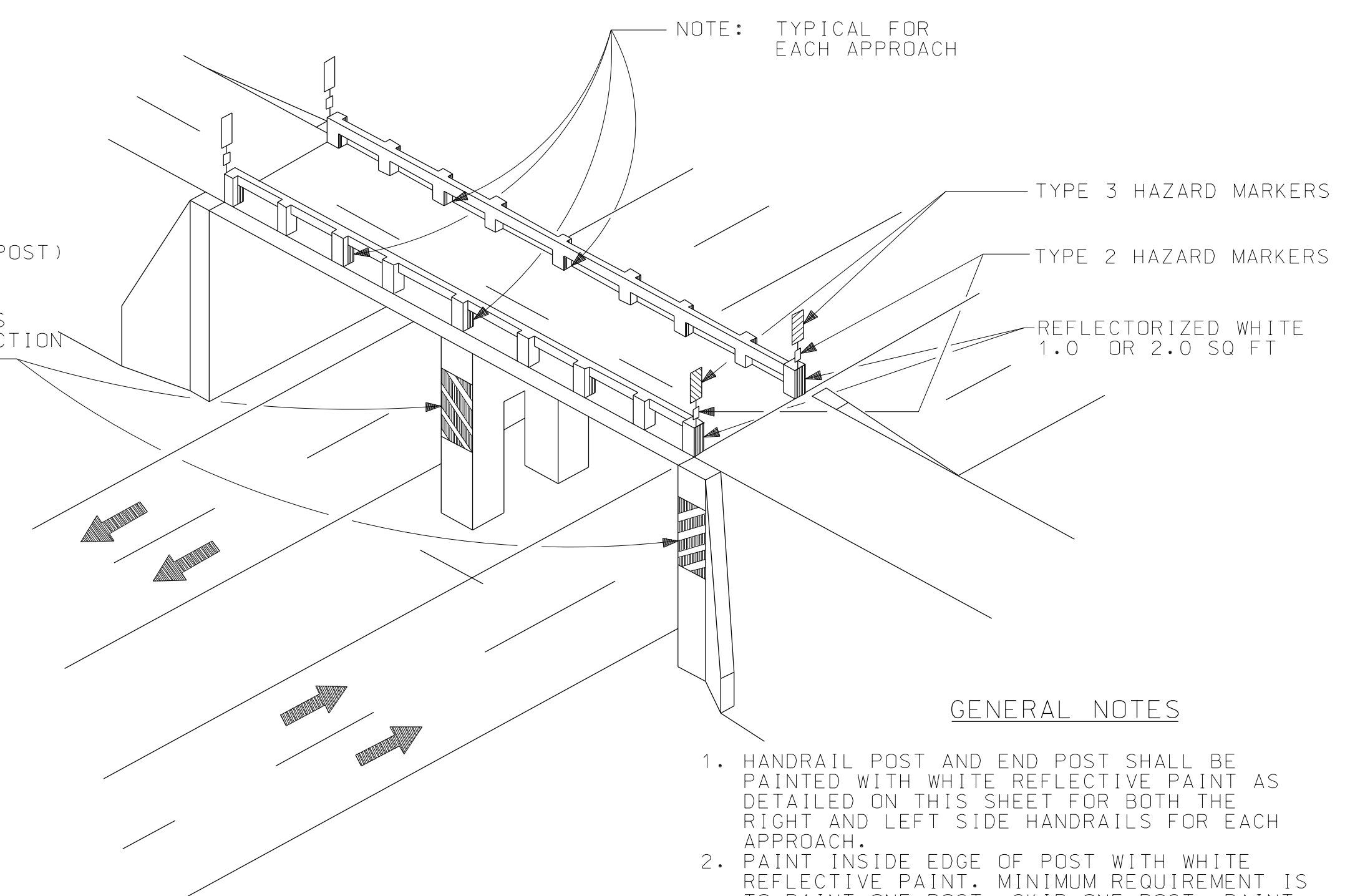


TYPICAL TREATMENT FOR CULVERTS
TYPE "C" INSTALLATION



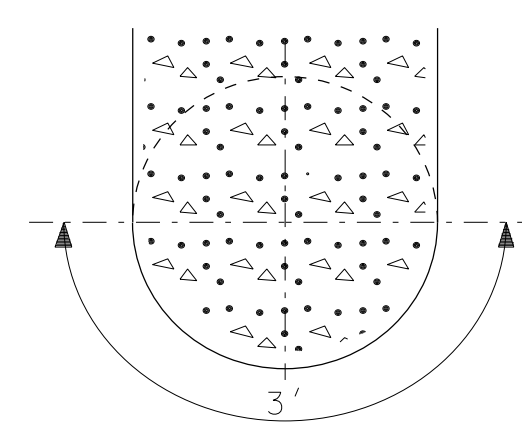
TYPE "E" INSTALLATION



TYPICAL TREATMENT FOR BRIDGES
TYPE "B" INSTALLATION

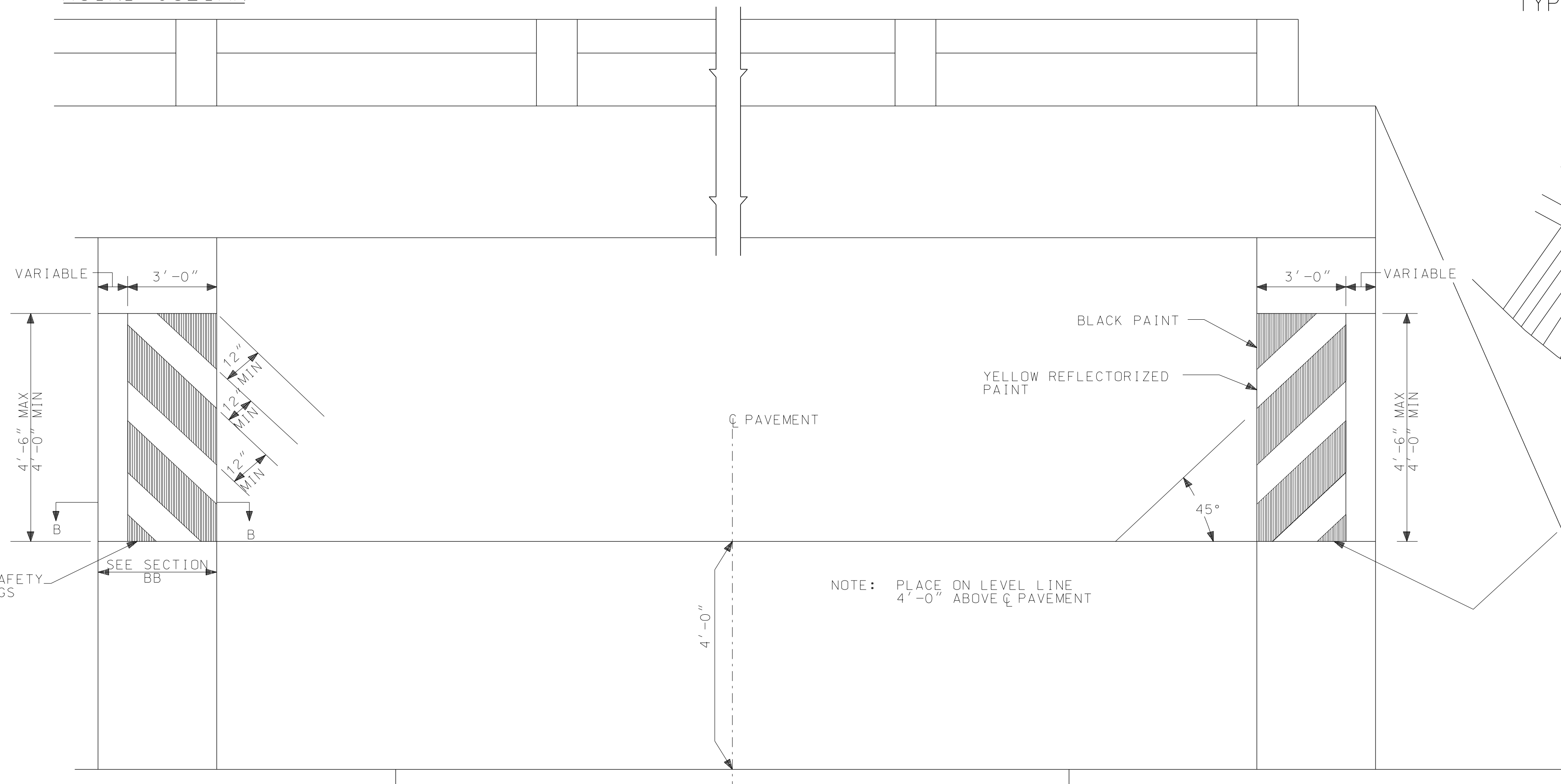
GENERAL NOTES

- HANDRAIL POST AND END POST SHALL BE PAINTED WITH WHITE REFLECTIVE PAINT AS DETAILED ON THIS SHEET FOR BOTH THE RIGHT AND LEFT SIDE HANDRAILS FOR EACH APPROACH.
- PAINT INSIDE EDGE OF POST WITH WHITE REFLECTIVE PAINT. MINIMUM REQUIREMENT IS TO PAINT ONE POST, SKIP ONE POST, PAINT ONE POST, SKIP ONE POST, ETC. AND SHALL HAVE TWO COATS UNIFORMLY APPLIED.
- SIZE AND COLOR OF OBJECT SAFETY MARKINGS ON BRIDGE PIERS SHALL CONFORM TO THE MANUAL ON UNIFORM TRAFFIC CONTROL DEVICES.
- OBJECT SAFETY MARKINGS SHALL NOT BE PLACED ON BRIDGE PIERS THAT ARE GREATER THAN 17' FROM EDGE OF TRAVEL WAY AND ADEQUATELY PROTECTED WITHIN THE CLEAR ZONE. OBJECT SAFETY MARKINGS SHALL BE REQUIRED ON ALL BRIDGE PIERS THAT ARE 17' OR LESS FROM THE TRAVEL WAY REGARDLESS OF BARRIER OR GUARDRAIL PROTECTION.
- OBJECT SAFETY MARKERS SHALL BE ALIGNED WITH THE EDGE OF THE PIER CLOSEST TO TRAFFIC. THIS INCLUDES ROUND COLUMNS.

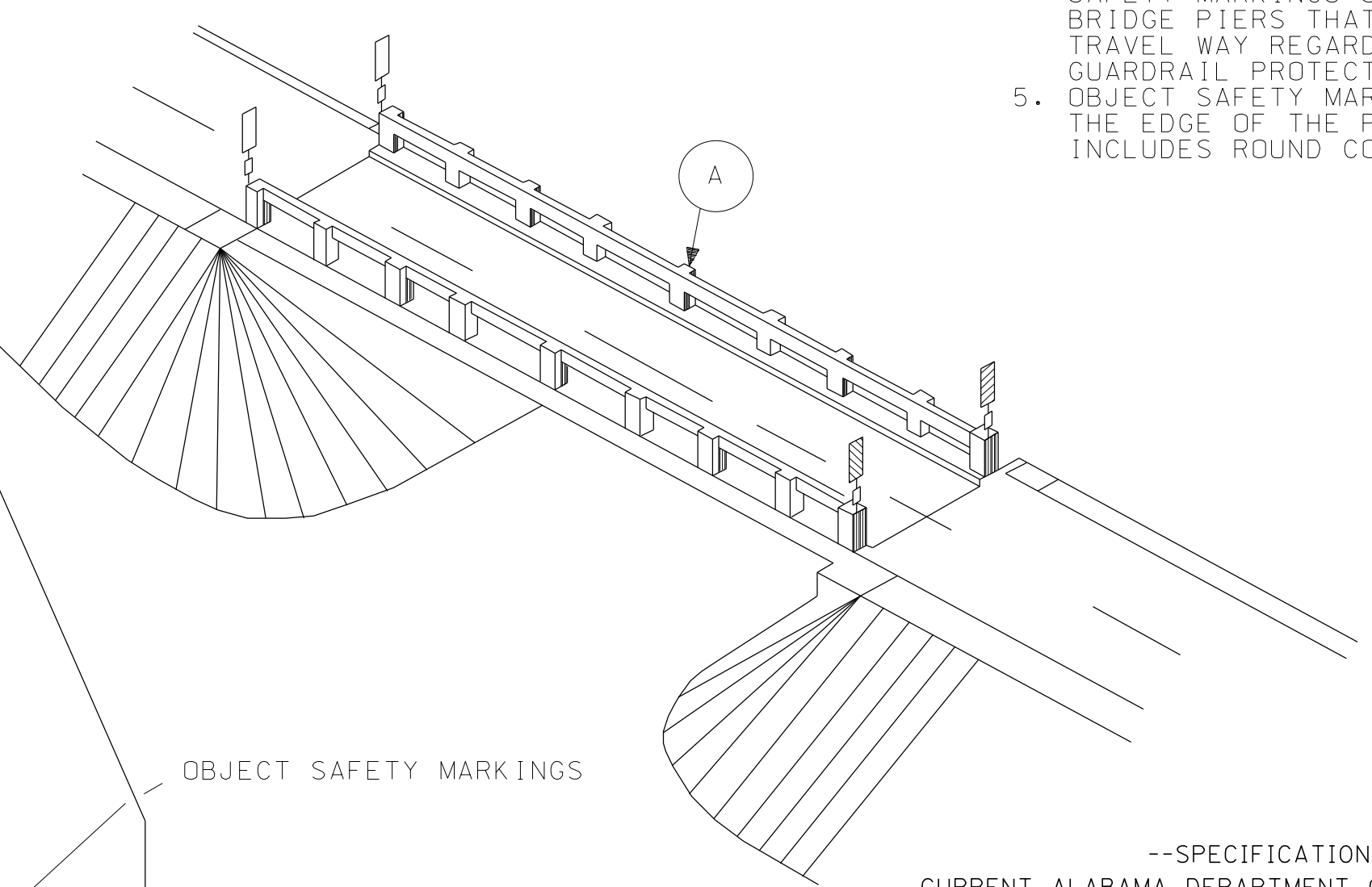


SECTION B-B
ROUND COLUMN

NOTE: THE EXACT LOCATION FOR OBJECT SAFETY MARKING ON ROUND OR OVAL PIERS SHALL BE DETERMINED ON THE SITE BY THE ENGINEER.
SEE NOTE 5.



TYPICAL BRIDGE OBJECT SAFETY MARKINGS DETAILS



OBJECT SAFETY MARKINGS

--SPECIFICATIONS--
CURRENT ALABAMA DEPARTMENT OF TRANSPORTATION

THIS DRAWING REPRESENTS DESIGNS PREPARED FOR USE BY THE ALABAMA DEPARTMENT OF TRANSPORTATION AND IS NOT TO BE COPIED, REPRODUCED, ALTERED, OR USED BY ANYONE, OR ANY ORGANIZATION, WITHOUT THE EXPRESSED WRITTEN CONSENT OF THE ALABAMA DEPARTMENT OF TRANSPORTATION REPRESENTATIVE AUTHORIZED TO APPROVE THIS USE. ANYONE MAKING UNAUTHORIZED USE OF THIS DRAWING MAY BE PROSECUTED TO THE FULLEST EXTENT OF THE LAW.

REVISIONS

- Added to CADD on 10-12-00 by J.F.T.
- Revised General Note #3 and added Note 4 on 05-16-18 by J.F.T.
- Added General Note #5 and Revised "TYPICAL BRIDGE OBJECT SAFETY MARKINGS DETAILS" on 09-24-18 by J.F.T.

ALABAMA DEPARTMENT OF TRANSPORTATION
1409 COLISEUM BOULEVARD
MONTGOMERY, AL 36130-3050

DESIGN BUREAU SPECIAL DRAWING

BRIDGE PIERS AND BRIDGE ENDS REFLECTORIZATION

Bureau Std Engr: D.J.W.
DRAWN BY: _____ DATE DRAWN: 08-26-91

SPECIAL DRAWING NO
OSM-708

INDEX NO
70801

NOT TO SCALE