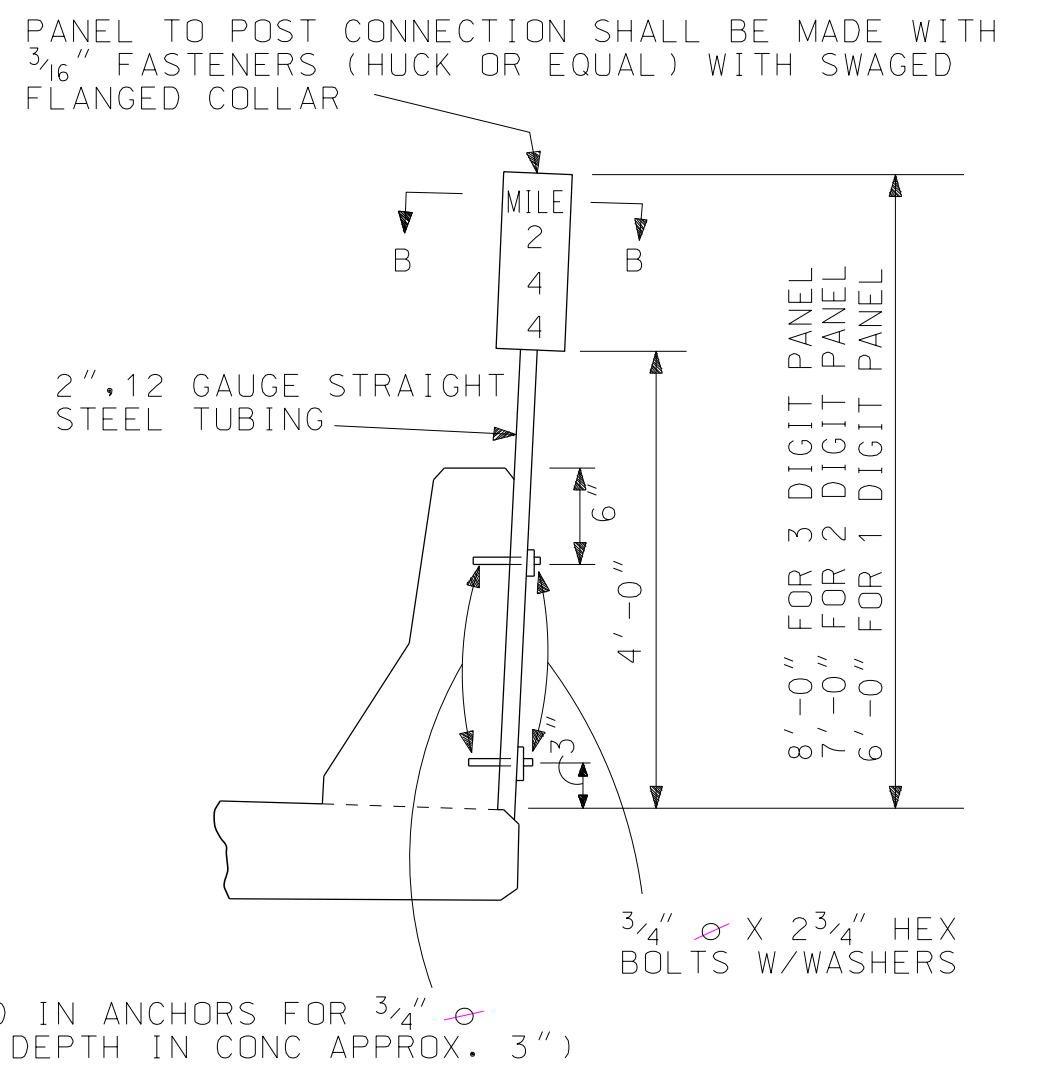
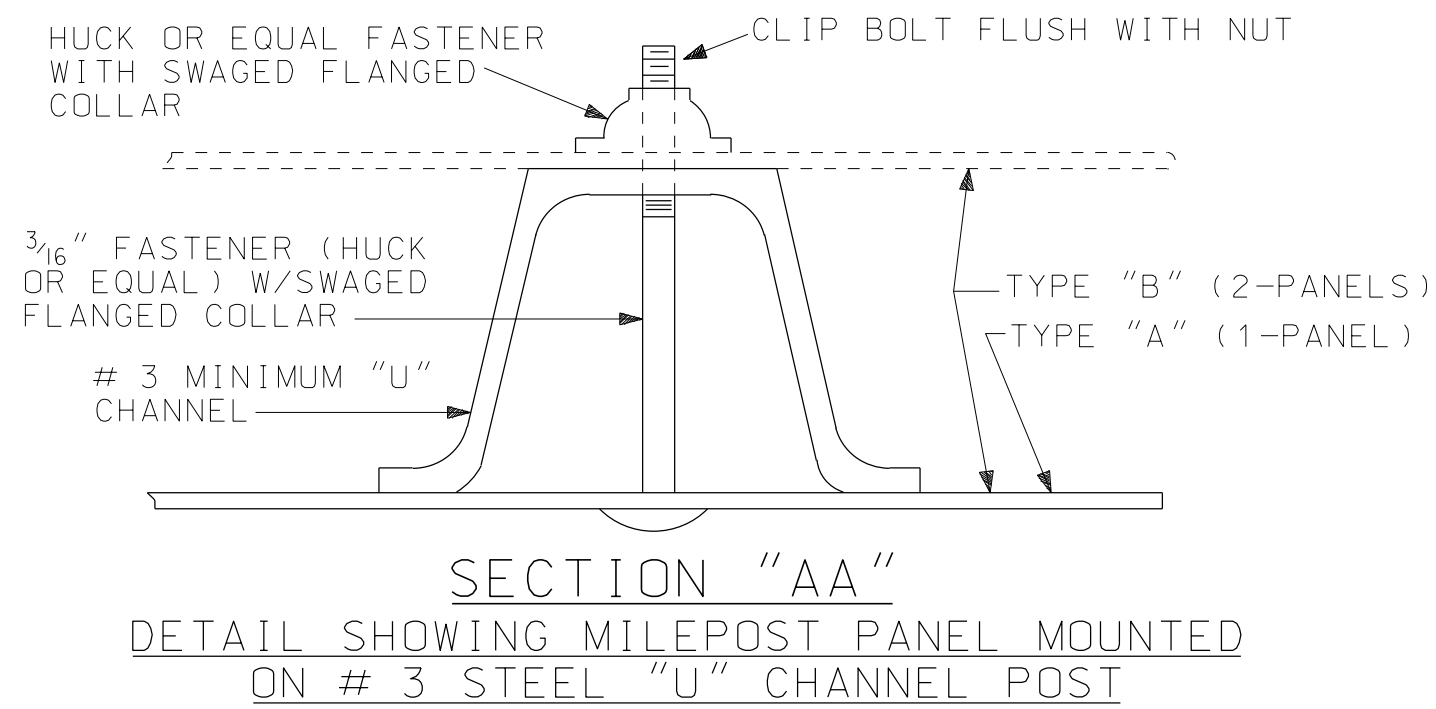
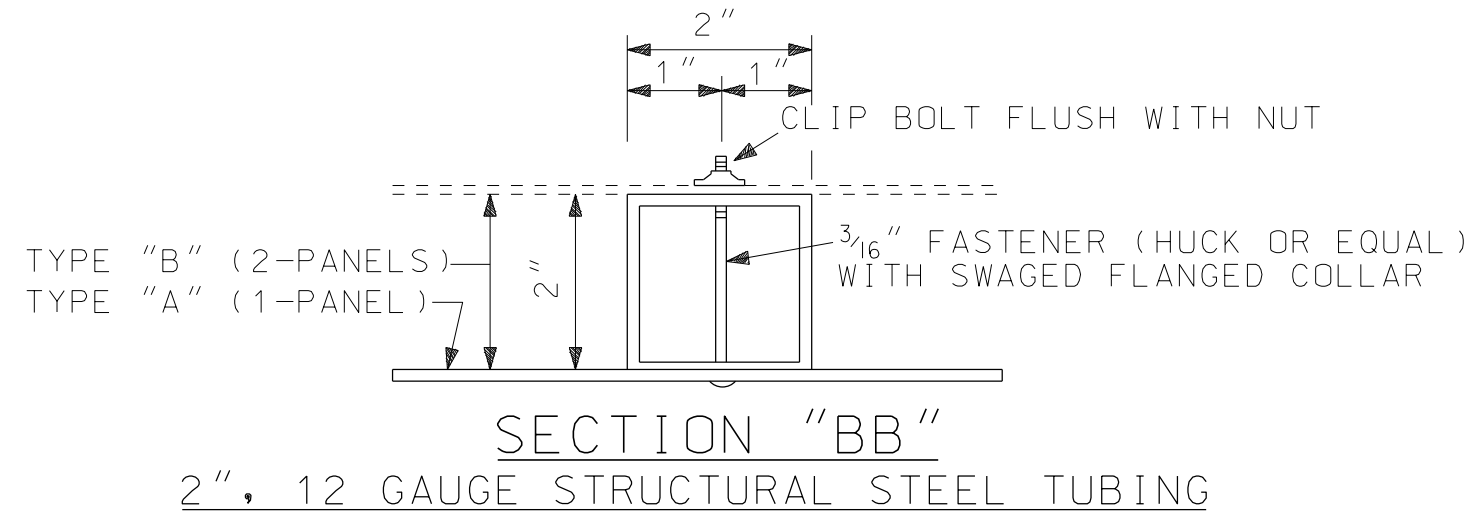


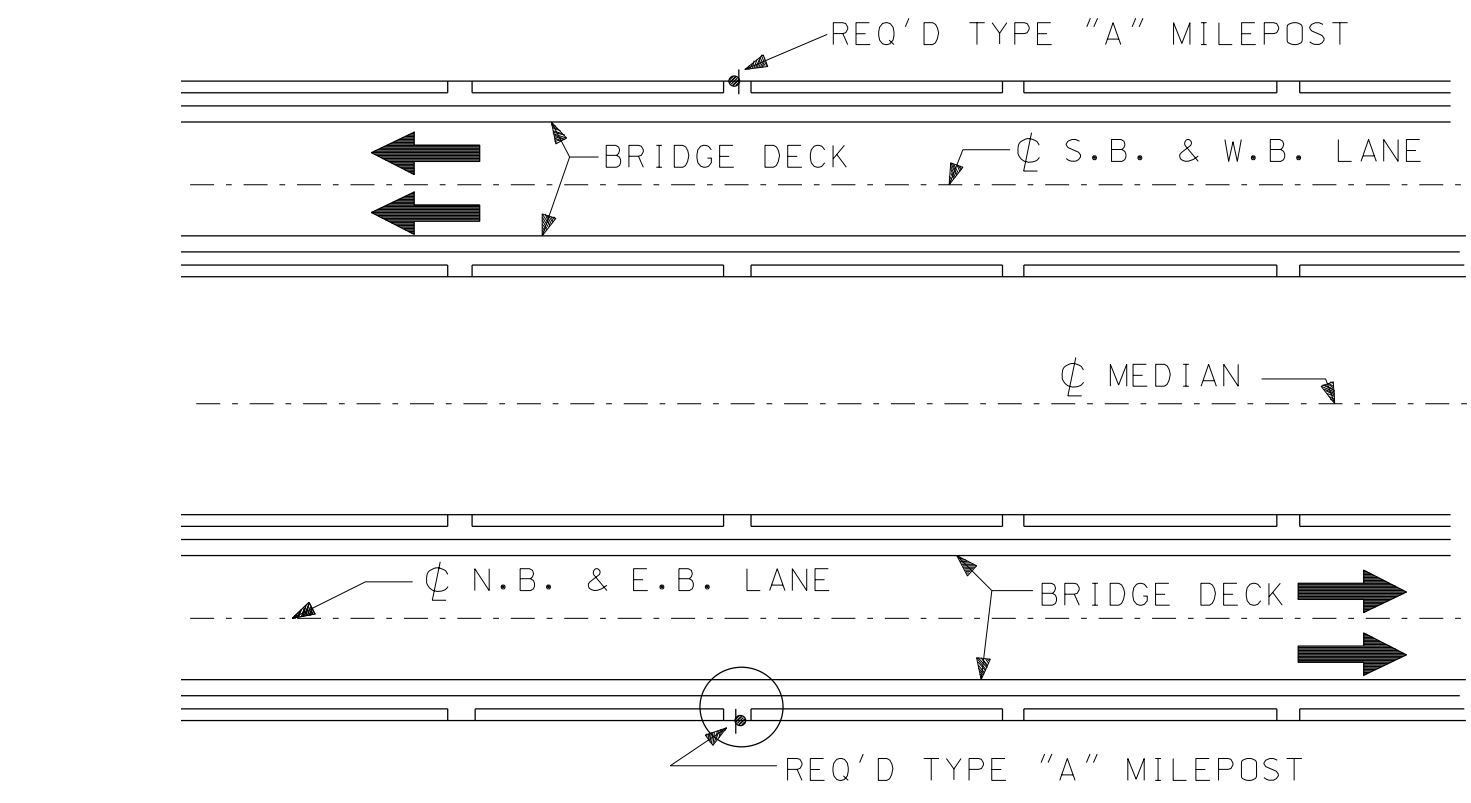
PANEL: .125 ALUMINUM BACKGROUND AND LETTERS REFLECTIVE SHEETING.
 COLOR: BACKGROUND-GREEN (REFLECTORIZED) BORDER, MESSAGE - WHITE REFLECTORIZED).
 NOTE: TYPE III SHEETING IN ACCORDANCE WITH CURRENT M.U.T.C.D..



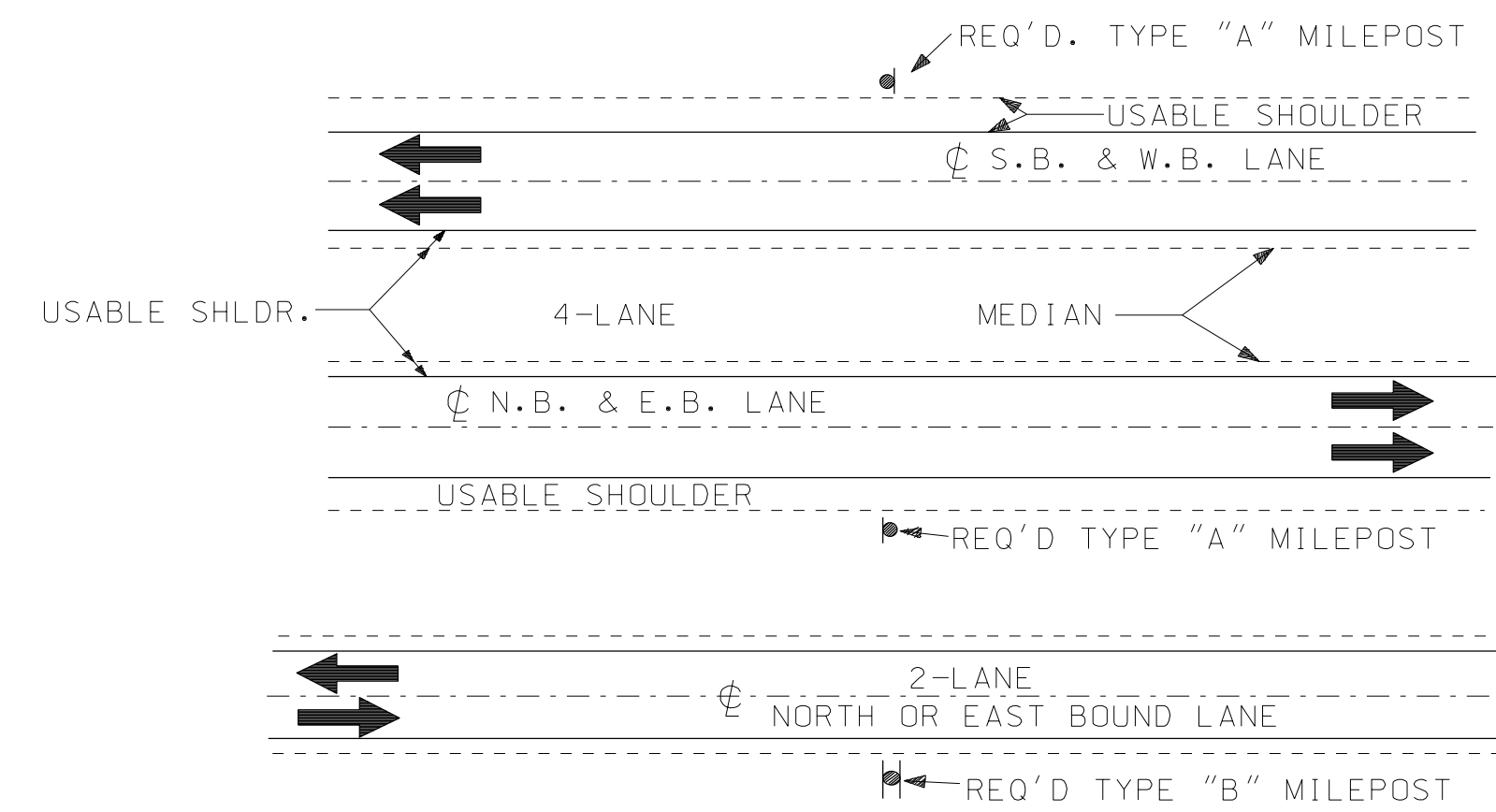
GENERAL NOTES

- TYPE "B" MILEPOSTS ARE TO BE PLACED TO THE RIGHT OF NORTH OR EAST BOUND LANE FOR 2-LANE ROADS ON THE STATE HIGHWAY SYSTEM. TYPE "A" MILEPOSTS ARE TO BE LOCATED AND ERECTED ON MULTI-LANE STATE HIGHWAYS WITH ACCURATE MILEAGE MEASUREMENTS MADE ON EITHER THE NORTHBOUND OR EASTBOUND ROADWAY BEGINNING WITH ZERO MILEAGE AT THE SOUTH OR WEST STATE LINE OR AT JUNCTIONS WHERE ROUTES BEGIN AND RUNNING CONTINUOUS WITHIN THE STATE. CORRESPONDING MILEPOST FOR S.B. OR W.B. ROADWAY ARE TO BE LOCATED DIRECTLY OPPOSITE THOSE ON N.B. OR E.B. ROADWAY.
- FIELD CUTTING OF POST WILL BE PERMITTED PROVIDED SUCH IS ACCOMPLISHED BY SAWING AND THE CUT END IS EMBEDDED IN CONCRETE OR TREATED WITH APPROVED GALVANIZING PAINT. ARTICLE 855.31 OR APPROVED ZINC SPLYTER PAINT.
- IT SHALL BE THE RESPONSIBILITY OF THE ENGINEER TO STAKE THE LOCATION AND NUMERAL DESIGNATION OF EACH MILEPOST.

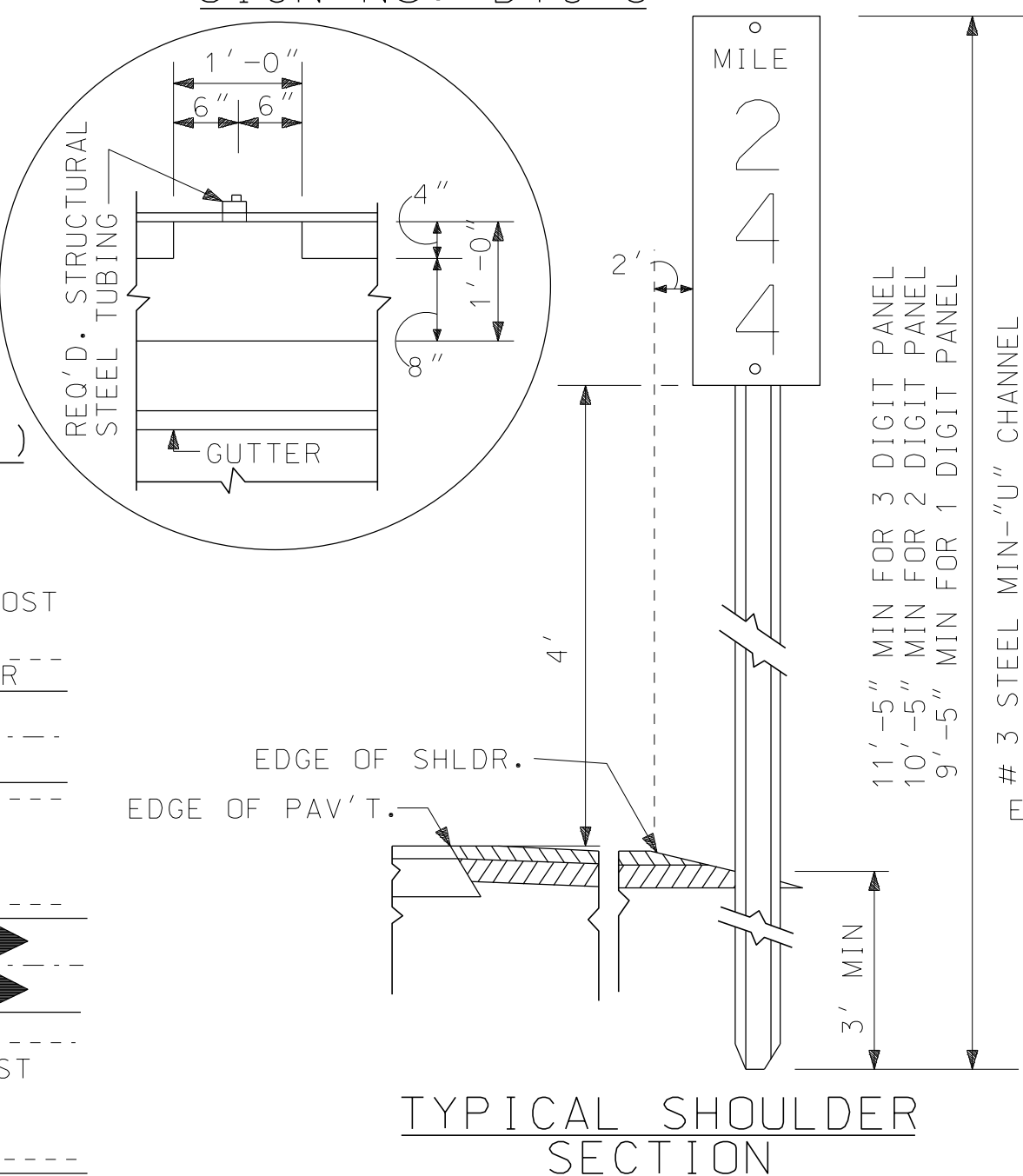
NOTE: POST MAY BE FIELD CUT WHERE ROCK IS ENCOUNTERED.



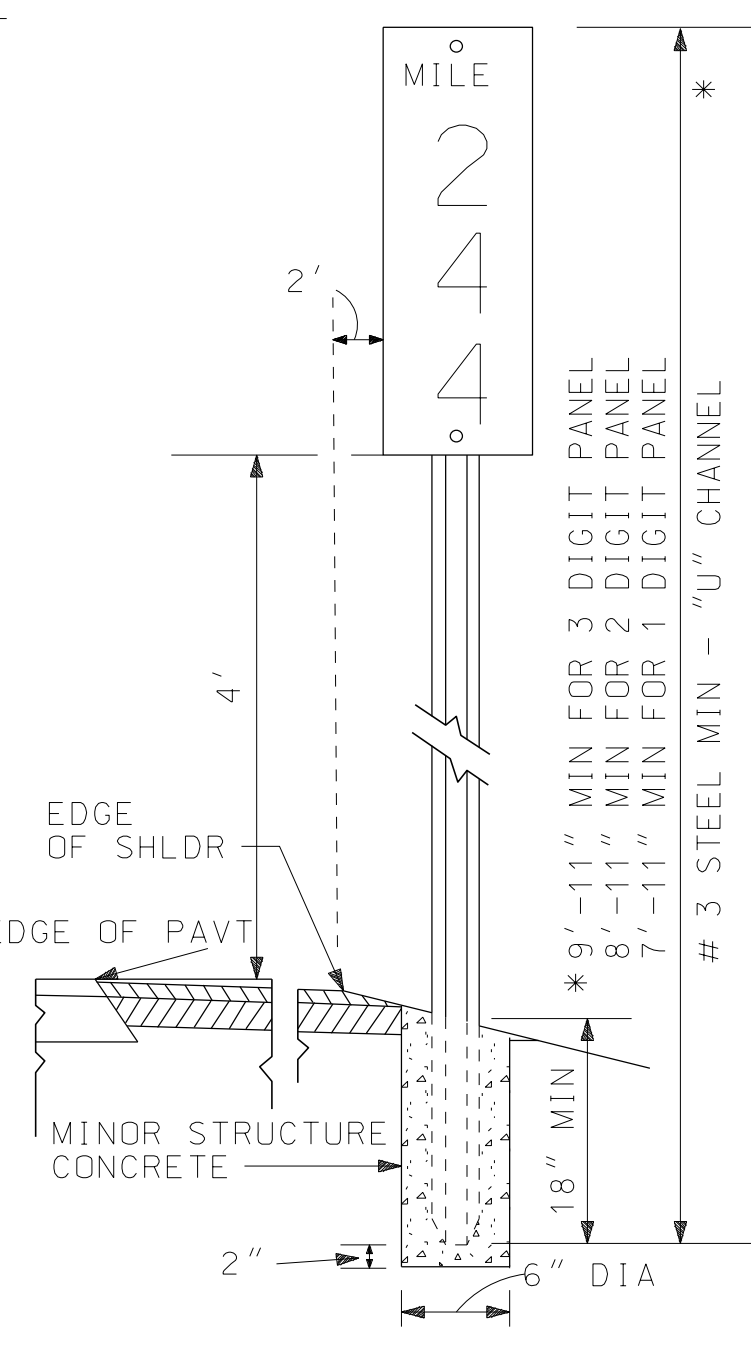
SKETCH SHOWING LOCATION OF MILEPOST (BRIDGE)
 (MILEPOST PANEL SHALL BE PLACED 90° TO EDGE OF PAV'T)



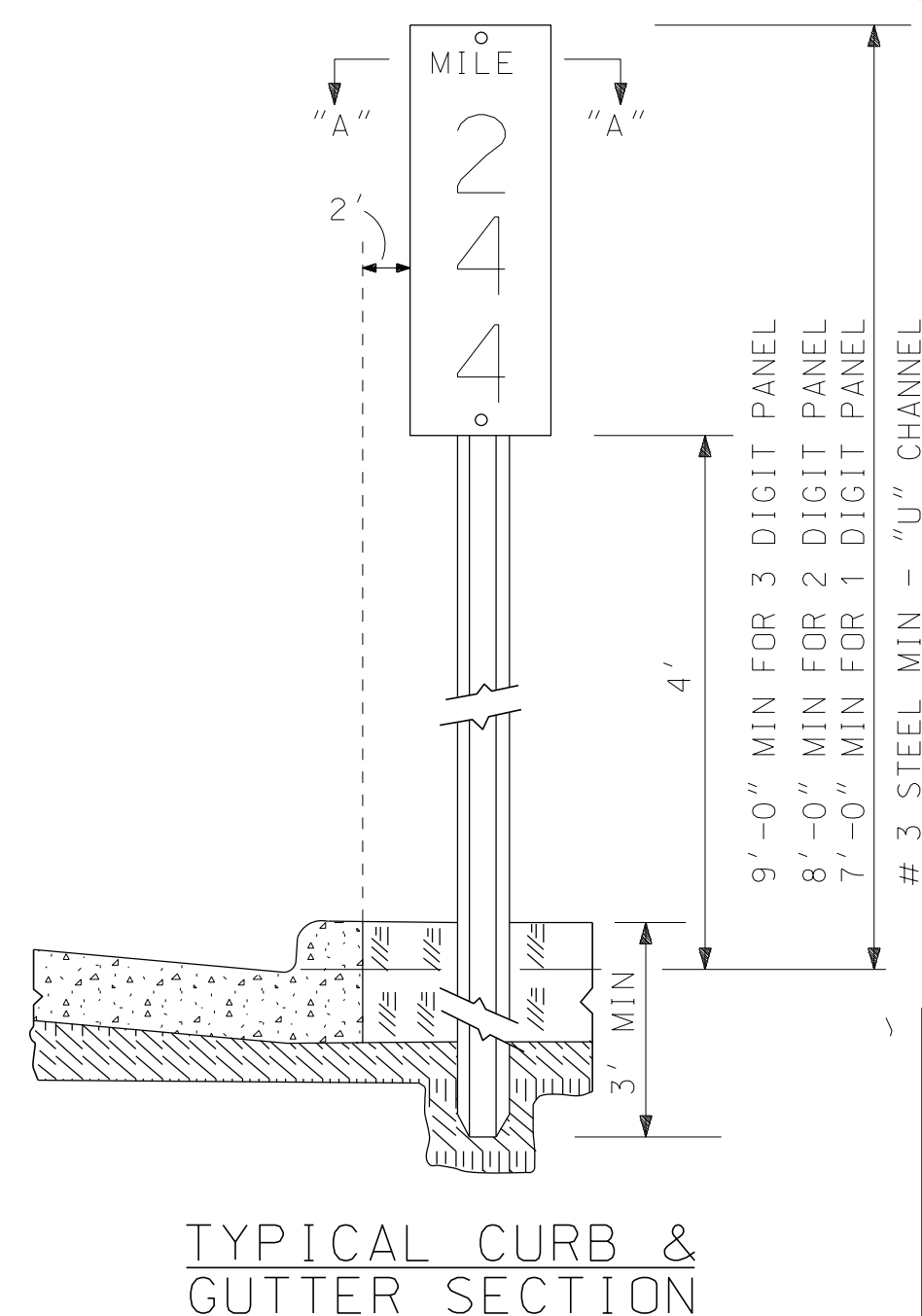
SKETCH SHOWING LOCATION OF MILEPOSTS (ROADWAY)
 (MILEPOST PANEL SHALL BE PLACED 90° TO EDGE OF PAV'T)



TYPICAL SHOULDER SECTION



TYPICAL SHOULDER SECTION



TYPICAL CURB & GUTTER SECTION

FOOTING TO BE USED IN ROCK (SOLID) OR WHEN THE CONTRACTOR ELECTS TO PLACE POST IN DRILLED HOLE WHERE SHATTERED ROCK OR BOULDERS ARE ENCOUNTERED, A MIN OF THREE (3') FEET EMBEDMENT WILL BE REQUIRED OR THE EMBEDMENT FOR ROCK SHOWN ABOVE SHALL BE USED.

--SPECIFICATIONS--
 CURRENT ALABAMA DEPARTMENT OF TRANSPORTATION

THIS DRAWING REPRESENTS DESIGNS PREPARED FOR USE BY THE ALABAMA DEPARTMENT OF TRANSPORTATION AND IS NOT TO BE COPIED, REPRODUCED, ALTERED, OR USED BY ANYONE, OR ANY ORGANIZATION, WITHOUT THE EXPRESSED WRITTEN CONSENT OF THE ALABAMA DEPARTMENT OF TRANSPORTATION REPRESENTATIVE AUTHORIZED TO APPROVE THIS USE. ANYONE MAKING UNAUTHORIZED USE OF THIS DRAWING MAY BE PROSECUTED TO THE FULLEST EXTENT OF THE LAW.

REVISIONS
 1. Added to CADD on 01-26-01 by J.F.T.
 2. Changed all U-channel from #2 to #3 & Square Tube to 2-12 gauge on 09-21-11 by J.F.T.

ALABAMA DEPARTMENT OF TRANSPORTATION
 1409 COLISEUM BOULEVARD
 MONTGOMERY, AL 36130-3050

DESIGN BUREAU SPECIAL DRAWING
 DETAILS OF MILEPOSTS FOR 2 LANE AND 4 LANE HIGHWAYS USING ONE, TWO, OR THREE DIGITS WITH STEEL U-CHANNEL OR TUBULAR STEEL POST

SPECIAL DRAWING NO
 MP-710

INDEX NO
 70901

Bureau Std Engr: D.J.W.
 DRAWN BY: _____ DATE DRAWN: 7-28-80

NOT TO SCALE