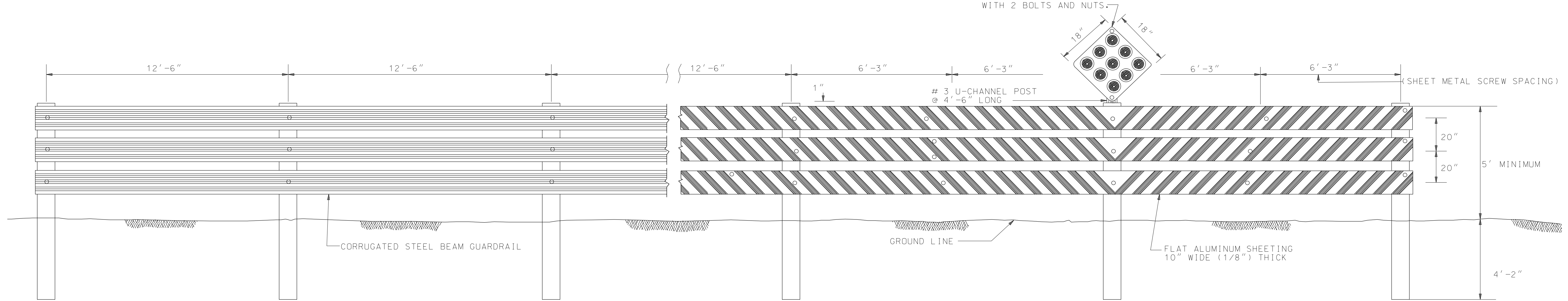
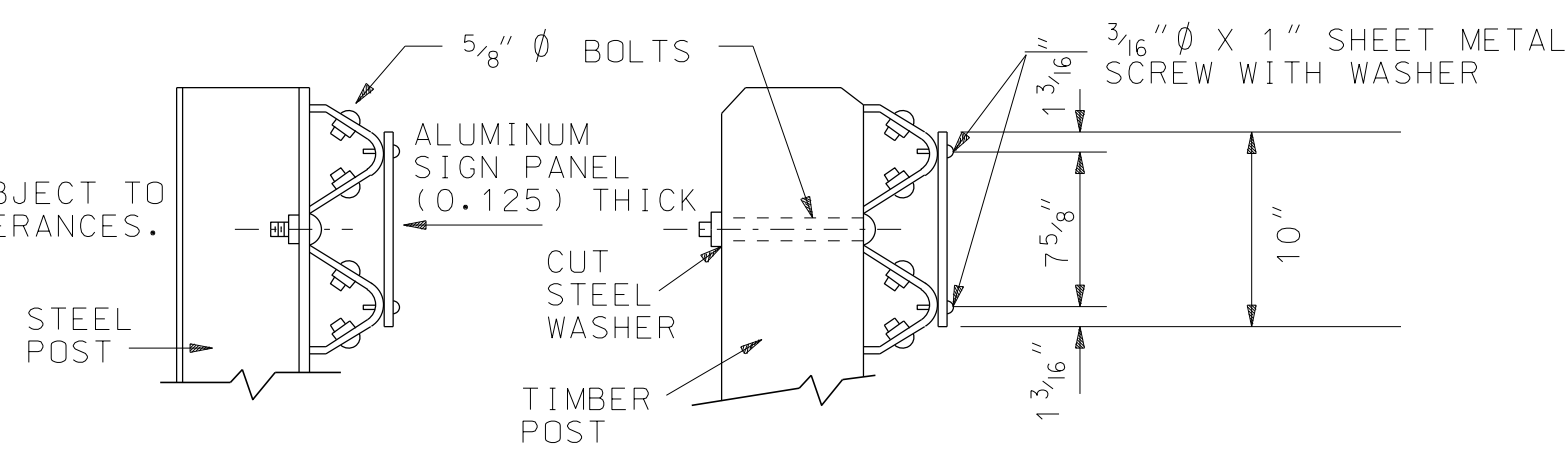


NOTE : TYPE 1-A HAZARD MARKER (2 REQUIRED FOR 4 LANE CLOSURE). BLACK 18" SQUARE ALUMINUM BACKPLATE WITH (9) NINE 3/4" DIAMETER RED CENTERMOUNT DELINEATORS. ATTACH HAZARD MARKER POST TO GUARDRAIL POST WITH 2 BOLTS AND NUTS.

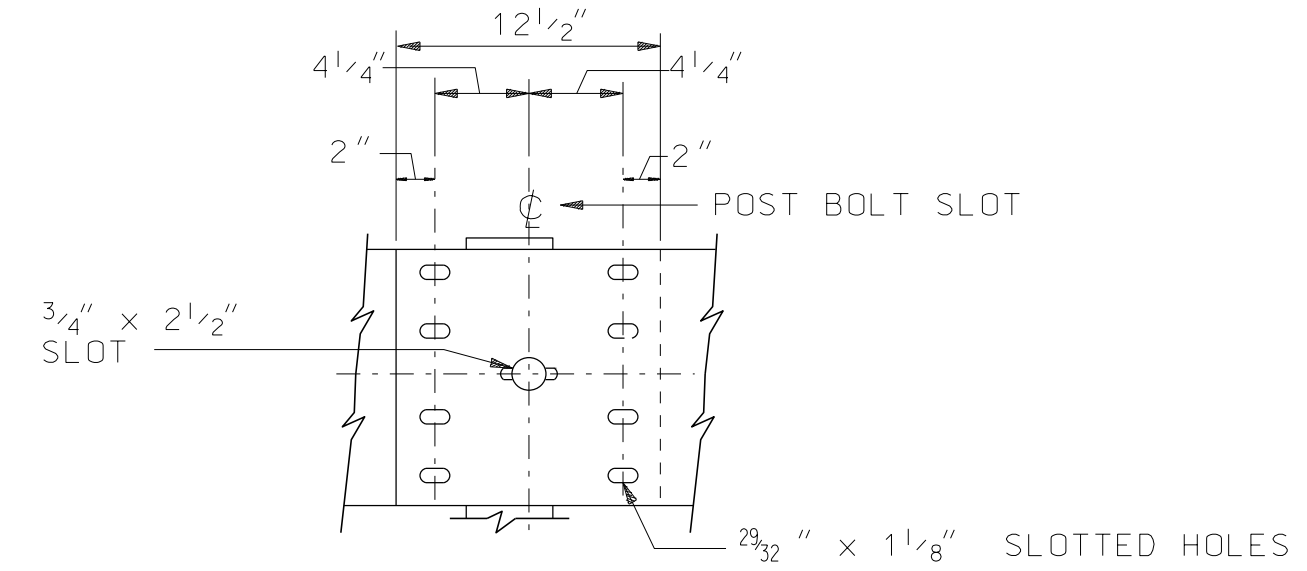


ELEVATION

NOTE : ALL DIMENSIONS SUBJECT TO MANUFACTURING TOLERANCES.



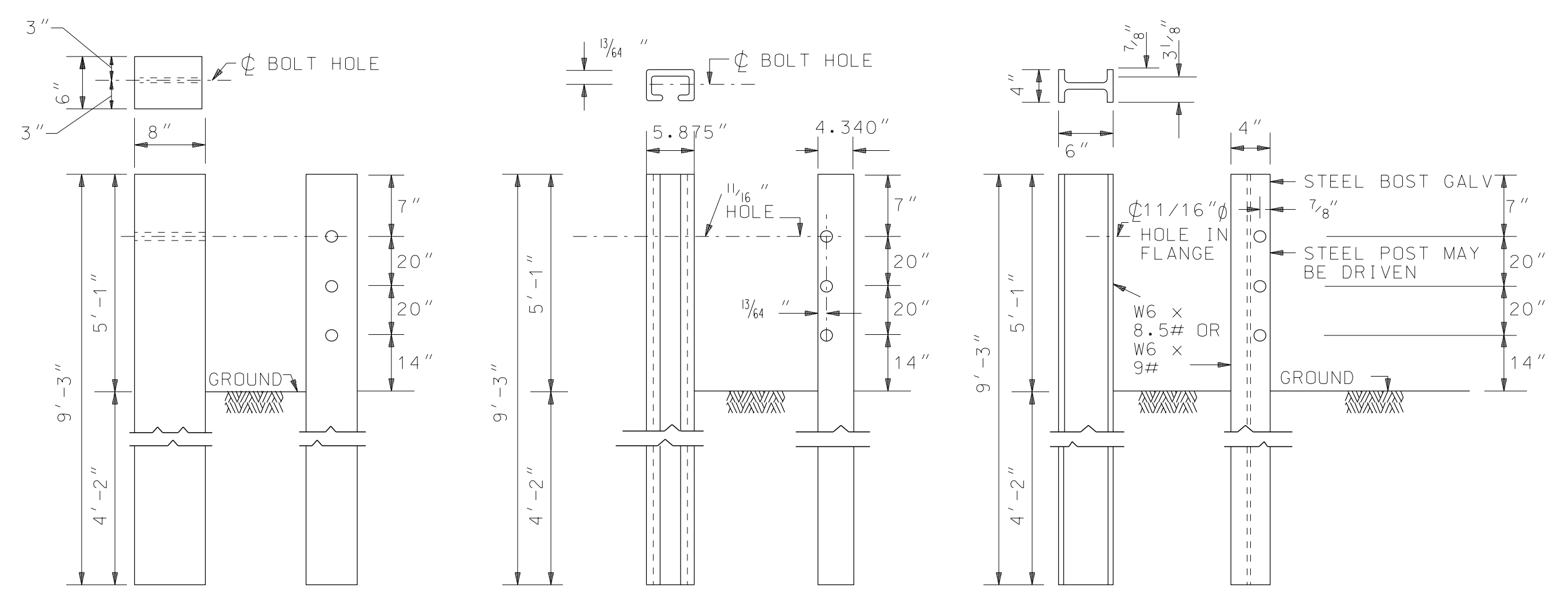
ARRANGEMENT AT POST



RAIL SPLICE

GENERAL NOTES

1. THE RAILS SHALL BE CLASS "A" TYPE 1 "W" BEAM; WITH FLAT ALUMINUM PANELS 0.125" THICK, RED AND WHITE STRIPES, REFLECTORIZED WITH TYPE III OR IV SHEETING 6" IN WIDTH AT AN ANGLE OF 45° WITH THE VERTICAL.
2. THIS DRAWING WAS MADE IN ORDER TO SHOW POST, BEAM GUARDRAIL, PANELS, SLOTS AND FITTINGS REQUIRED TO CONSTRUCT BARRICADES FOR CLOSING ROADS, STREETS AND ALLEYS UP TO 30 FEET IN WIDTH. IF GREATER LENGTH IS REQUIRED, ADDITIONAL POST AND PANELS SHALL BE ADDED. IN ALL CASES THE BARRICADES SHALL BE OF SUFFICIENT LENGTH TO GIVE FULL PROTECTION NECESSARY.
3. TYPE 1-A HAZARD MARKER SHALL BE INCLUDED IN COST OF BARRICADE.
4. DEAD END AND/OR NO OUTLET SIGNS SHALL BE POSTED A SUFFICIENT ADVANCE DISTANCE TO PERMIT VEHICLES TO AVOID THE DEAD END. COST NOT INCLUDED WITH BARRICADE. REFERENCE TO THE PLACEMENT OF THESE SIGNS CAN BE FOUND IN THE M.U.T.C.D.
5. STRIPES SHALL MAKE AN ANGLE OF 45° WITH THE VERTICAL, SLANTING DOWNWARD TOWARD THE SIDE WHICH TRAFFIC IS TO PASS. IF BOTH RIGHT AND LEFT TURNS ARE PROVIDED FOR, THE STRIPES SHALL SLOPE DOWNWARD IN BOTH DIRECTIONS FROM THE CENTER; WHERE NO TURNS ARE INTENDED THE STRIPES SHALL SLOPE DOWNWARD TOWARD THE CENTER OF THE BARRICADE; WHERE TURNS ARE ALLOWED TO THE RIGHT OR LEFT ONLY, STRIPES SHALL SLOPE DOWNWARD TO THE RIGHT OR LEFT AS APPLICABLE.



TIMBER (RECTANGULAR)

GALVANIZED STEEL "C" POST GUARDRAIL POST DETAILS

GALVANIZED STEEL "H" POST

--SPECIFICATIONS--  
CURRENT ALABAMA DEPARTMENT OF TRANSPORTATION

THIS DRAWING REPRESENTS DESIGNS PREPARED FOR USE BY THE ALABAMA DEPARTMENT OF TRANSPORTATION AND IS NOT TO BE COPIED, REPRODUCED, ALTERED, OR USED BY ANYONE, OR ANY ORGANIZATION, WITHOUT THE EXPRESSED WRITTEN CONSENT OF THE ALABAMA DEPARTMENT OF TRANSPORTATION REPRESENTATIVE AUTHORIZED TO APPROVE THIS USE. ANYONE MAKING UNAUTHORIZED USE OF THIS DRAWING MAY BE PROSECUTED TO THE FULLEST EXTENT OF THE LAW.

REVISIONS  
1. Added to CADD on 04-07-99 by Joe F. Thomas  
2. Added Note 5 to General Notes and corrected the stripes to slope downward toward the center of the barricade in the Elevation View on 02-28-13 by J.F.T.

**ALABAMA DEPARTMENT OF TRANSPORTATION**  
1409 COLISEUM BOULEVARD  
MONTGOMERY, AL 36130-3050

DESIGN BUREAU SPECIAL DRAWING  
DETAILS OF PERMANENT BARRICADES

Bureau Std Engr: D.J.W.  
DRAWN BY: \_\_\_\_\_ DATE DRAWN: 03-08-89

SPECIAL DRAWING NO  
B-713

INDEX NO  
71301

NOT TO SCALE