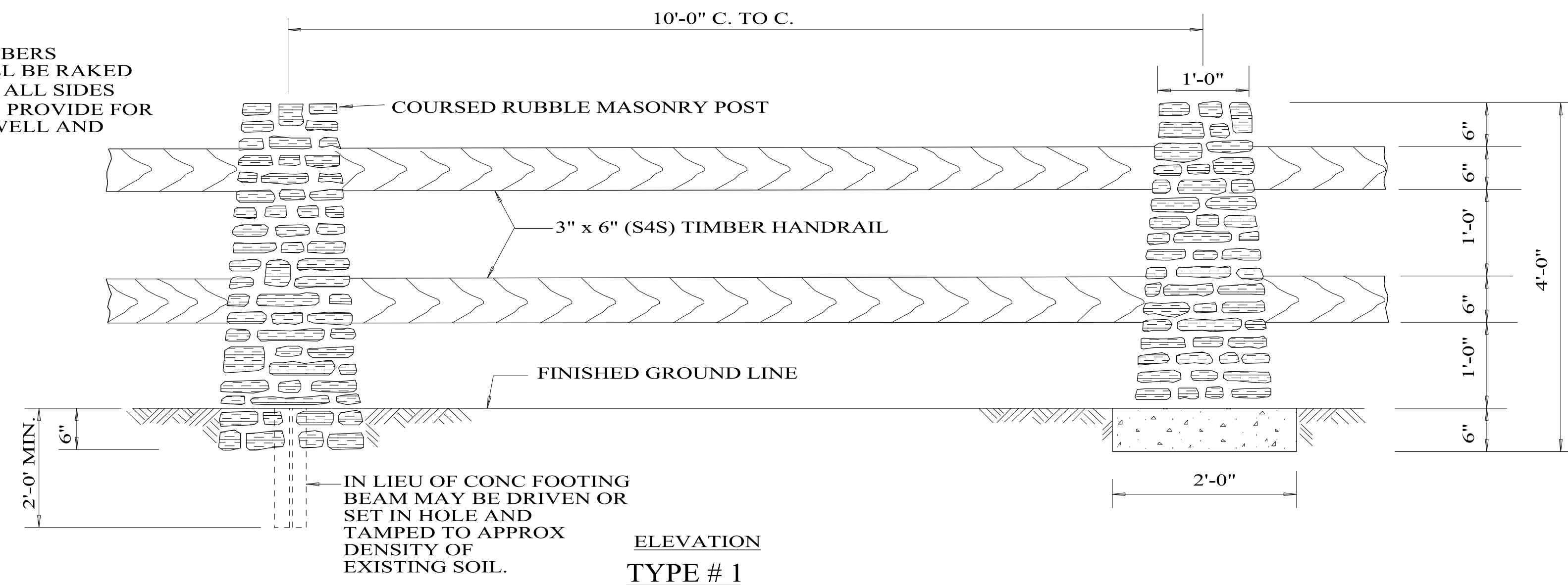
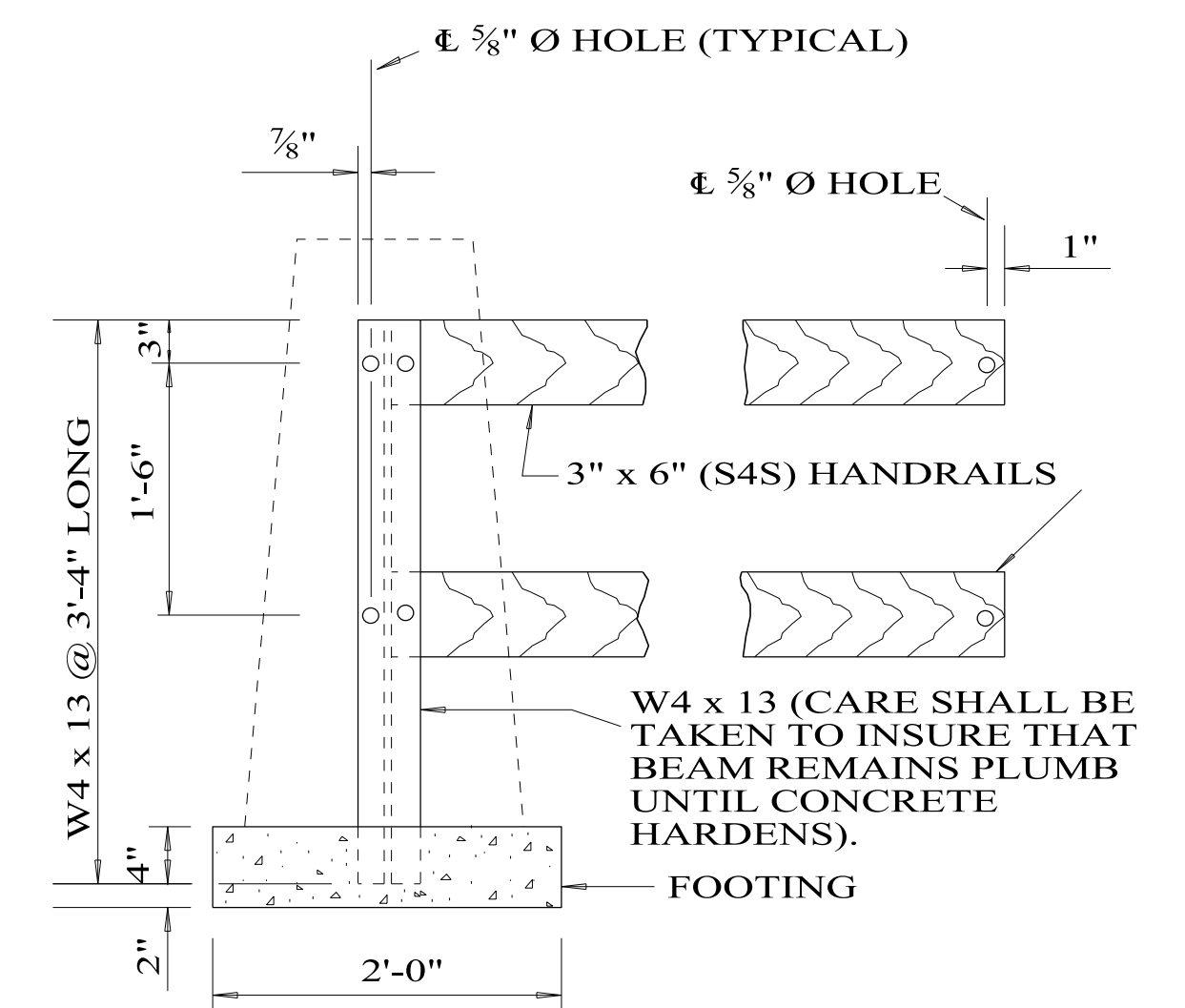


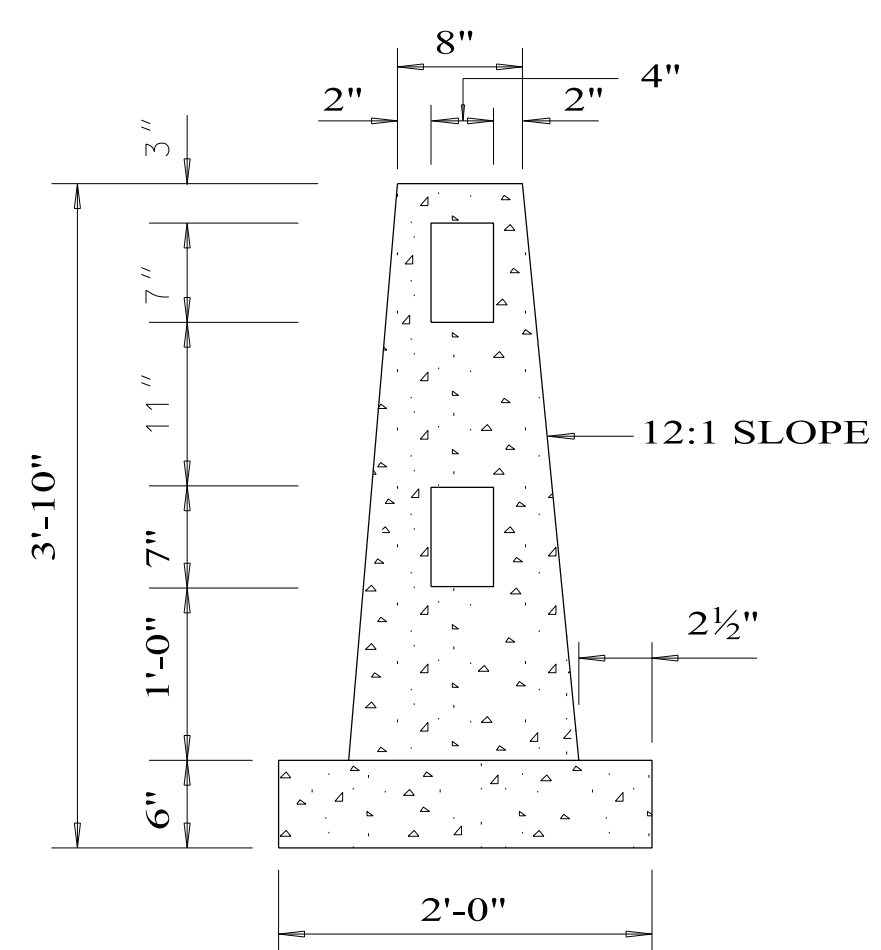
END VIEW



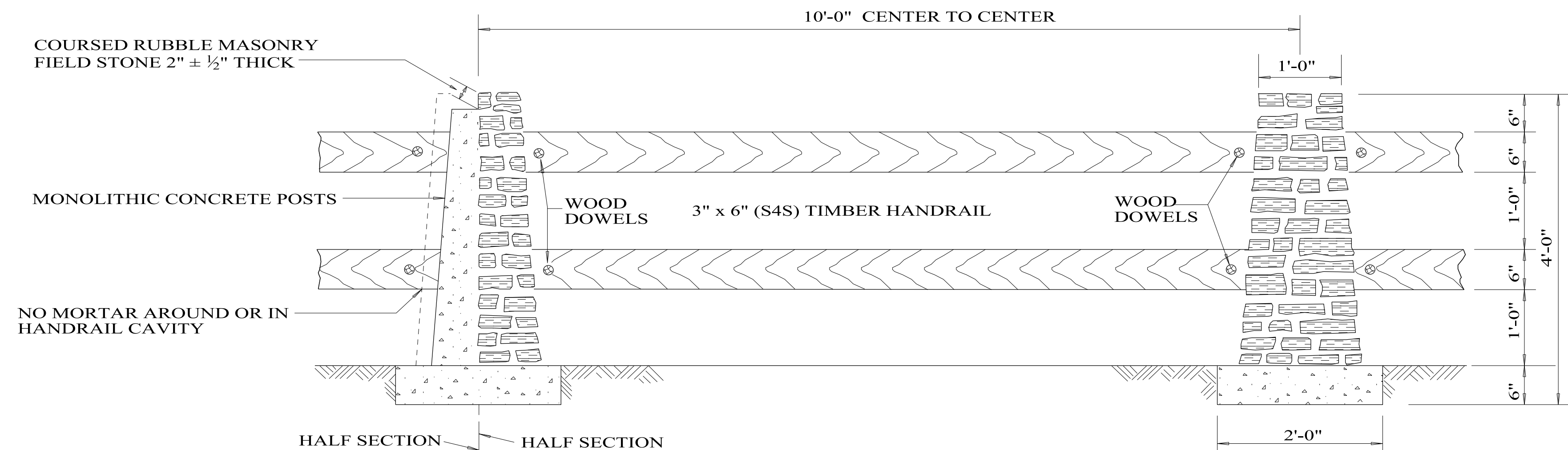
ELEVATION
TYPE # 1



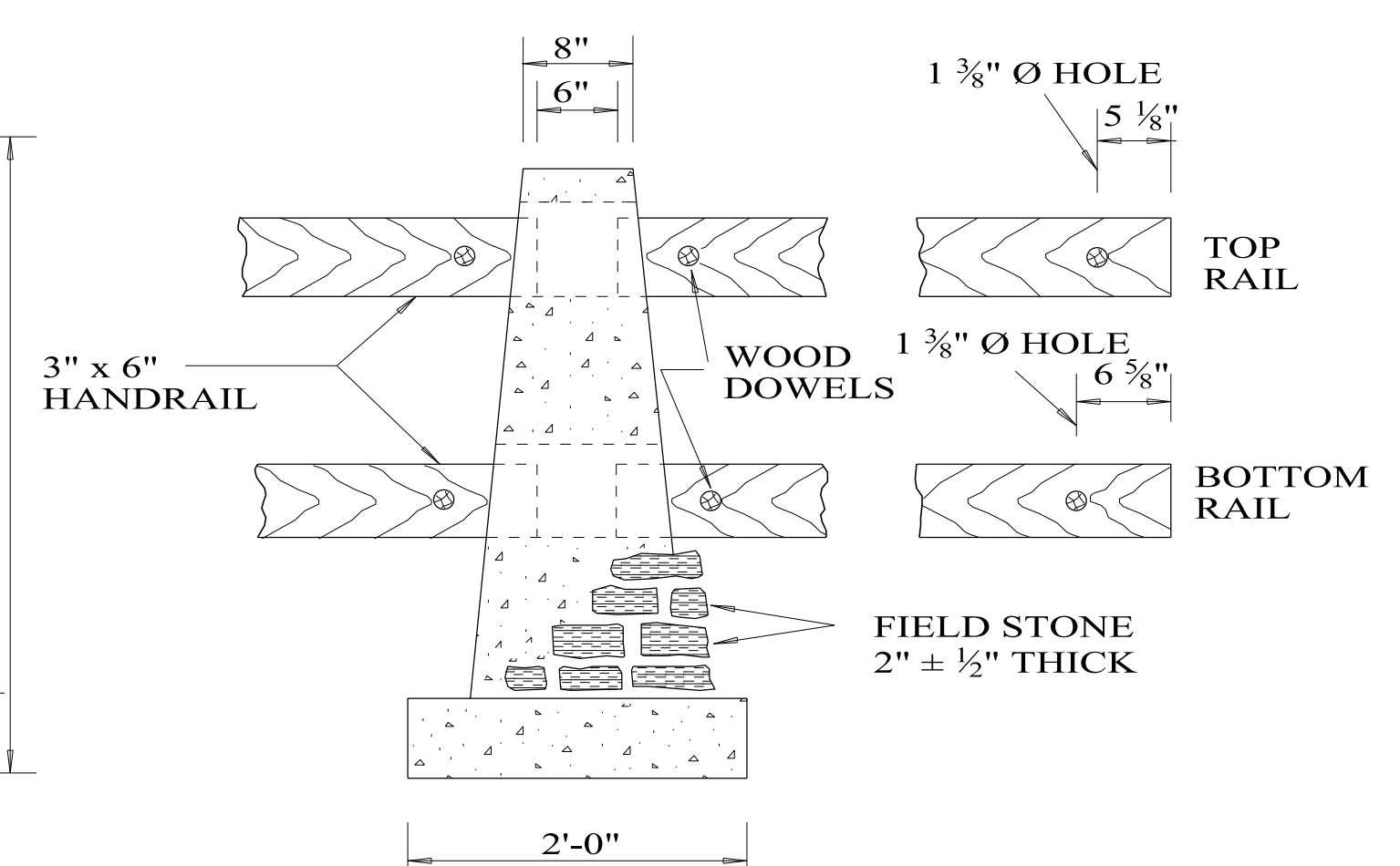
BEAM & FOOTING DETAIL



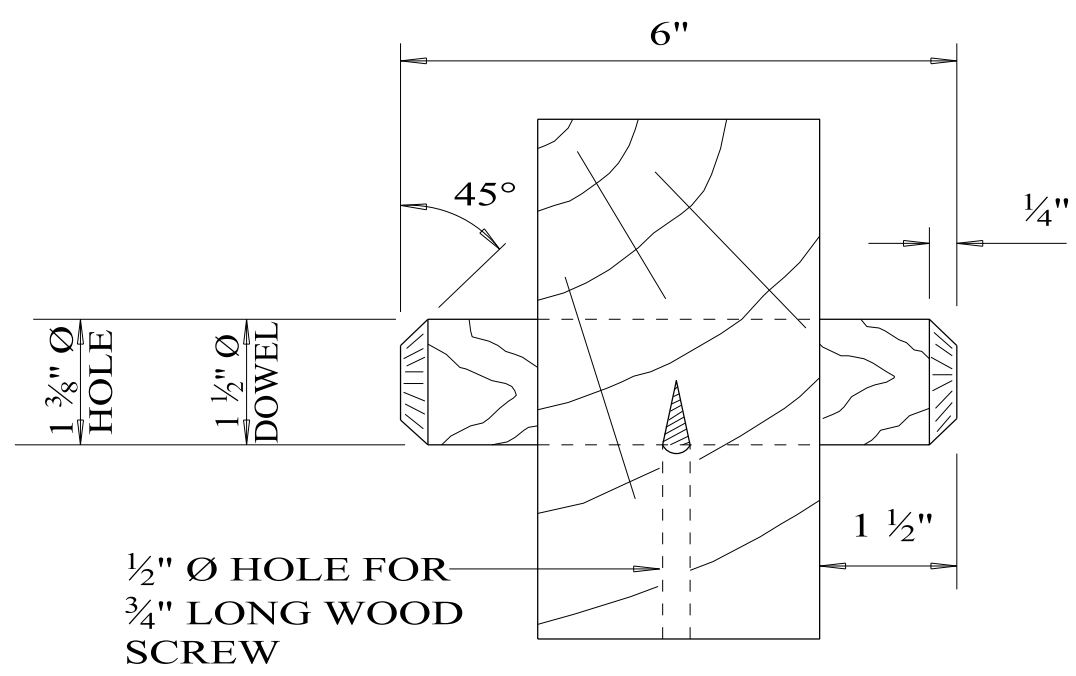
END VIEW
MONOLITHIC POSTS



ELEVATION
TYPE # 2



FRONT VIEW



DOWEL DETAIL

GENERAL NOTES

1. COST OF EXCAVATION FOR POSTS TO BE INCLUDED IN COST OF HANDRAIL.
2. HANDRAILS TO BE S4S AND TREATED IN ACCORDANCE WITH A.W.P.A. STANDARD C14, USING A WATERBORNE PRESERVATIVE.
3. MORTAR FOR COURSED RUBBLE MASONRY SHALL BE A DARK PORTLAND CEMENT MORTAR MIX.
4. MONOLITHICALLY POURED CONCRETE POST AND FOOTING MAY BE PRECAST OR CAST IN PLACE USING CLASS A2 CONCRETE.
5. DOWELS TO BE TREATED WITH PRESERVATIVE, SAME RATE AS HANDRAIL.
6. SUGGESTED REPLACEMENT OF HANDRAIL FOR TYPE NO. 1 IS TO USE EITHER A LAMINATED TIMBER WITH STAGGERED BOLT SPLICE OR AN ADEQUATE BOLTED SPLICE JOINT FOR 3" x 6" TIMBER. BOLT REMOVAL CAN BE ACCOMPLISHED BY REMOVING MORTAR WITH A MASONRY DRILL AND USE OF A SOCKET WRENCH. REMOVED MORTAR SHALL BE REPLACED.
7. TYPE OF HANDRAIL TO BE CONSTRUCTED IS OPTIONAL UNLESS OTHERWISE SPECIFIED. ONLY ONE TYPE SHALL BE USED AT ANY INSTALLATION.
8. HANDRAIL TO BE PAID FOR AS PER LINEAR FEET.
9. W4 x 13 BEAMS TO CONFORM WITH ASTM A-36 AND GALVANIZED AFTER FABRICATION WITH ZINC @ 2 OUNCE/SQ FT BOLTS AND NUTS TO CONFORM WITH ASTM A-307.

NOT TO SCALE