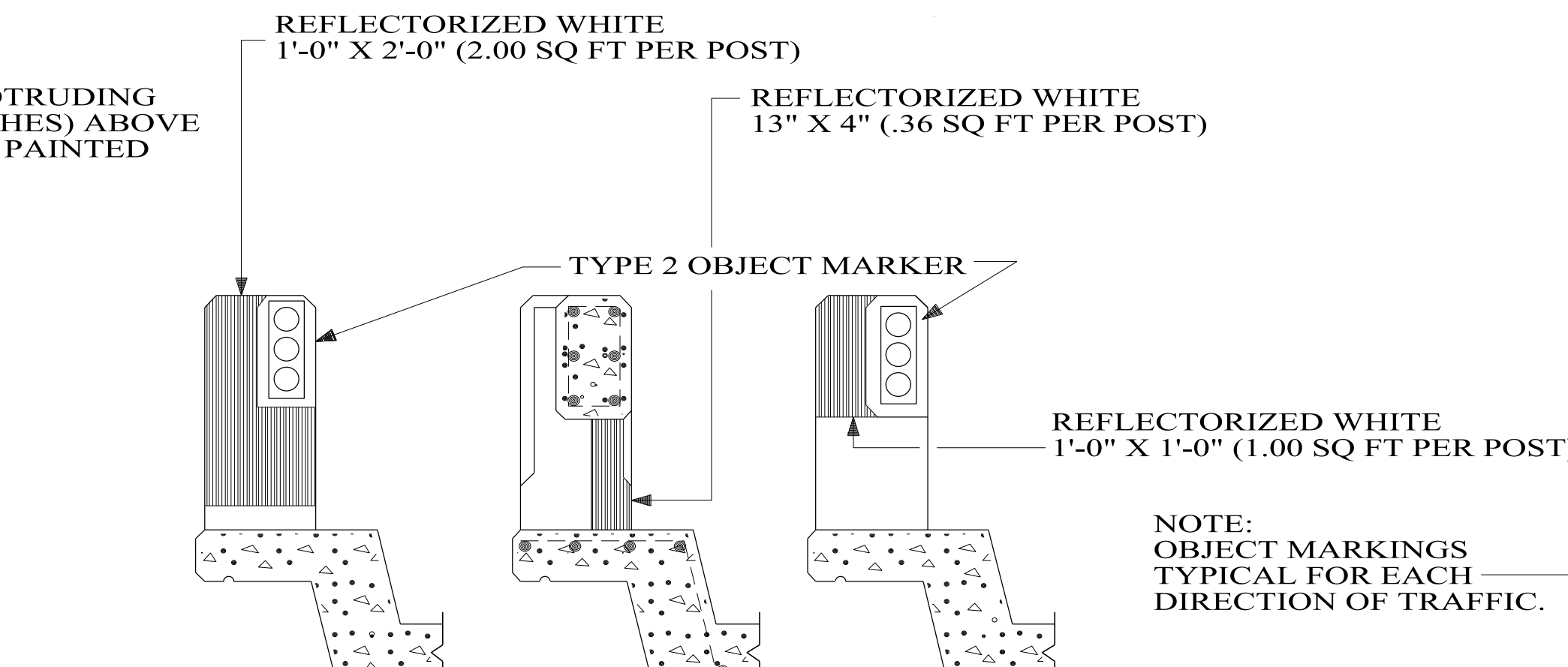
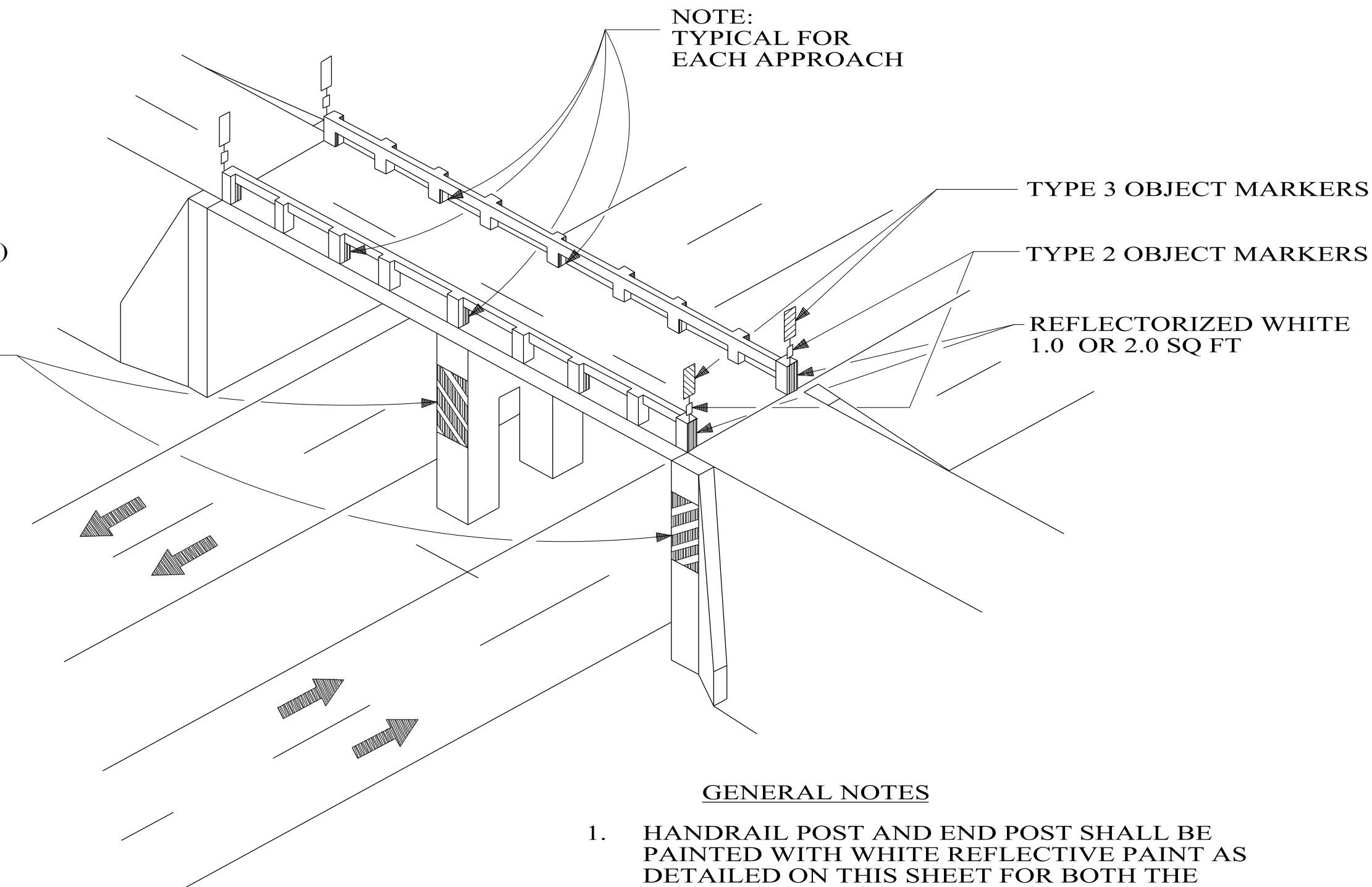


**TYPICAL TREATMENT FOR CULVERTS  
TYPE "C" INSTALLATION**



**DETAIL OF END POST WITHOUT GUARDRAIL    DETAIL "A" OF HANDRAIL POST    DETAIL OF END POST WITH GUARDRAIL**

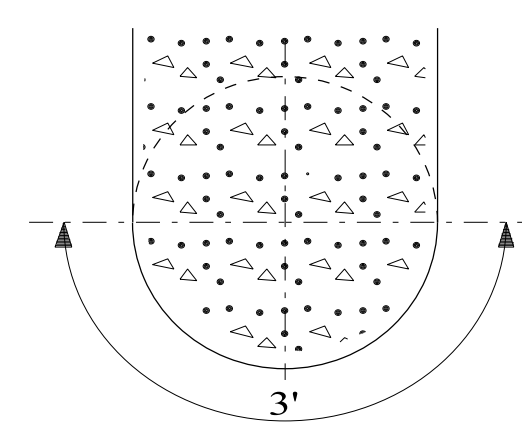
**TYPE "E" INSTALLATION**



**TYPICAL TREATMENT FOR BRIDGES  
TYPE "B" INSTALLATION**

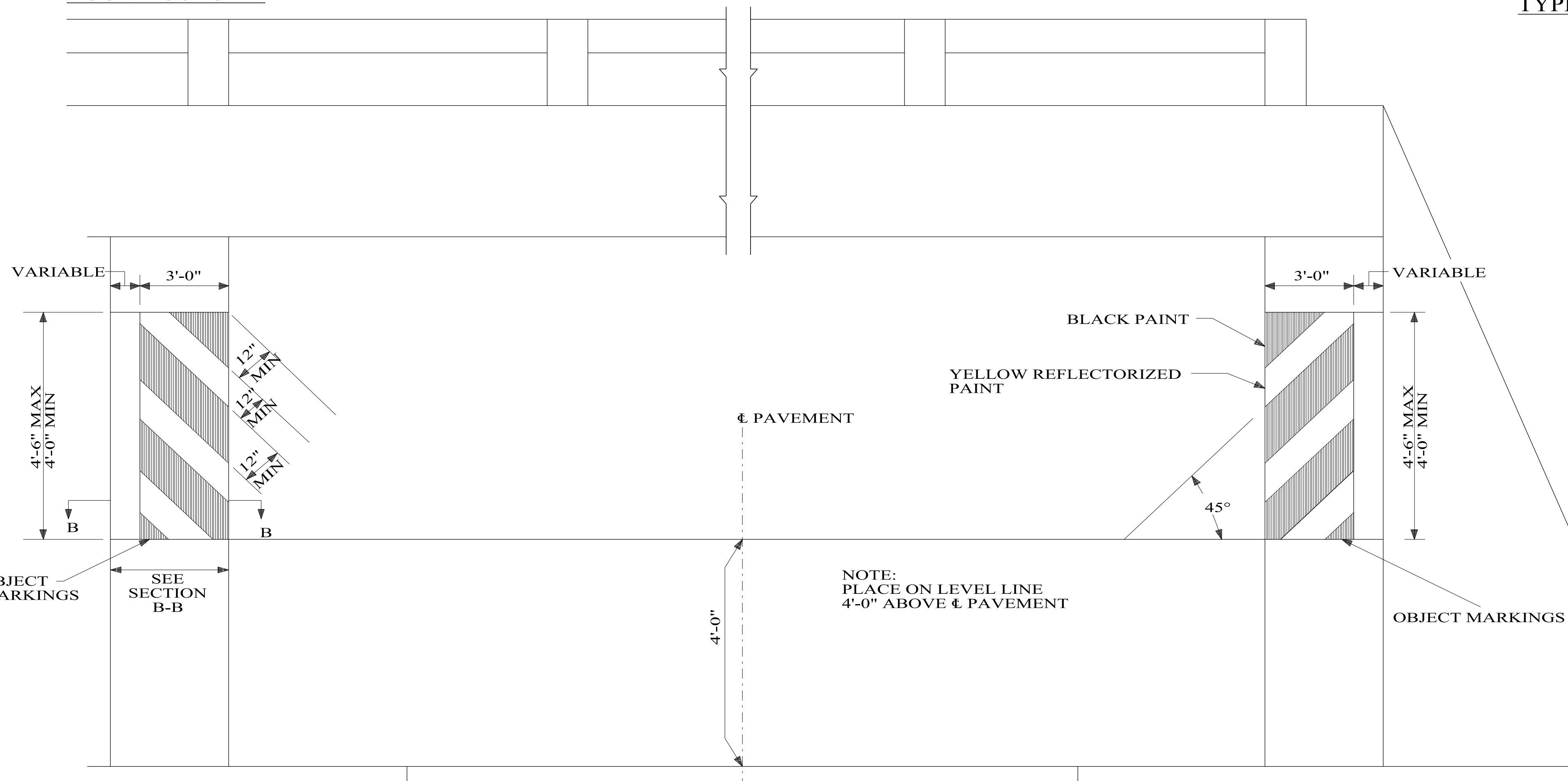
**GENERAL NOTES**

1. HANDRAIL POST AND END POST SHALL BE PAINTED WITH WHITE REFLECTIVE PAINT AS DETAILED ON THIS SHEET FOR BOTH THE RIGHT AND LEFT SIDE HANDRAILS FOR EACH APPROACH.
2. PAINT INSIDE EDGE OF POST WITH WHITE REFLECTIVE PAINT. MINIMUM REQUIREMENT IS TO PAINT ONE POST, SKIP ONE POST, PAINT ONE POST, SKIP ONE POST, ETC. AND SHALL HAVE TWO COATS UNIFORMLY APPLIED.
3. SIZE AND COLOR OF OBJECT MARKINGS ON BRIDGE PIERS SHALL CONFORM TO THE MANUAL ON UNIFORM TRAFFIC CONTROL DEVICES.
4. OBJECT MARKINGS SHALL NOT BE PLACED ON BRIDGE PIERS THAT ARE GREATER THAN 17' FROM EDGE OF TRAVEL WAY AND ADEQUATELY PROTECTED WITHIN THE CLEAR ZONE. OBJECT MARKINGS SHALL BE REQUIRED ON ALL BRIDGE PIERS THAT ARE 17' OR LESS FROM THE TRAVEL WAY REGARDLESS OF BARRIER OR GUARDRAIL PROTECTION.
5. OBJECT MARKERS SHALL BE ALIGNED WITH THE EDGE OF THE PIER CLOSEST TO TRAFFIC. THIS INCLUDES ROUND COLUMNS.

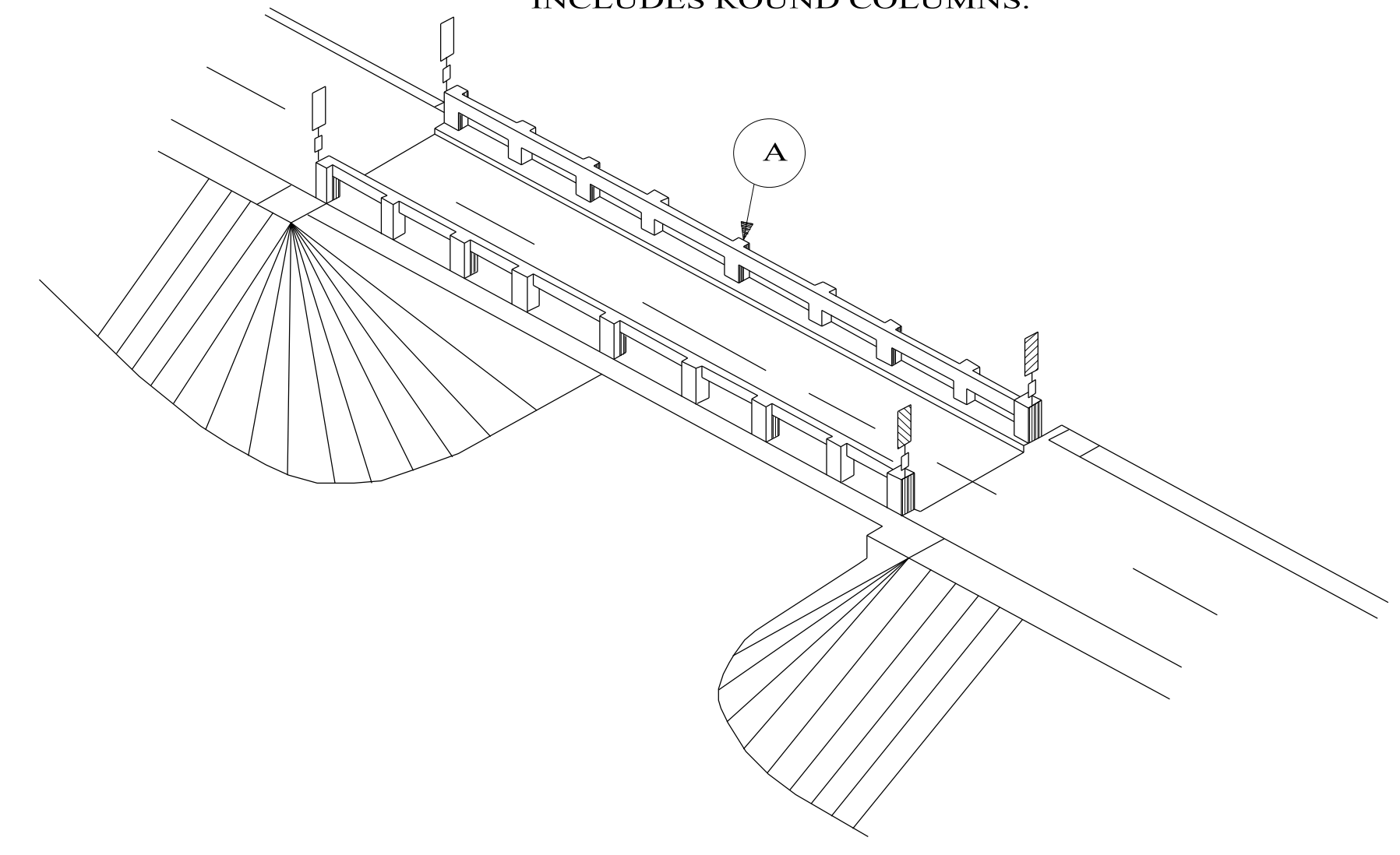


**SECTION B-B  
ROUND COLUMN**

NOTE:  
THE EXACT LOCATION FOR OBJECT MARKING ON ROUND OR OVAL PIERS SHALL BE DETERMINED ON THE SITE BY THE ENGINEER.  
SEE NOTE 5.



**TYPICAL BRIDGE OBJECT MARKINGS DETAILS**



NOT TO SCALE