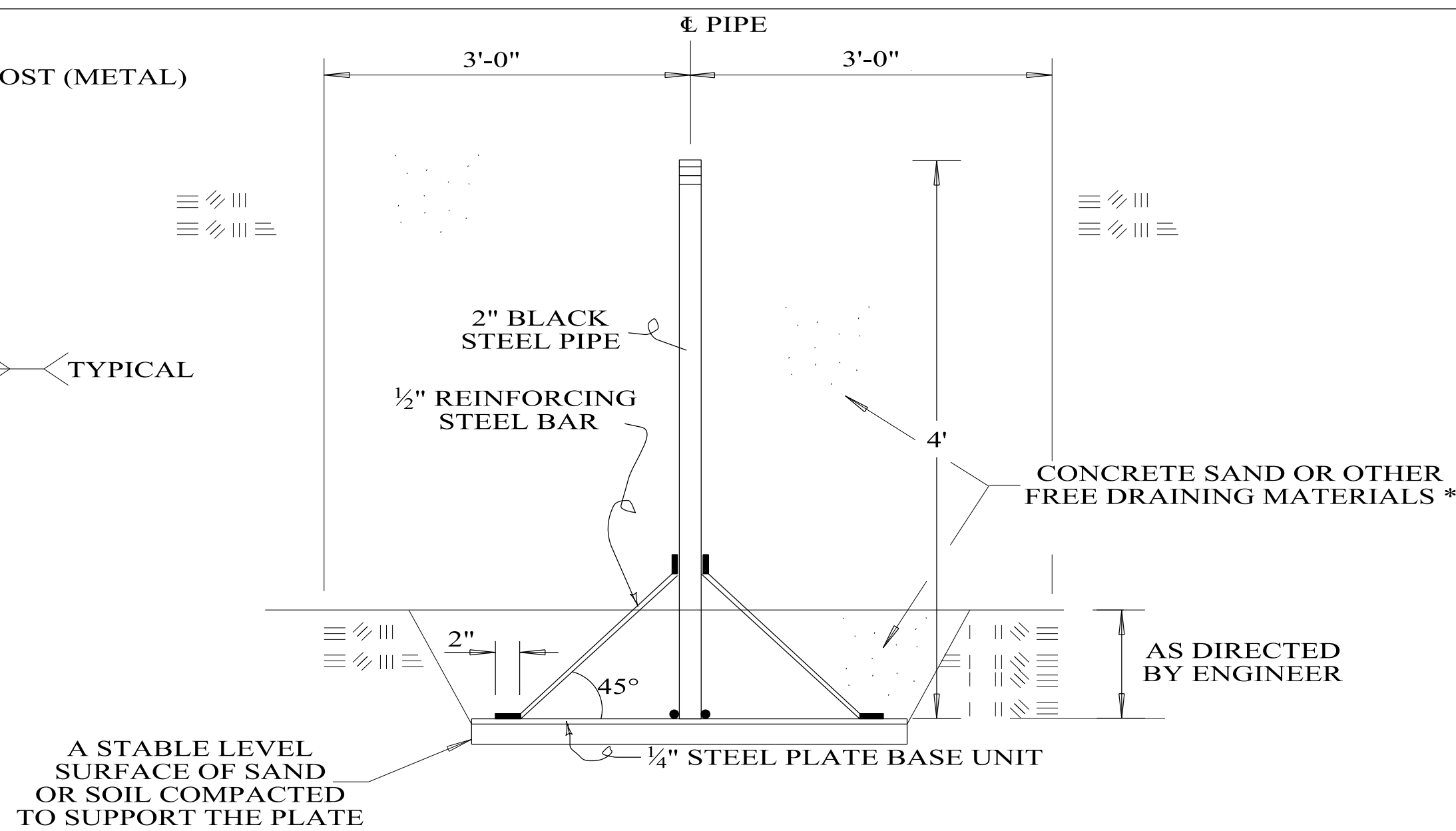
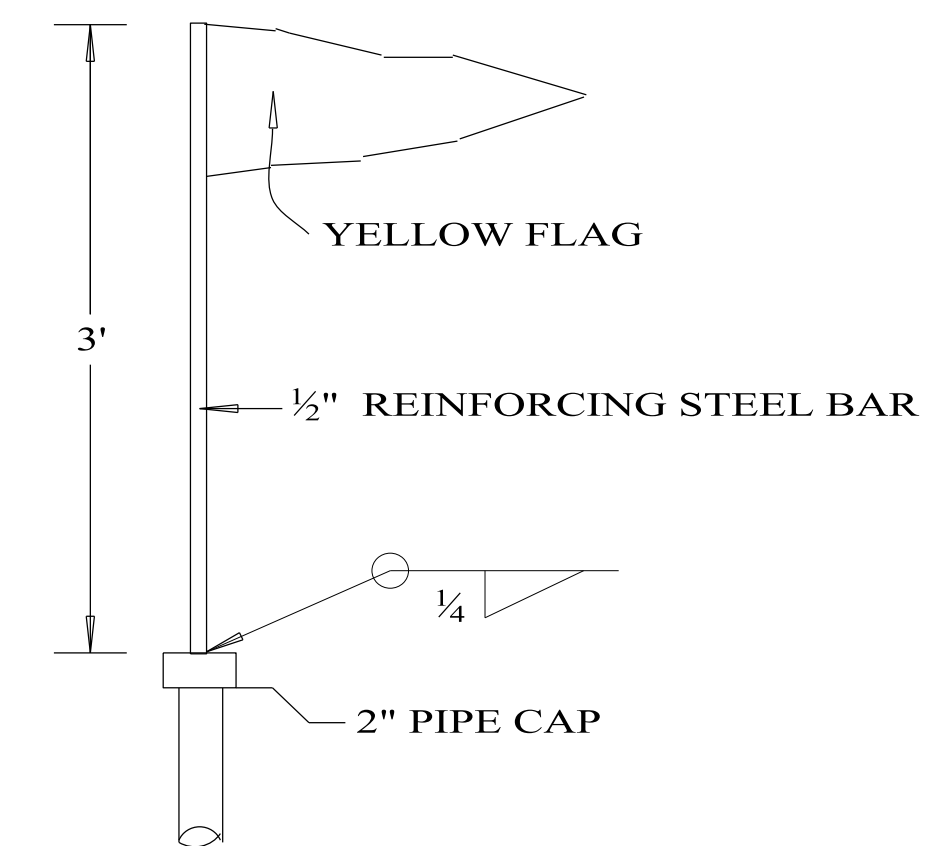


**DETAILS OF STEEL PLATE BASE UNIT**



**DETAILS OF TYPICAL SETTLEMENT PLATE OPTION 1**

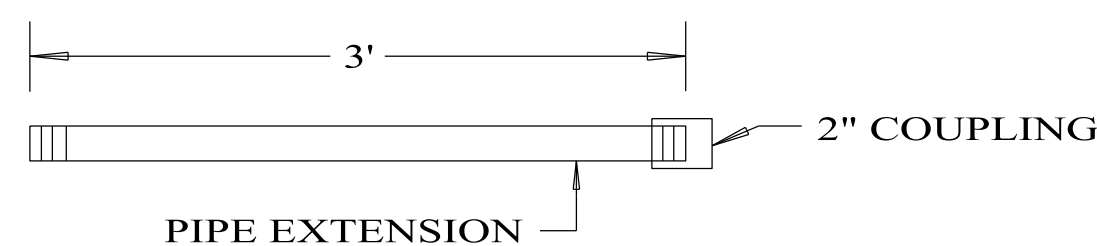
Note: Each 2" Black steel pipe used will be coated with 1/8" thick coat of Asphalt Grade PG 67-22 and double wrapped with Aluminum Foil (0.0015 inches thick). Heavy twine or plastic coated tie wire shall be used to secure foil in place



**DETAILS OF WARNING FLAG**

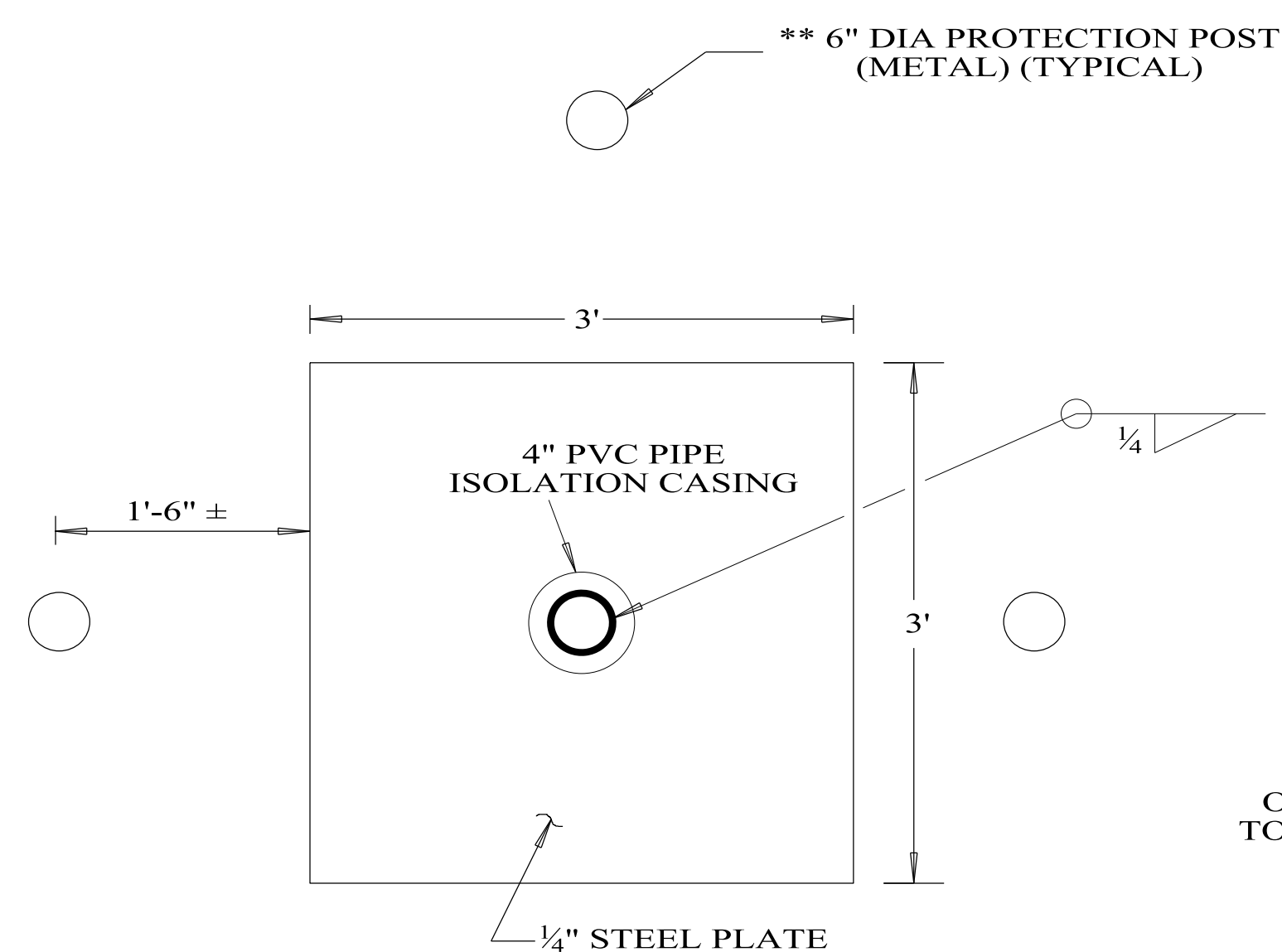
**GENERAL NOTES**

- \*1. CONCRETE SAND MEETING THE REQUIREMENTS GIVEN IN ALDOT SECTION 802 SHALL BE FURNISHED FOR FILL AROUND THE PIPE. OTHER FREE DRAINING MATERIALS MAY BE USED FOR THIS FILL IF APPROVED BY THE ENGINEER. THIS FILL SHALL BE PLACED BY HAND TO FILL THE AREA WITHIN 3 FEET OF THE SETTLEMENT PIPE ASSEMBLY AS THE SURROUNDING FILL IS BEING PLACED AND SHALL BE COMPACTED WITH A SMALL MECHANICAL TAMPER TO THE DENSITY APPROVED BY THE ENGINEER.
- \*\*2. PROTECTION POSTS SHALL BE PROVIDED AT THE COMPLETION OF THE PLACEMENT OF THE FILL AND SHALL BE PAINTED WITH WARNING STRIPES AND/OR OTHER SAFETY DEVICES AS DETERMINED BY THE ENGINEER.
3. PAYMENT MAY BE MADE PER EACH, SETTLEMENT PLATE ASSEMBLY, 240A.

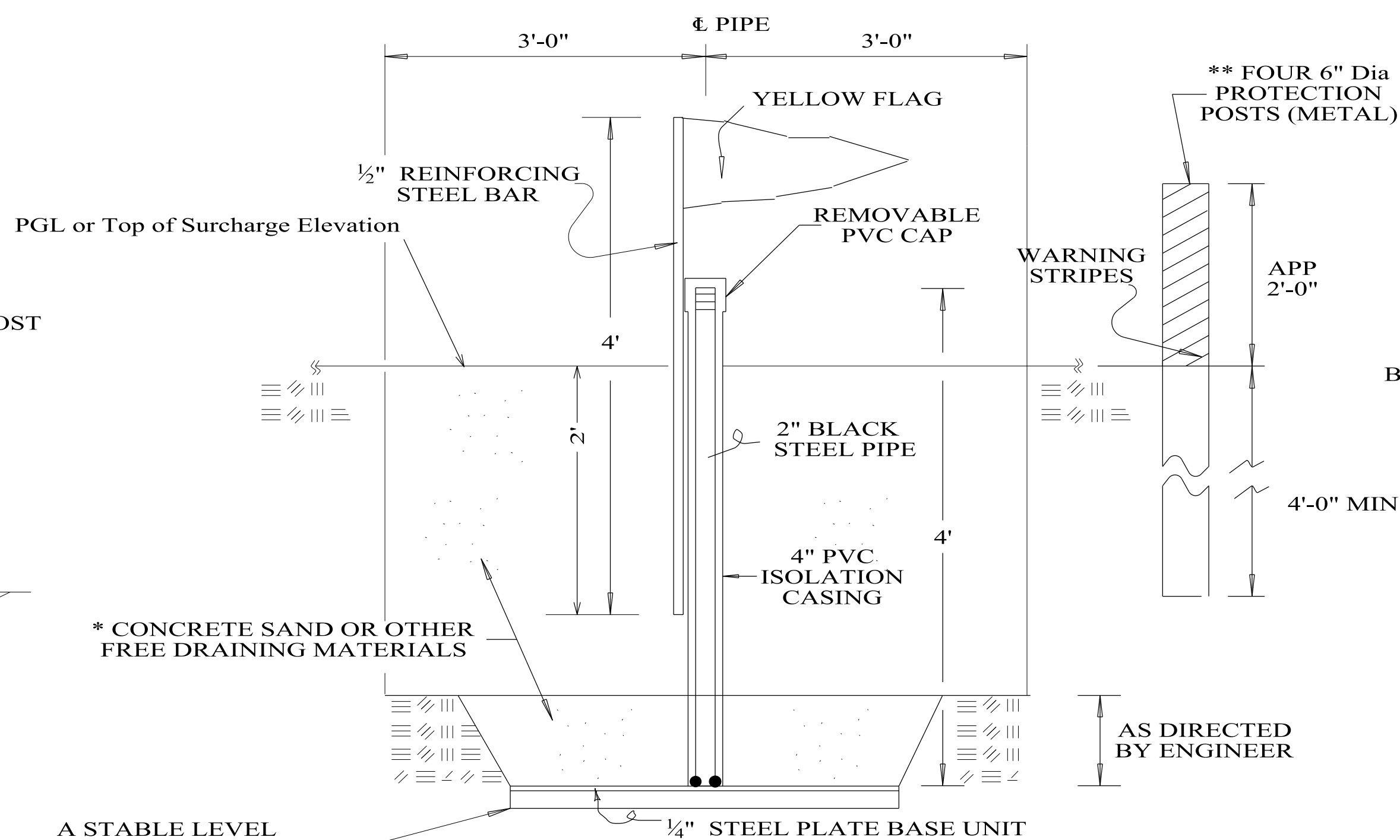


**DETAILS OF PIPE EXTENSIONS & COUPLINGS**

NOTE: ALL EXTENSIONS & COUPLINGS TO BE 2" BLACK STEEL PIPE.

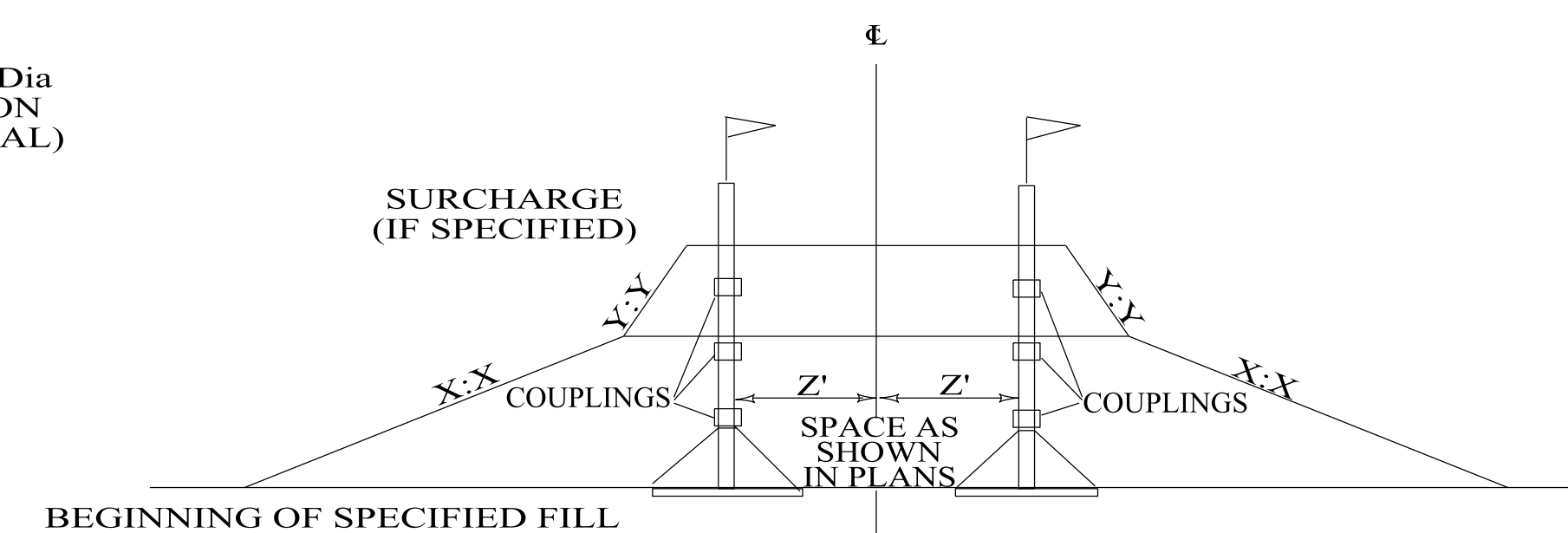


**DETAILS OF STEEL PLATE BASE UNIT**

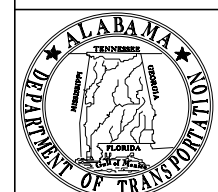


**DETAILS OF TYPICAL SETTLEMENT PLATE OPTION 2**

Note: Each 2" Black steel pipe used will have an outer 4" PVC Isolation Casing.



**TYPICAL SETTLEMENT PLATES AT SPECIFIED DEPTHS & LOCATIONS IN AN EMBANKMENT**



ALABAMA DEPARTMENT OF TRANSPORTATION  
1409 COLISEUM BOULEVARD  
MONTGOMERY, AL 36130-3050

THIS DRAWING REPRESENTS DESIGNS PREPARED FOR USE BY THE ALABAMA DEPARTMENT OF TRANSPORTATION AND IS NOT TO BE COPIED, REPRODUCED, ALTERED, OR USED BY ANYONE, OR ANY ORGANIZATION, WITHOUT THE EXPRESSED WRITTEN CONSENT OF THE ALABAMA DEPARTMENT OF TRANSPORTATION REPRESENTATIVE AUTHORIZED TO APPROVE THIS USE. ANYONE MAKING UNAUTHORIZED USE OF THIS DRAWING MAY BE PROSECUTED TO THE FULLEST EXTENT OF THE LAW.

REVISIONS:  
1. Added as new Special Drawing 6-28-1993.  
2. Added an Option 2 using excerpts from ASTM D6598; added notes to Option 1 & Option 2 and changed note for Pipe Extension/Couplings on 8-18-2006 by W.W.A.

Bureau Std Engr: D.J.W.  
DRAWN BY: M & T  
DATE DRAWN: 6-22-1993  
REVISED DATE: 8-18-2006

DESIGN BUREAU SPECIAL DRAWING  
DETAILS OF TYPICAL SETTLEMENT PLATE ASSEMBLY

NOT TO SCALE

--SPECIFICATIONS--  
CURRENT ALABAMA DEPARTMENT OF TRANSPORTATION

SPECIAL DRAWING NO

UBC-210-SP

INDEX NO

24001