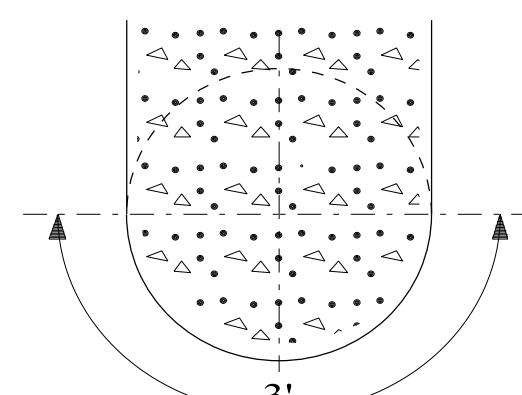
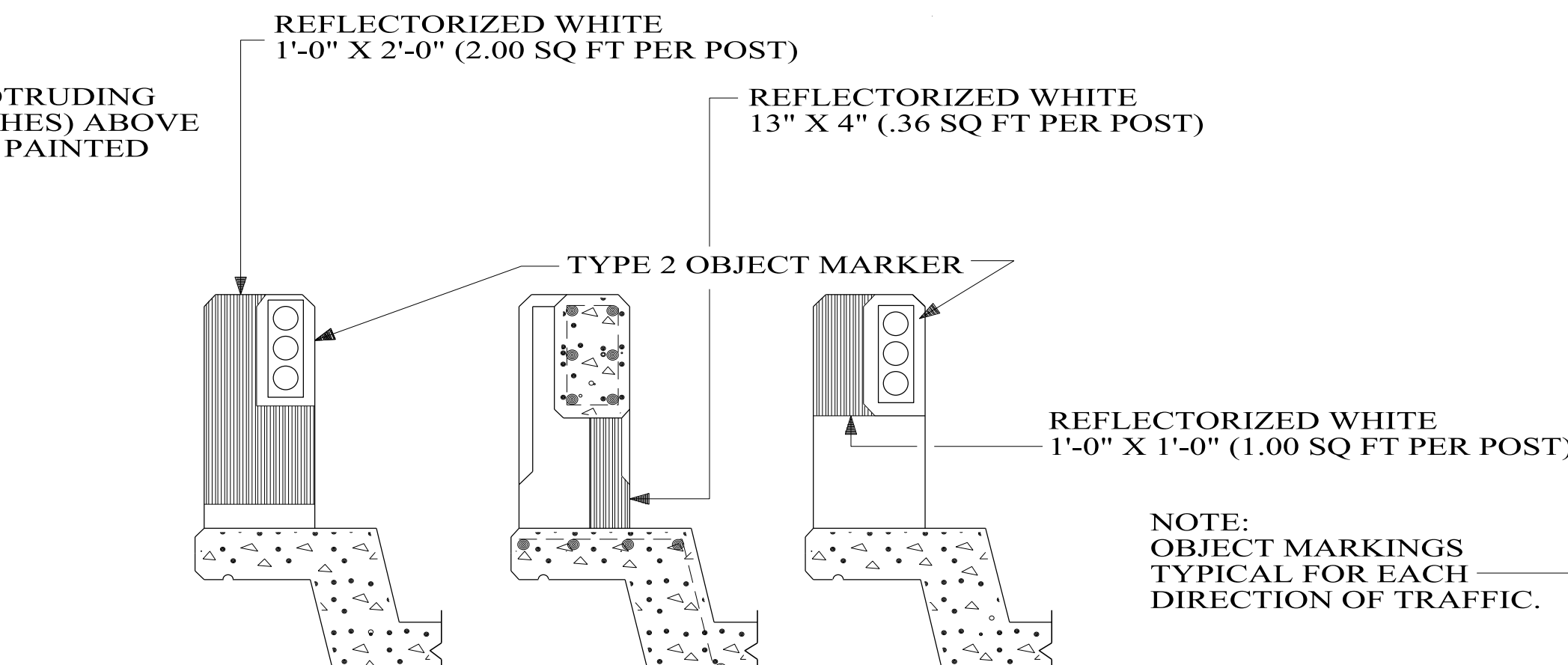


**TYPICAL TREATMENT FOR CULVERTS  
TYPE "C" INSTALLATION**



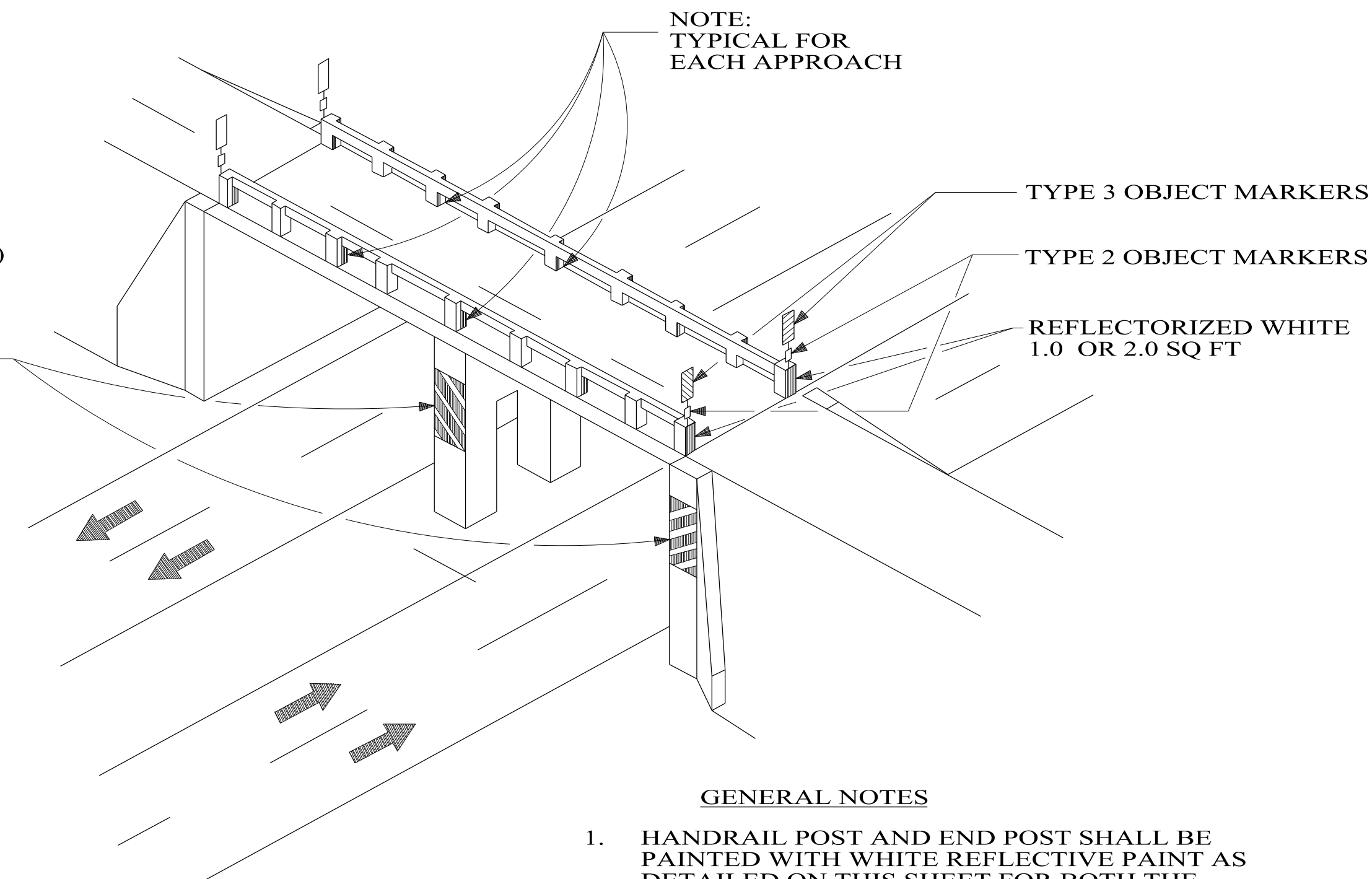
**SECTION B-B  
ROUND COLUMN**

NOTE:  
THE EXACT LOCATION FOR OBJECT  
MARKING ON ROUND OR OVAL  
PIERS SHALL BE DETERMINED ON THE  
SITE BY THE ENGINEER.  
SEE NOTE 5.



**DETAIL OF END POST WITHOUT GUARDRAIL    DETAIL "A" OF HANDRAIL POST    DETAIL OF END POST WITH GUARDRAIL**

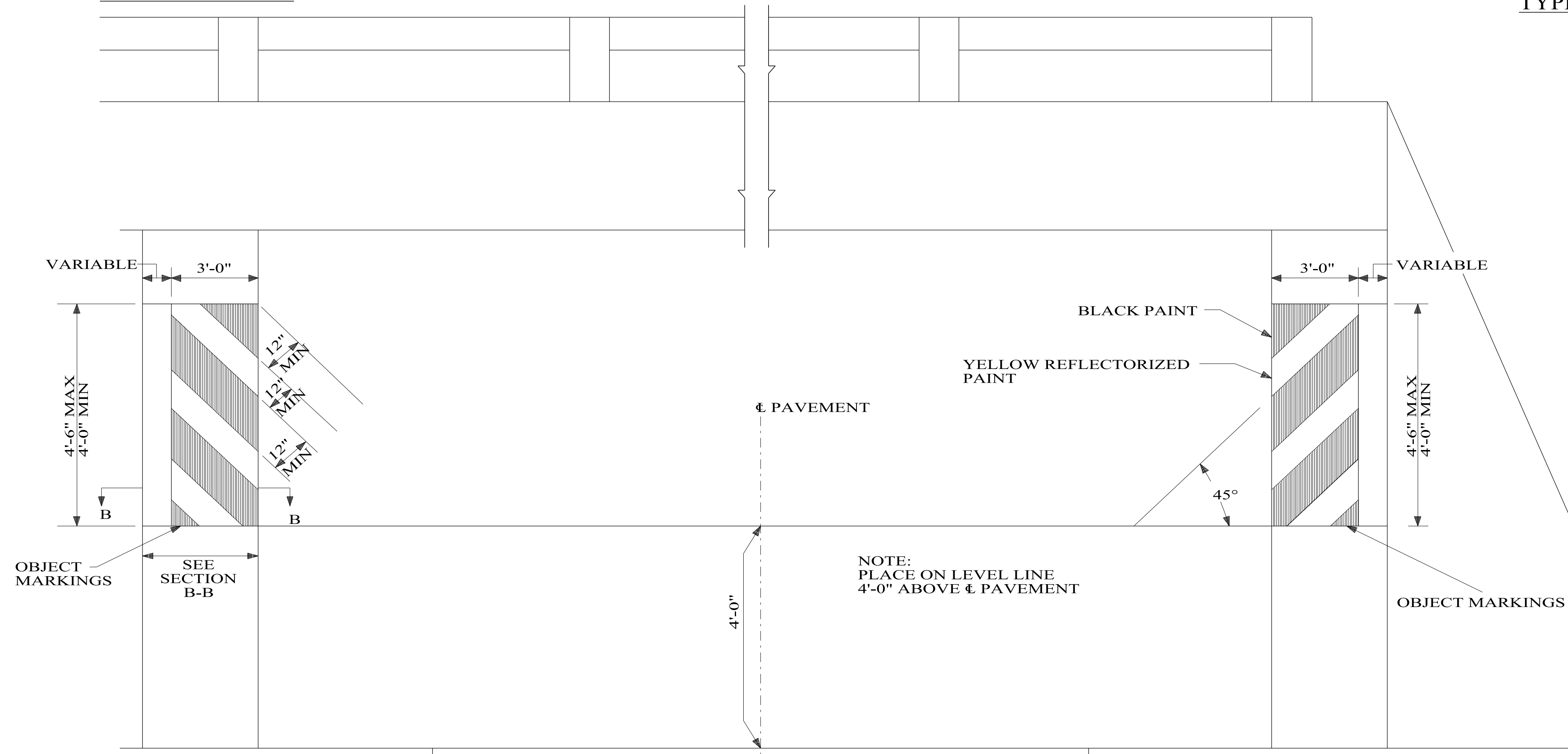
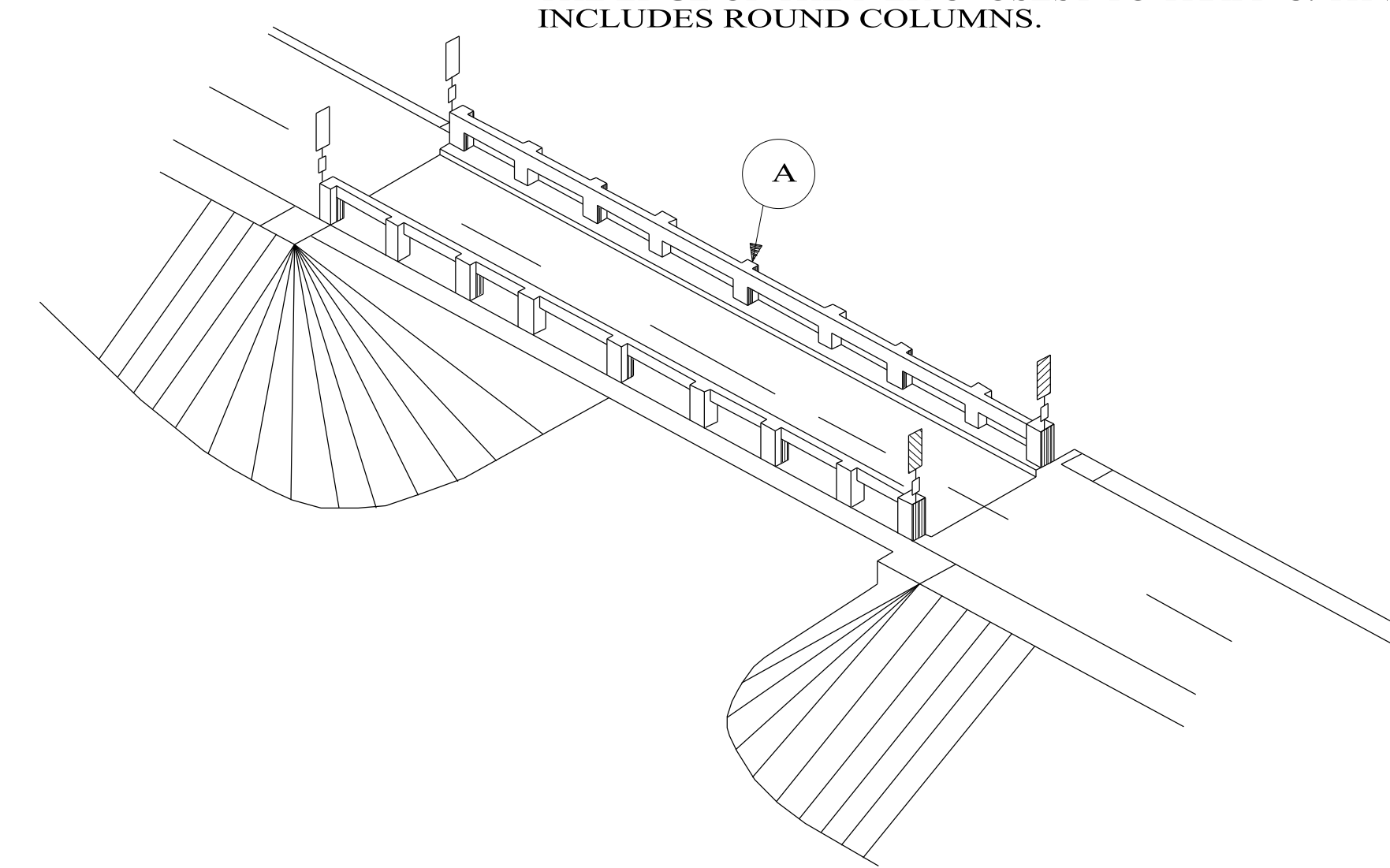
**TYPE "E" INSTALLATION**



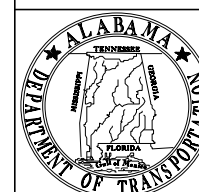
**TYPICAL TREATMENT FOR BRIDGES  
TYPE "B" INSTALLATION**

**GENERAL NOTES**

- HANDRAIL POST AND END POST SHALL BE PAINTED WITH WHITE REFLECTIVE PAINT AS DETAILED ON THIS SHEET FOR BOTH THE RIGHT AND LEFT SIDE HANDRAILS FOR EACH APPROACH.
- PAINT INSIDE EDGE OF POST WITH WHITE REFLECTIVE PAINT. MINIMUM REQUIREMENT IS TO PAINT ONE POST, SKIP ONE POST, PAINT ONE POST, SKIP ONE POST, ETC. AND SHALL HAVE TWO COATS UNIFORMLY APPLIED.
- SIZE AND COLOR OF OBJECT MARKINGS ON BRIDGE PIERS SHALL CONFORM TO THE MANUAL ON UNIFORM TRAFFIC CONTROL DEVICES.
- OBJECT MARKINGS SHALL NOT BE PLACED ON BRIDGE PIERS THAT ARE GREATER THAN 17' FROM EDGE OF TRAVEL WAY AND ADEQUATELY PROTECTED WITHIN THE CLEAR ZONE. OBJECT MARKINGS SHALL BE REQUIRED ON ALL BRIDGE PIERS THAT ARE 17' OR LESS FROM THE TRAVEL WAY REGARDLESS OF BARRIER OR GUARDRAIL PROTECTION.
- OBJECT MARKERS SHALL BE ALIGNED WITH THE EDGE OF THE PIER CLOSEST TO TRAFFIC. THIS INCLUDES ROUND COLUMNS.



**TYPICAL BRIDGE OBJECT MARKINGS DETAILS**



**ALABAMA DEPARTMENT  
OF TRANSPORTATION**  
1409 COLISEUM BOULEVARD  
MONTGOMERY, AL 36130-3050

THIS DRAWING REPRESENTS DESIGNS PREPARED FOR USE BY THE ALABAMA DEPARTMENT OF TRANSPORTATION AND IS NOT TO BE COPIED, REPRODUCED, ALTERED, OR USED BY ANYONE, OR ANY ORGANIZATION, WITHOUT THE EXPRESSED WRITTEN CONSENT OF THE ALABAMA DEPARTMENT OF TRANSPORTATION REPRESENTATIVE AUTHORIZED TO APPROVE THIS USE. ANYONE MAKING UNAUTHORIZED USE OF THIS DRAWING MAY BE PROSECUTED TO THE FULLEST EXTENT OF THE LAW.

**REVISIONS:**  
1. Added to CADD on 10-12-2000 by J.F.T.  
2. Revised General Note #3 and added Note 4 on 5-16-2018 by J.F.T.  
3. Added General Note #5 and Revised "TYPICAL BRIDGE OBJECT SAFETY MARKINGS DETAILS" on 9-24-2018 by J.F.T.  
4. Changed "Hazard" to "Object" and deleted "Safety" throughout to bring in line with MUTCD on 7-7-2021 by D.J.W.

Bureau Std Engr: D.J.W.  
DRAWN BY:  
DATE DRAWN: 8-26-1991  
REVISED DATE: 7-7-2021

DESIGN BUREAU SPECIAL DRAWING  
**BRIDGE PIERS AND BRIDGE ENDS  
REFLECTORIZATON**

NOT TO SCALE

--SPECIFICATIONS-- CURRENT ALABAMA DEPARTMENT OF TRANSPORTATION	
SPECIAL DRAWING NO <b>OM-708</b>	INDEX NO <b>70801</b>